



Shipping & Mailing
Franking Machines

SendPro® C Auto

PCN 7H25A

User Guide

Irish Edition
SV63245-ie Rev.A
19 December 2023

©2023 Pitney Bowes Inc.

All rights reserved. This book may not be reproduced in whole or in part in any fashion or stored in a retrieval system of any type or transmitted by any means, electronically or mechanically, without the express written permission of Pitney Bowes.

The use of this information by the recipient or others for purposes other than the training of customers on Pitney Bowes equipment may constitute an infringement of intellectual property rights of Pitney Bowes, and Pitney Bowes assumes no responsibility for any such use of the information.

We have made every reasonable effort to ensure the accuracy and usefulness of this manual. However, we cannot assume responsibility for errors or omissions or liability for the misuse or misapplication of our products.

Except as provided in writing, duly signed by an officer of Pitney Bowes, no license either express or implied, under any Pitney Bowes or third party's patent, copyright or other intellectual property rights is granted by providing this information.

PB Postage™ is a trademark of Pitney Bowes Inc.

Table of Contents

1 - Installation

Installing a scale	8
Installing an external scale	8
Installing the printhead	11

2 - Connectivity

Setting up a wired network connection	17
Setting up a wireless (Wi-Fi) network connection	19
Connecting to a hidden Wi-Fi network	20
Forgetting a Wi-Fi network	22
Checking your network connection	23
Finding the MAC address for wired and wireless networks	24
Setting up a Proxy server	28

3 - Scales and Weighing

Using the scale when printing postage	32
Entering the weight manually when printing postage	32
Zeroing the scale	33
Using Scale Stabilization	34
Using Differential Weighing	35
Editing the Differential Weighing threshold	37

4 - Accounting

What is Accounting	40
Adding an account	41

Turning account passwords on or off for printing postage	42
Selecting an account	42
Editing an account	43
Making an account inactive	43
Deleting an account	43

5 - Postage Funding

Checking the available funds for printing postage	46
Refilling postage funds for printing postage	47
Getting a An Post refund for damaged or incorrectly printed mail in Print on Envelopes	48
Changing the default refill amount for printing postage	49
Setting the low funds warning for printing postage	50

6 - Mailing

Sending post by Standard Mail	52
Key in postage	52

7 - Sealing

Filling the moistener tank	54
Sealing envelopes and printing postage	55
Sealing envelopes without printing postage	56
Avoiding envelope sealing issues	57
Cleaning the moistener brush and wick assembly	59

8 - History and Reports

Viewing and printing a postage refill receipt	68
Viewing the total spent on printing postage	68
Printing a funds report	68
Running postage printing account reports	69
Setting the report period for an account	69
Setting the account report preferences	70
Emailing an account report	71

9 - Printing

What are print modes	74
Printing a custom or standard graphic	74
Adding a custom text message	77
Printing a graphic without printing postage	77
Printing postage on tapes	78
Printing only the date and time	78
Printing a test pattern	79

10 - Feeding and Jamming

Feeding envelopes	82
-------------------------	----

11 - Ink

Checking the ink level	86
Ordering ink cartridges	86
Replacing the ink cartridge	87

12 - Settings

What are presets	90
Adding presets	90
Selecting a preset	91
Modifying presets	91
Setting the default preset timer	92
Deleting a Preset	93
Advancing the date	94
Adjusting display brightness	94
Adjusting the scale location code	95
Clearing or resetting the number of mailpieces sent	96
Creating or disabling the security PIN	97
Uploading postage transactions	98
Uploading system logs	99

13 - Rate Change

Updating postal rates or software	102
---	-----

14 - Maintenance

Cleaning the printhead	105
Cleaning the moistener brush and wick assembly	109
Supplies	117

15 - Product Information

Finding the Product Code Number (PCN) and serial number	119
Navigating the Home screen	120
Navigating the Print on Envelopes app	120
Connections on the back	122
An Post requirements	122
Parts of the SendPro C Auto	123
Parts of a postal frank	124
Postal Security Device	124
Specifications	125
Material specifications	128
Moving the SendPro C Auto	130
Safety	131
Contacting Pitney Bowes	133
Third party software	134

1 - Installation

In this section

Installing a scale.....	8
Installing an external scale.....	8
Installing the printhead.....	11

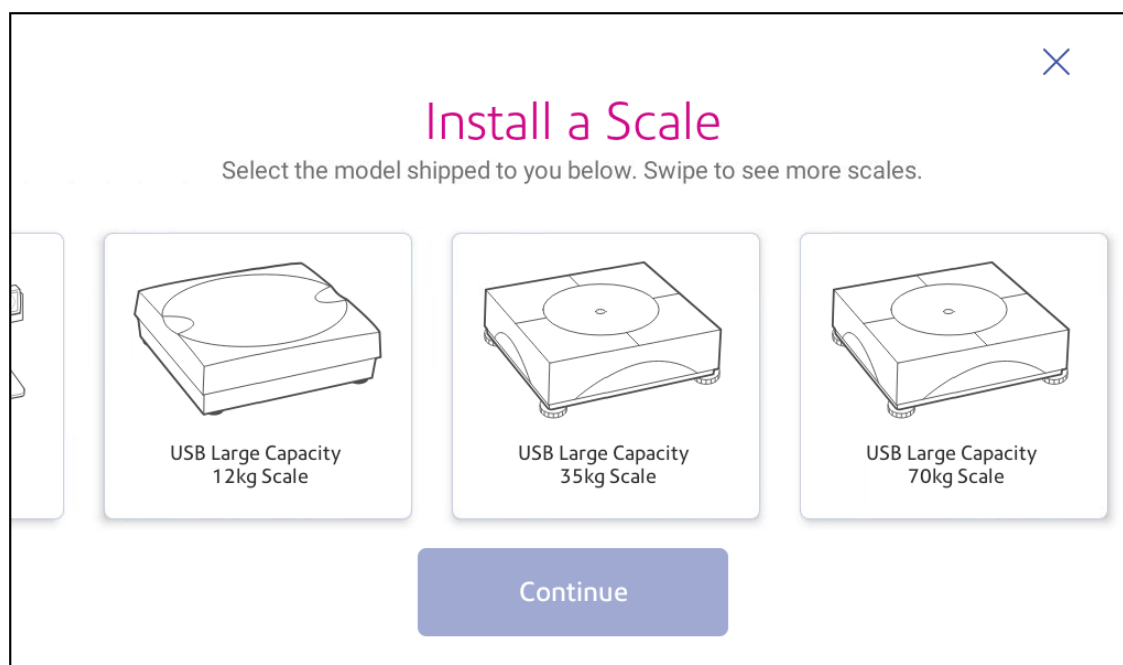
Installing a scale

Install a scale if you did not install one when you installed your device. Your device contains step-by-step installation instructions for compatible scales.

1. Tap **Settings**.



2. Scroll to the Advanced Device Options section at the bottom of the Settings screen, then tap **Scale Installation Guides**.
3. To view all the available scales, swipe to the left on the screen.



4. Tap to select the appropriate scale, then tap **Continue**.
5. Follow the instructions on the screen. To advance to the next step, swipe the screen to the left.

Installing an external scale

Use an external scale if you send large packages or parcels. External scales have a larger weight capacity for heavier items.

1. If you are using the scale that is located on top of the device, remove the scale by lifting it off.



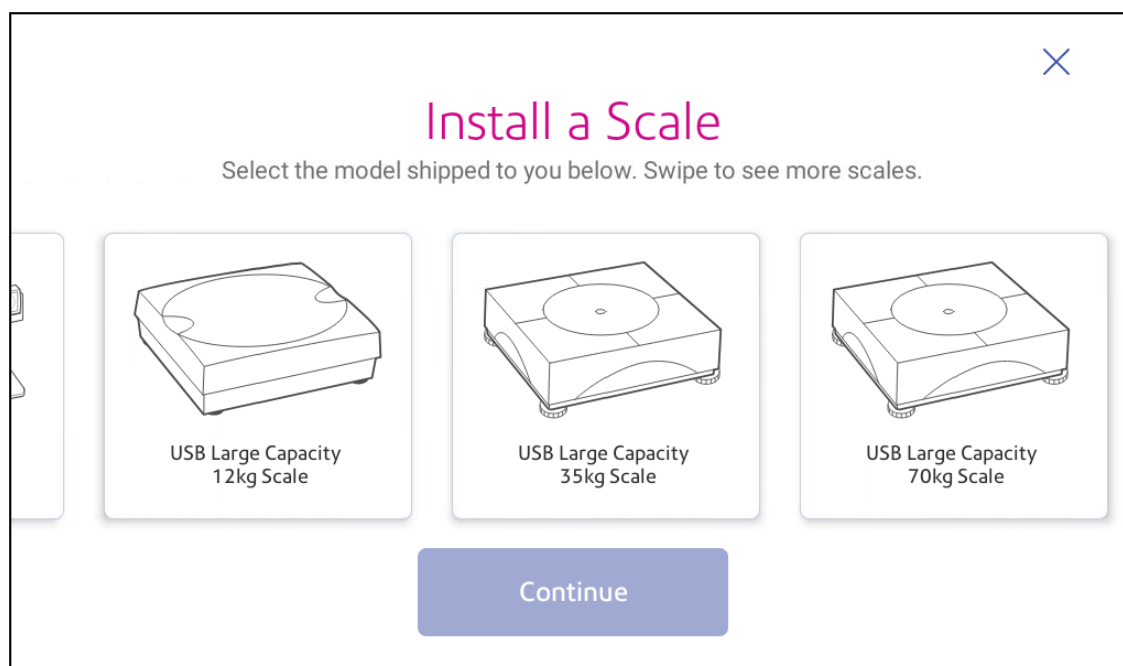
2. Fix the blanking plate on the device where the scale was located.



3. Tap **Settings**.



4. Scroll down and tap **Scale Installation Guides**.
5. Swipe to the left and select the scale you are installing.



6. Tap **Continue**.
7. Following the on-screen instructions. Swipe to the left and unbox the scale.
8. Position and level the scale. The scale has a level bubble under its lid. Ensure the bubble is within the circle of the level bubble by adjusting the round feet of the scale.
9. Connect the large end of the USB cable into the device. Connect the other end into the scale.
10. Tap **Continue**.
11. Tap **Verify**.
12. Tap **Got It**.
13. Tap **Print on Envelopes**.
14. Tap **Weight**, then tap **Scale**.
15. Place the mail on the scale.
16. Tap **Apply**.

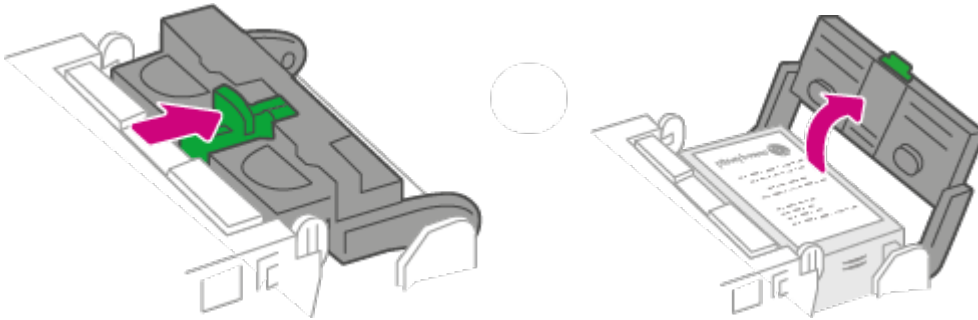
Installing the printhead

You may need to install a new printhead when the existing printhead is producing poor print quality.

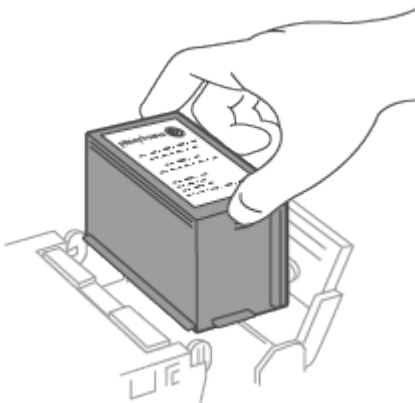
1. Tap **Settings**.



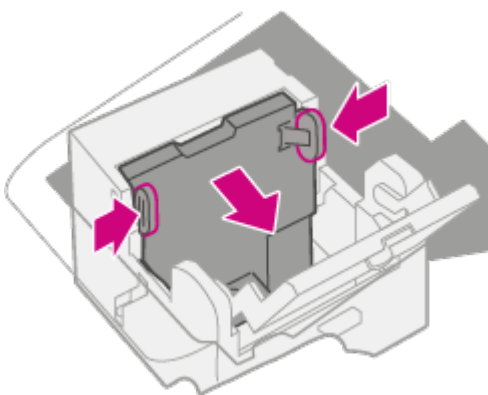
2. Scroll down and tap **Envelope Printer Maintenance**.
3. Tap **Install Printhead**.
4. Lift the cover. The ink cartridge moves to the front position.
5. Flip the ink cartridge cover open.



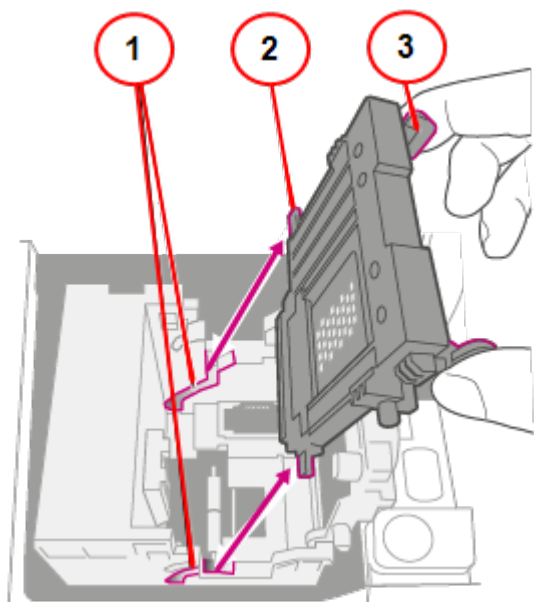
6. Remove the ink cartridge.



7. Squeeze the two gray tabs on either side of the printhead.

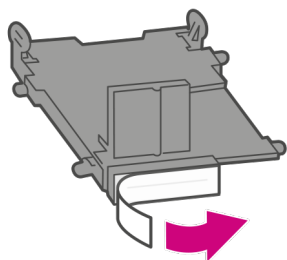
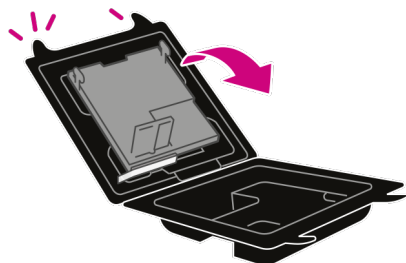


8. While squeezing, lift and tilt the printhead to the right. The printhead should come up out of the device.



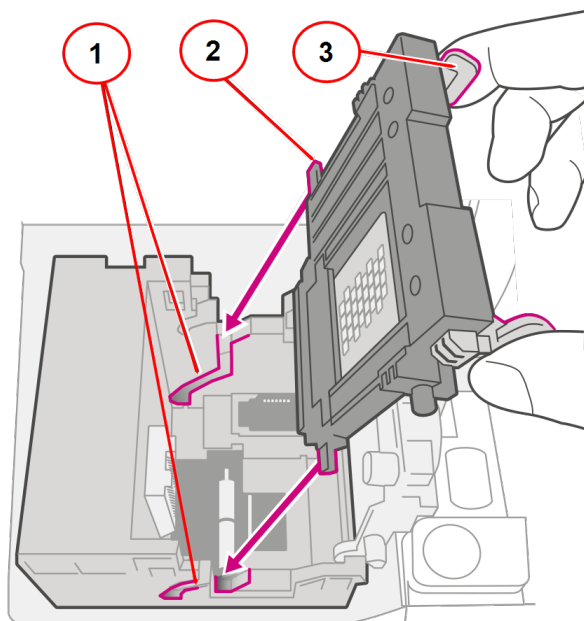
1. Grooves.
2. Peg.
3. Tab.

9. Unwrap the new printhead and remove the protective strip.



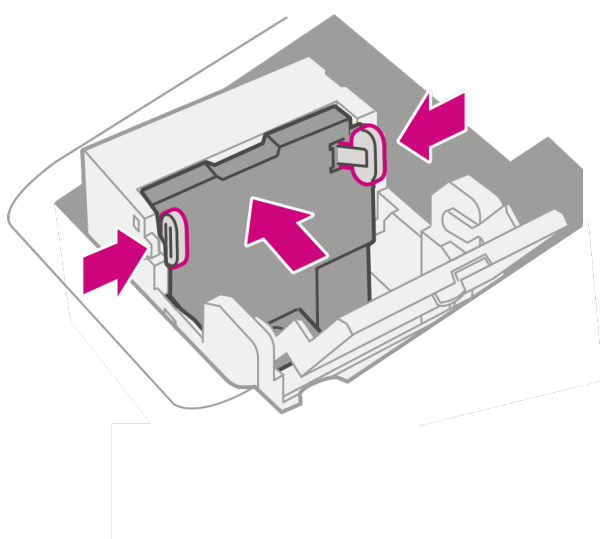
10. Squeeze the tabs and slide the printhead pegs into the lower set of grooves.

Warning: If you do not seat the printhead correctly it can damage the device.

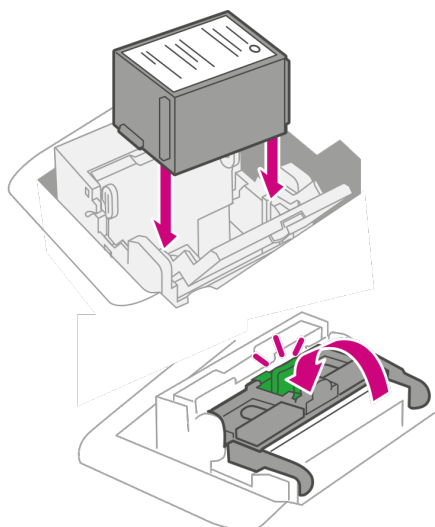


1. Grooves.
2. Peg.
3. Tab.

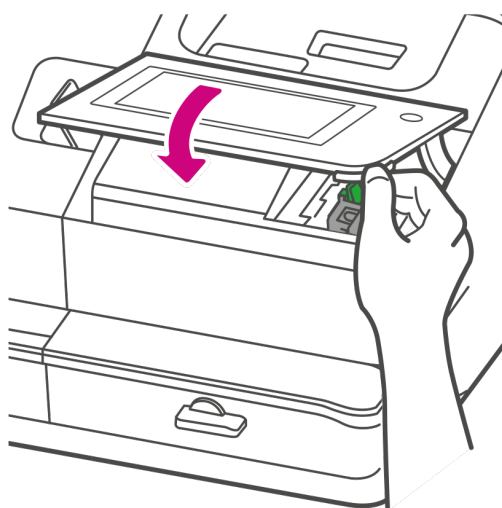
11. Keep squeezing the tabs and push the printhead flush against the wall. Tabs will snap outward when placed correctly.



12. Install the ink cartridge and close the guard.



13. Close the cover. The ink cartridge moves back to the original position.



14. Tap **Done**.

15. Print a print test pattern to be sure that your printhead is working properly.

2 - Connectivity

In this section

Setting up a wired network connection.....	17
Setting up a wireless (Wi-Fi) network connection.....	19
Connecting to a hidden Wi-Fi network.....	20
Forgetting a Wi-Fi network.....	22
Checking your network connection.....	23
Finding the MAC address for wired and wireless networks.....	24
Setting up a Proxy server.....	28

Setting up a wired network connection

Use a network cable to connect your device to the Pitney Bowes Data Center.

Step 1: Plug in your network cable

Plug one end of your network cable to your device and the other end to an internet jack on the wall or a router.

Step 2: Choose the connection type

Select one of the two connection types supported for this device:

- *DHCP*
- *Static IP*

DHCP is the most common connection type. Choose DHCP if you are unsure which connection protocol to use or contact your IT department for advice.

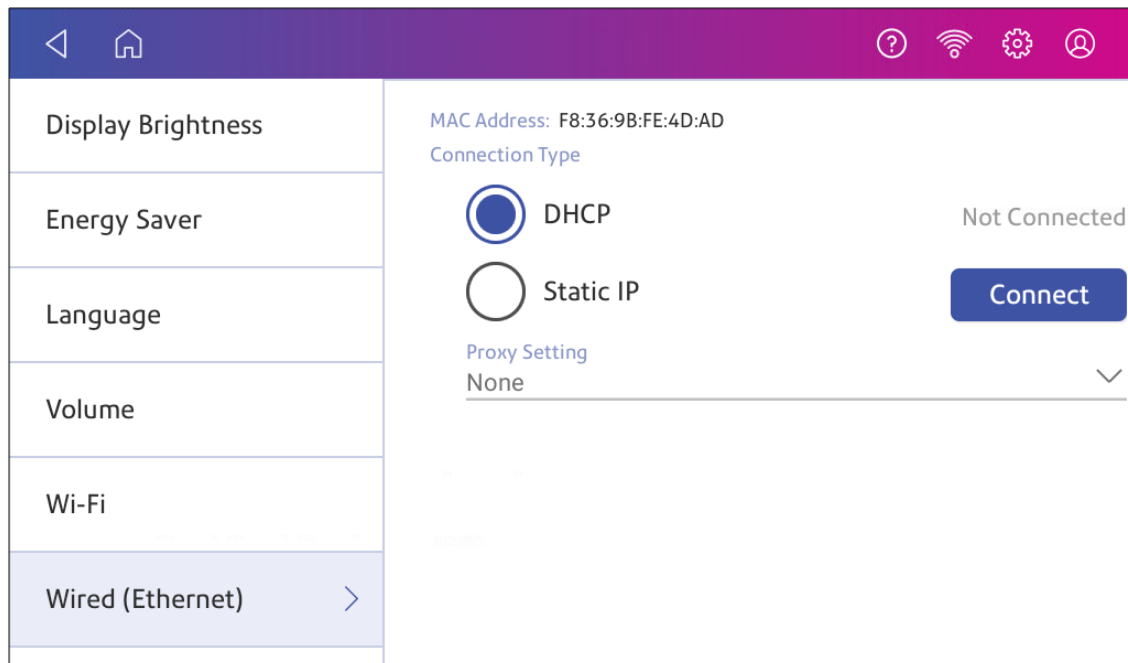
DHCP

1. Tap **Settings**.



2. Tap **Wired**.

3. Select **DHCP**.



4. Tap **Connect**.
5. If it does not connect, unplug the power cord.
6. Wait 30 seconds. The screen should turn off after 10 seconds.
7. Plug the power cord back in directly into a wall outlet.
8. Quickly tap and release the power button to turn the device back on.
9. Tap **Settings**.



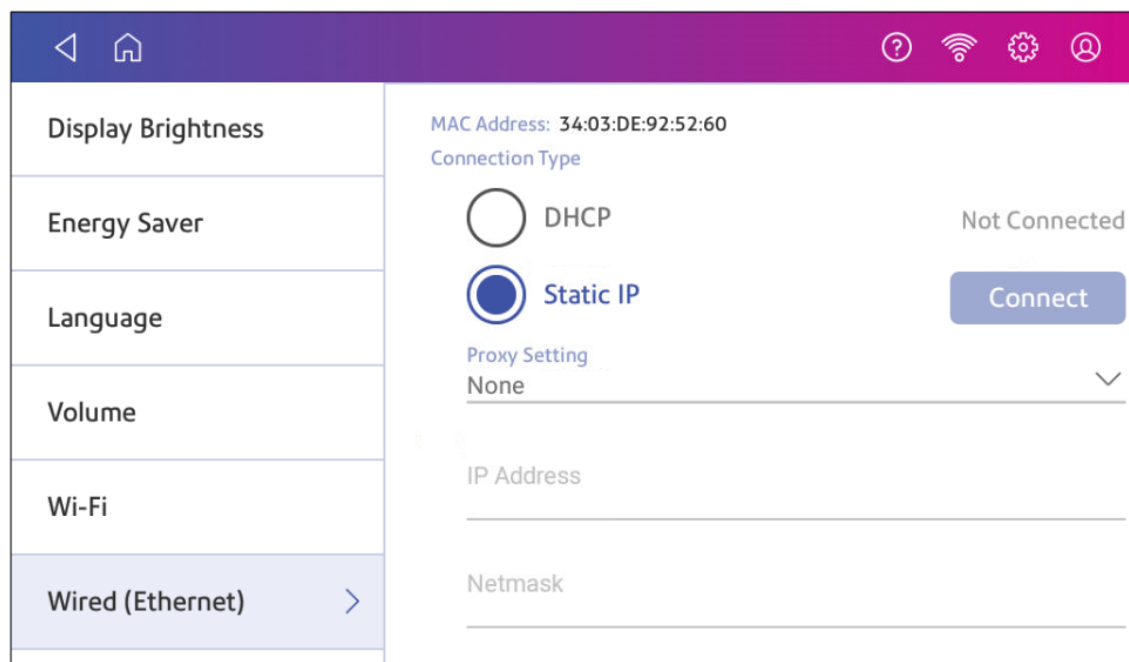
10. Tap **Wired (Ethernet)**.
11. Tap **DHCP**.
12. Tap **Connect**.

Static IP

1. Tap **Settings**.



2. Tap **Wired**.

3. Select **Static**.

4. Contact your IT department to obtain the settings you will need to enter for your device. The values needed are:
 - **IP Address**
 - **Netmask**
 - **Gateway**
 - **DNS Address.**
5. Enter the settings you obtained in step 4 for the **IP Address**, **Netmask**, **Gateway**, and **DNS Address** in the corresponding fields.
6. Tap **Connect**.
7. If the device fails to connect, remove the network cable from the back of the device.
8. Tap **Connect**. Wait for the attempted connection to fail.
9. Plug the network cable back in.
10. Delete the values in the **IP Address**, **Netmask**, **Gateway**, and **DNS Address** fields.
11. Enter the **IP Address**, **Netmask**, **Gateway**, and **DNS Address** that you obtained in step 4.
12. Tap **Connect**.

Setting up a wireless (Wi-Fi) network connection

You can connect your device with a wireless network connection.

1. Tap **Settings**.



2. Tap **Wi-Fi** in the Device & Network section.
3. Choose your Wi-Fi network from the list. Tap **Add Network** if your Wi-Fi network does not appear.
4. Enter your Wi-Fi password.
Tip: Use the show password option to make sure that you enter your password correctly.
5. Tap **Advanced Options** if your network requires advanced network settings such as a Static IP address:
 - To set up a Static IP address:
 - a. Select the **IP Setting** menu and choose **Static**.
 - b. Tap on the line and enter the value provided by your IT department.
 - c. Tap the > in the green circle.

Connecting to a hidden Wi-Fi network

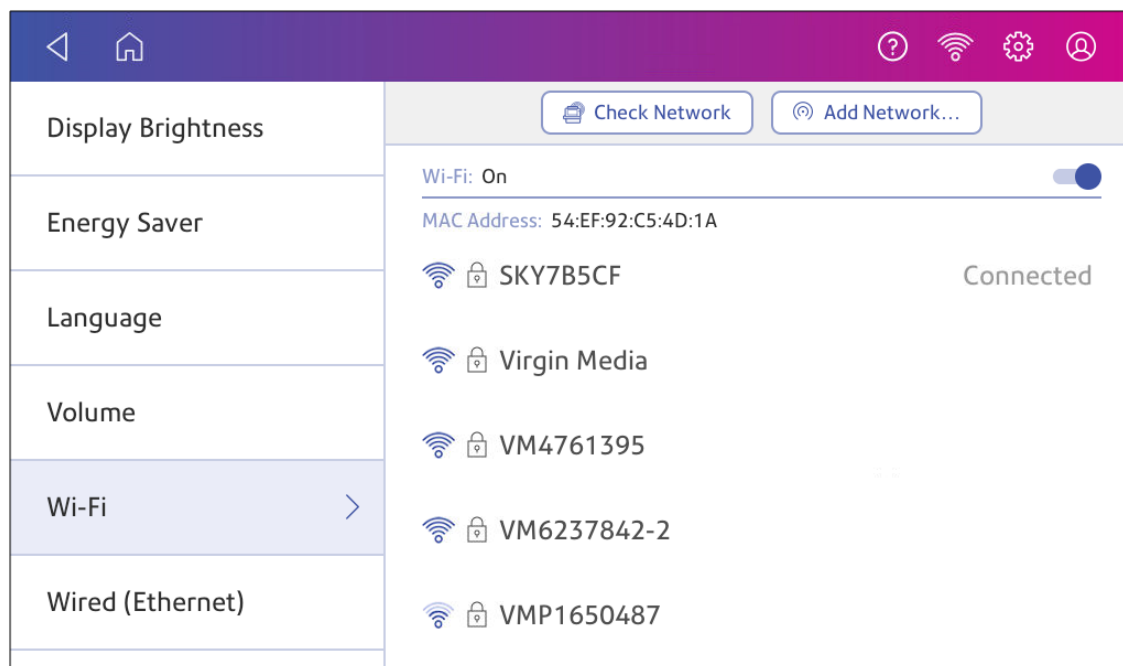
Add a network when you want to connect using Wi-Fi and your network is not present in the Wi-Fi list.

1. Tap **Settings**.

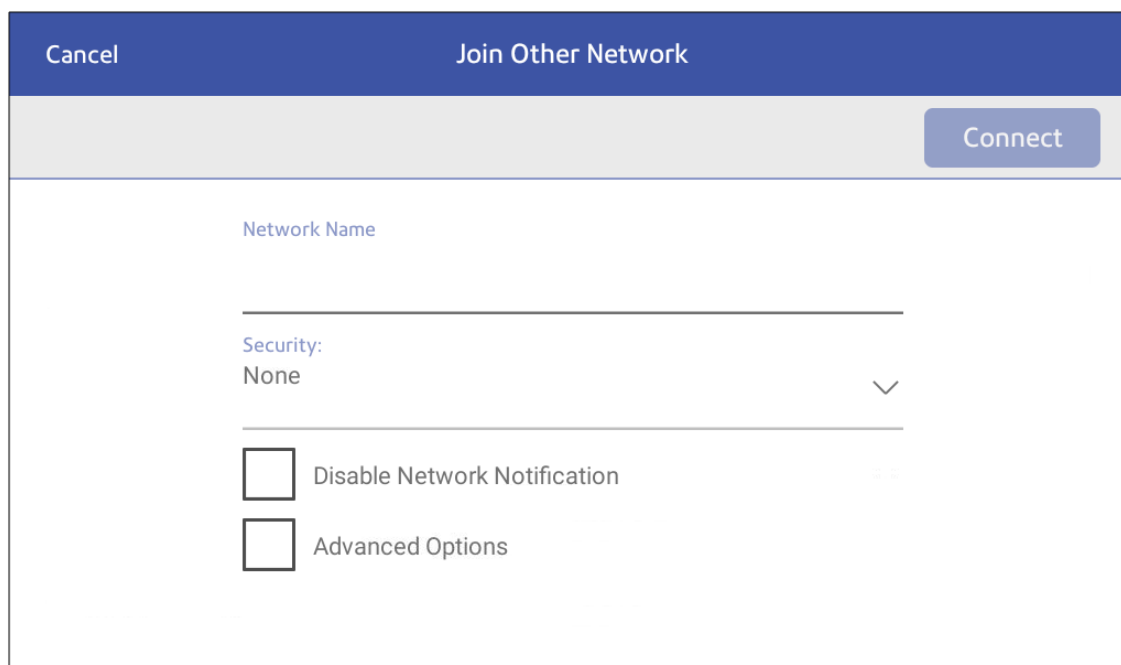


2. Tap **Wi-Fi** in the Device & Network section to see a list of available networks.

3. Tap **Add Network** at the top of the Wi-Fi screen.



4. For each of the following steps, please consult with your IT department to obtain the necessary information.
 - a. Tap the down arrow in the Security field and select the security method.



- b. Tap **Advanced Options** to enter a static IP or set up a proxy.
5. Tap **Connect** when done.

Forgetting a Wi-Fi network

Forget a Wi-Fi network if:

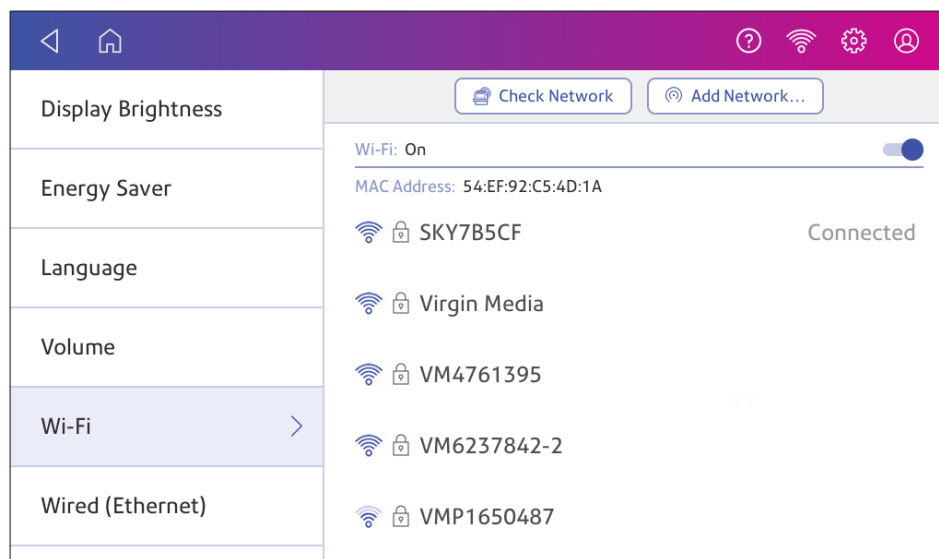
- You do not want your device to automatically connect to that network or
- You need to resolve a wireless network issue.

1. Tap **Settings**.

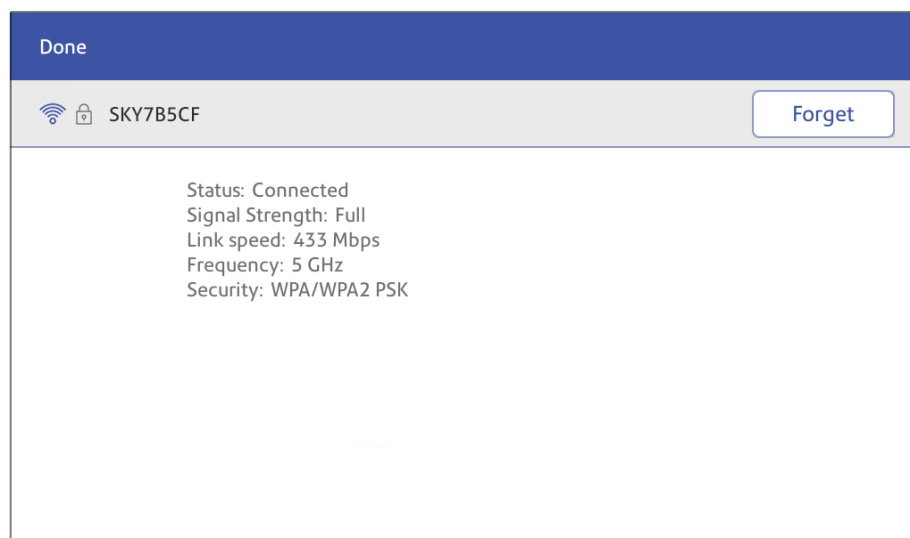


2. Tap **Wi-Fi** in the Device & Network section.

3. Tap the network you want to forget. Note that you can only forget a network to which you have previously connected.



The network details appear.



4. Tap **Forget** to forget the network connection.

Checking your network connection

Use the Network Connection app to check that you have the necessary internet services to connect to the internet. The app helps diagnose network connection issues.

Your IT department may be blocking certain services. Only they will know if the necessary services are available on your network.

1. To open and run the network checking app:
 - Tap **SendPro Apps** on the Home screen, then tap **Network Connection**.
2. The device then provides you with the results of the network check.
3. Tap **Close** twice to return to the Home screen.

If you are unable to connect to the internet, ask your IT department or internet provider to check the internet settings before you contact Pitney Bowes.

Finding the MAC address for wired and wireless networks

The MAC address is the network identifier for the device. IT uses it to allow the device onto the network.

Your device contains two MAC addresses: One for wireless connections and one for wired connections.

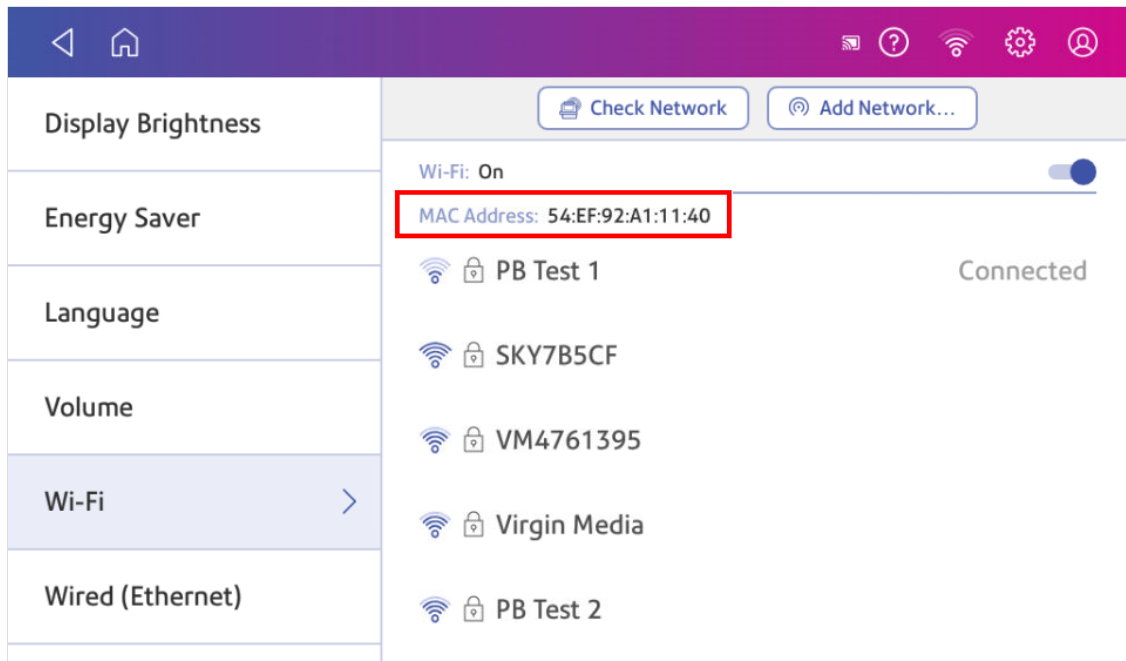
Locating the MAC address for wireless connections

1. Tap **Settings**.



2. Tap **Wi-Fi**.

- The MAC address appears above the list of wireless networks.

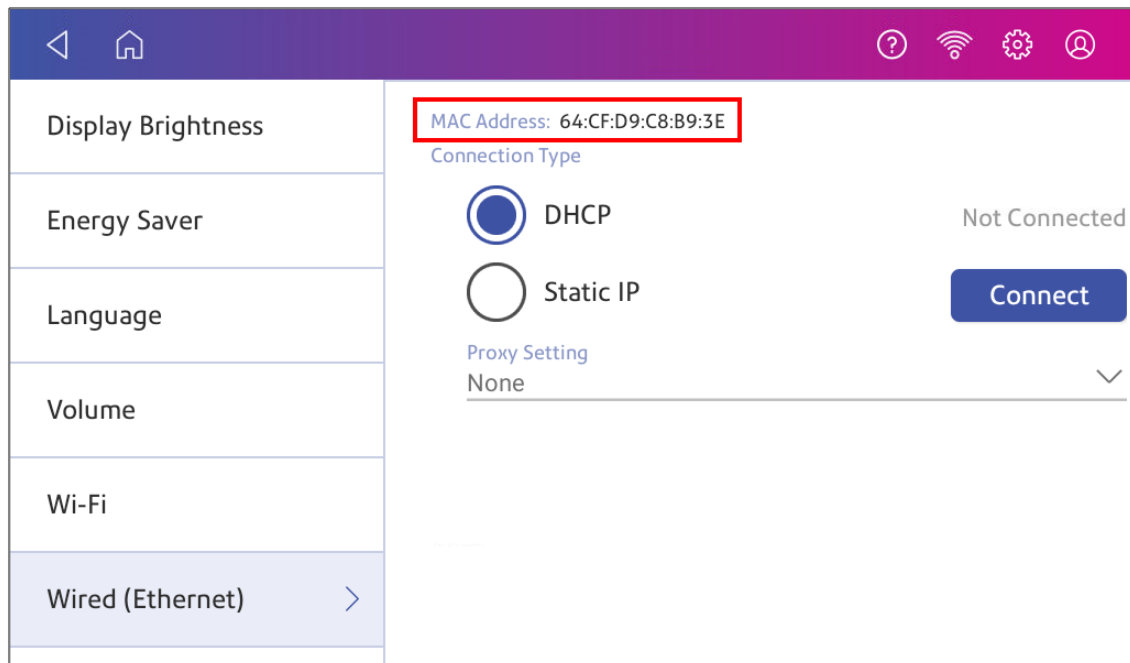


Locating the MAC address for wired connections

- Tap **Settings**.

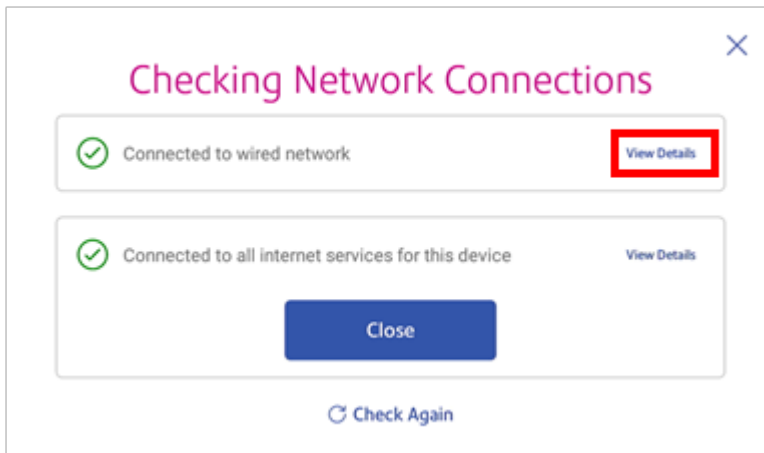


2. Tap **Wired (Ethernet)**. The MAC address is present at the top of the screen.

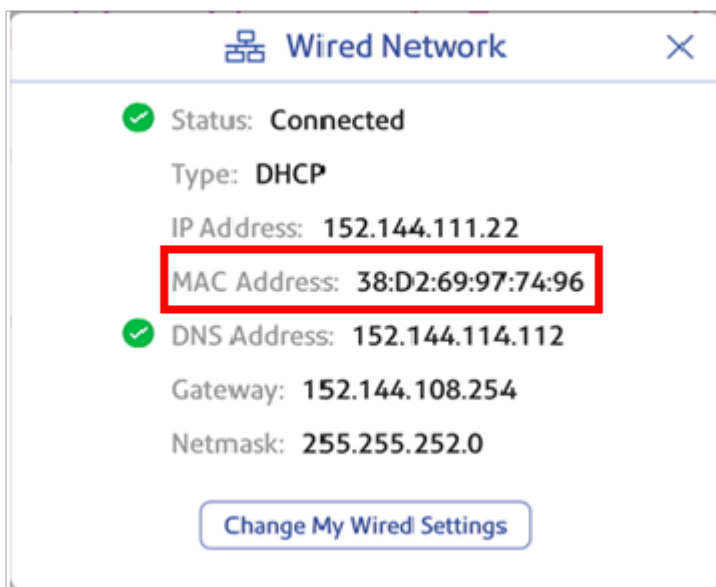


3. Tap **Check Network**. The Checking Network Connection screen appears.

4. Tap **View Details** in the Connected to wired network box when the test finishes.



The MAC address appears:



5. Tap **X** to close this window.
6. Tap **Close**, then the **back arrow** to return to the Home screen.

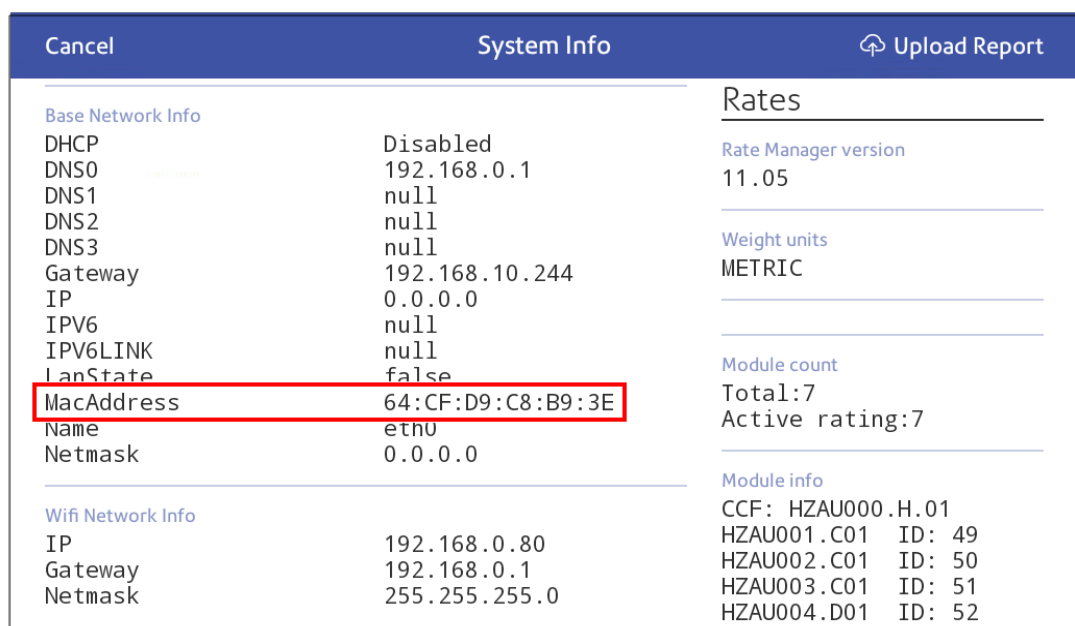
If the MAC address does not appear, try these steps:

1. Tap **Settings**.



2. Scroll down to the Advanced Device Options section and tap **About This Device**.

3. Scroll down to the Base Network Info section to locate the MAC Address.



4. Tap **Cancel** to return to the Home screen.

Setting up a Proxy server

A Proxy server is a computer that acts as a gateway between your local network, your device, and the internet. Proxy servers provide increased performance and security.

If your network requires a proxy server, you must contact your IT department or service provider to obtain the proxy server information to set up a proxy server.

Choose the connection type

Choose how you connect your device to set up a Proxy server:

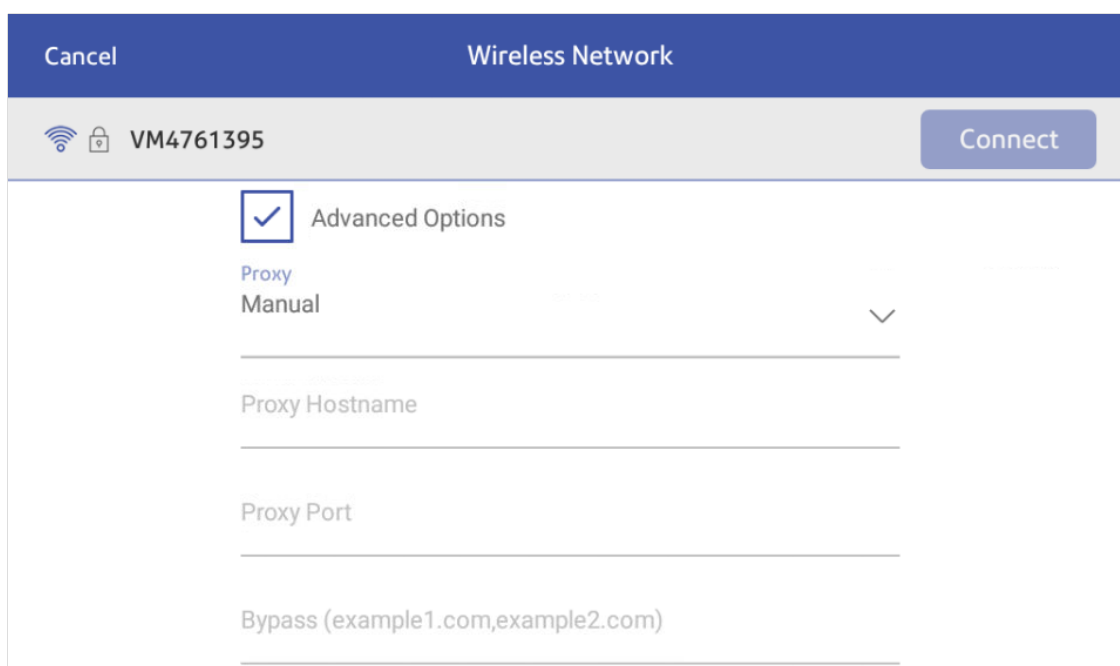
- [Setting up a Proxy server using a Wi-Fi network connection](#)
- [Setting up a Proxy server using a wired network connection](#)

Setting up a Proxy server using a Wi-Fi network connection

1. Tap **Settings**.



2. Tap **Wi-Fi** in the Device & Network section.
3. Select the network from the list.
4. Tap on the **Advanced Options** checkbox to select it.
5. Scroll down and tap the arrow next to Proxy, then select **Manual**.



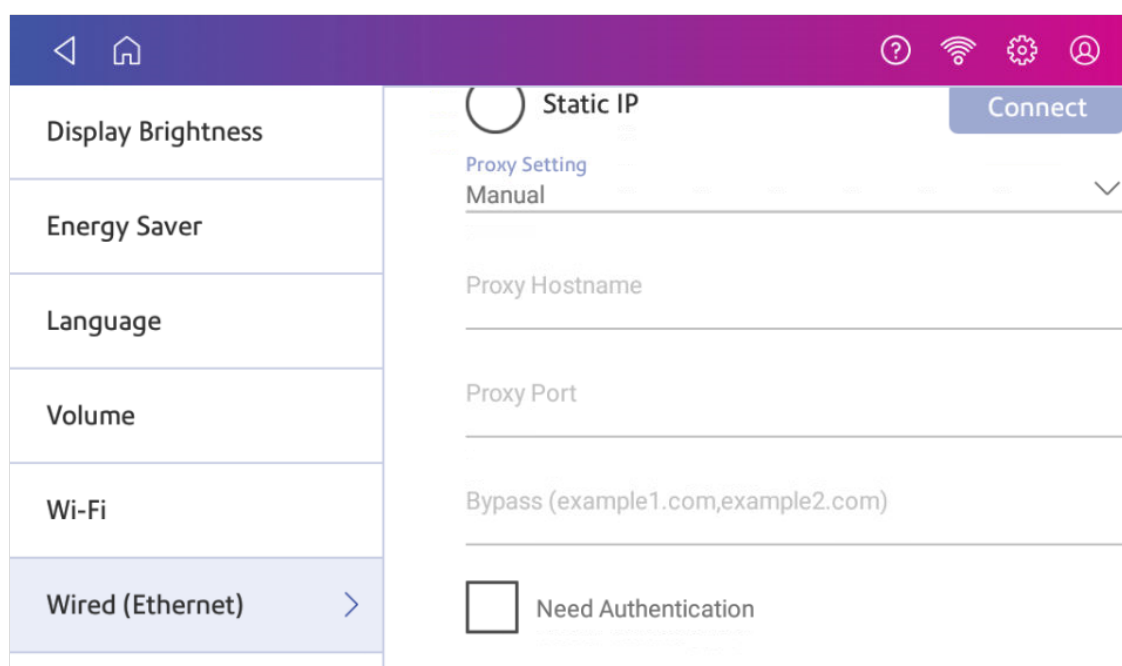
6. Enter the IP address, HTTP or HTTPS proxy address of your proxy server in the **Proxy Hostname** field.
7. Enter the port number for the proxy server in the **Proxy Port** field.
8. (Optional) Enter any specific URLs or URL patterns (such as internal addresses) that you wish to bypass the proxy in the **Bypass** field.
9. If your Proxy Server requires authentication, select the **Need Authentication** check box. Additional fields appear.
 - a. Enter the Proxy username in the **Proxy Username** field. This may be case sensitive for some proxy servers.
 - b. Enter the Proxy password in the **Proxy Password** field. This is case sensitive for proxy servers.

Setting up a Proxy server using a wired network connection

1. Tap **Settings**.



2. Tap **Wired (Ethernet)** in the Device & Network section.
3. Select either **DHCP** or **Static IP**.
4. If you select DHCP, tap on the drop-down arrow next to Proxy Setting and select **Manual**.



5. Enter the IP address, HTTP or HTTPS proxy address of your proxy server in the **Proxy Hostname** field.
6. Enter the port number for the proxy server in the **Proxy Port** field.
7. (Optional) Enter any specific URLs or URL patterns (such as internal addresses) that you wish to bypass the proxy in the **Bypass** field.
8. If your Proxy Server requires authentication, select the **Need Authentication** check box. Additional fields appear.
 - a. Enter the Proxy username in the **Proxy Username** field. This may be case sensitive for some proxy servers.
 - b. Enter the Proxy password in the **Proxy Password** field. This is case sensitive for proxy servers.

3 - Scales and Weighing

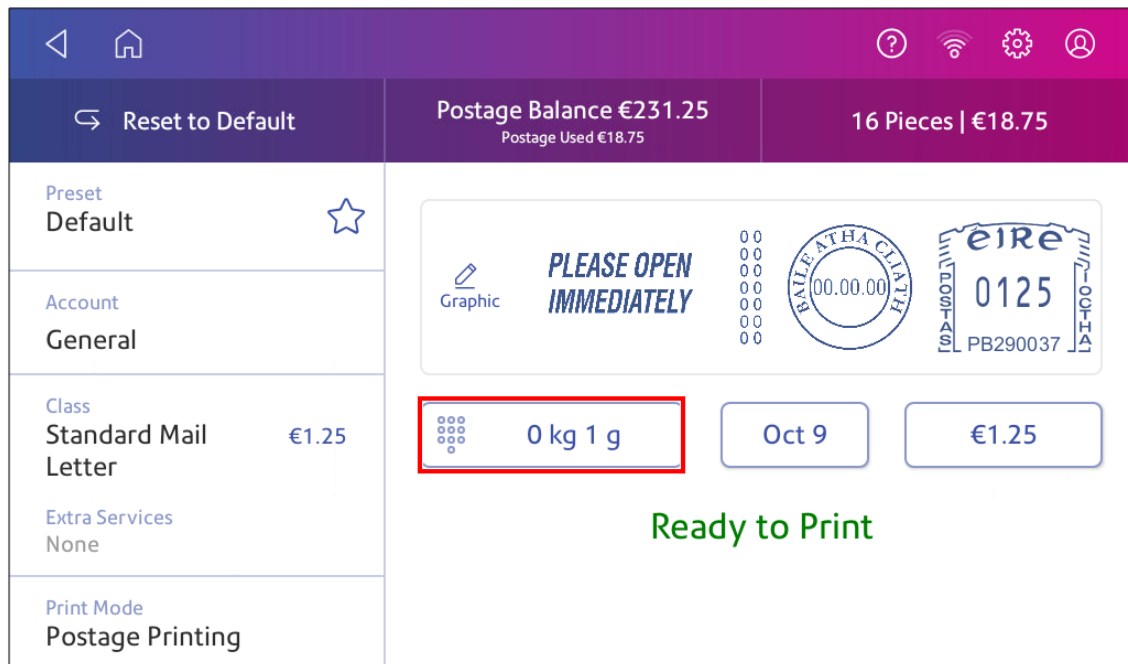
In this section

Using the scale when printing postage.....	32
Entering the weight manually when printing postage.....	32
Zeroing the scale.....	33
Using Scale Stabilization.....	34
Using Differential Weighing.....	35
Editing the Differential Weighing threshold.....	37

Using the scale when printing postage

Use the scale to weigh your mail and calculate the correct postage for you.

1. Tap **Print on Envelopes** on the Home screen.
2. Tap **Weight**.

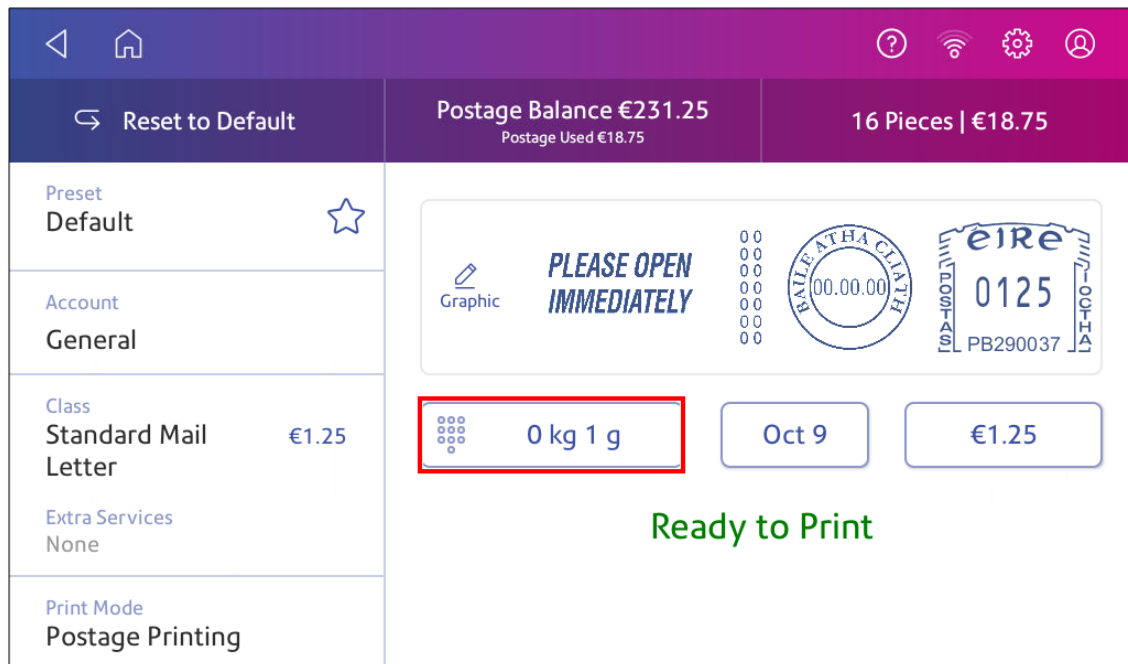


3. Tap **Scale**.
4. Place the envelope on the scale. You must do this before the next step or else the **Apply** button remains inactive.
5. Tap **Apply**.
6. Tap **Class**.
7. Select **Start Over** to show the class options.
8. Tap the class you want.
9. Select special services, if required.
10. Tap **Apply**.
11. Place the envelope or envelopes on the feed deck. Depending on the SendPro C model you have, feed the envelopes manually or tap **Start** to feed the envelopes.
12. The scale retains the weight of the mail for approximately 70 seconds. Add another mailpiece to the scale if you want to override the weight.

Entering the weight manually when printing postage

Enter the weight of a mailpiece when you know its weight and are not using the scale.

1. Tap **Print on Envelopes** on the Home screen.
2. Tap **Weight**.



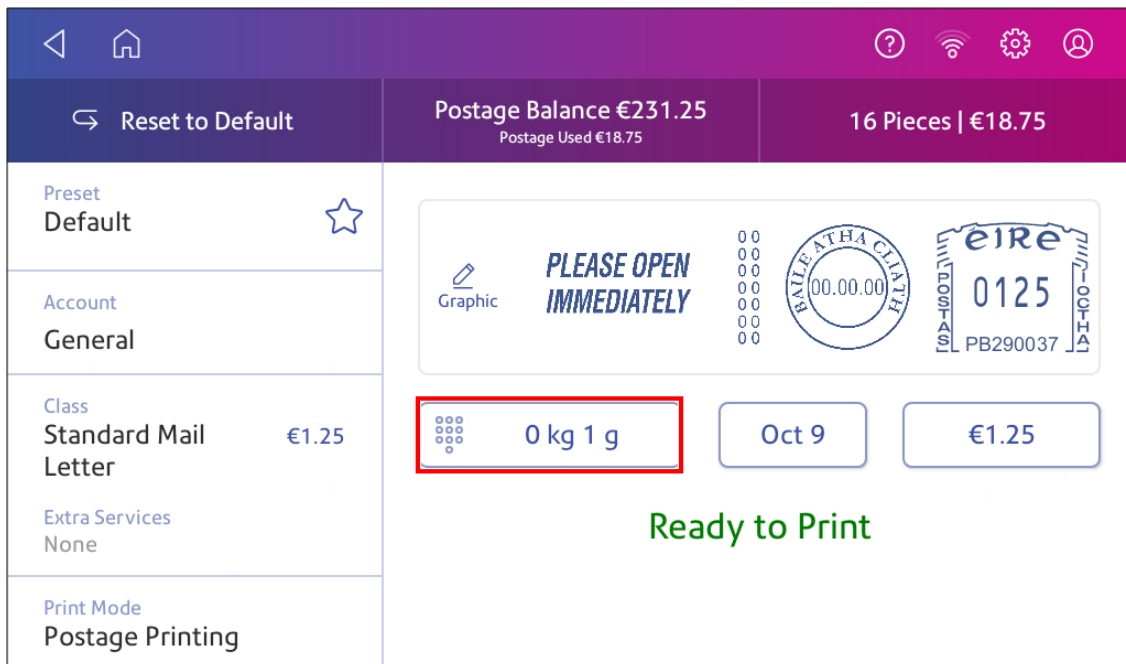
3. Tap **Manual**.
4. Enter the **kilograms** and **grams**.
5. Tap **Apply**.
6. Tap **Class**.
7. Tap **Start Over** to see all the class options.
8. Select the class and any special services required.
9. Tap **Apply**.
10. Place the envelope or envelopes on the feed deck. Depending on the SendPro C model you have, feed the envelopes manually or tap **Start** to feed the envelopes.

Zeroing the scale

Zero the scale to set the weight to zero.

Make sure there is nothing on the scale when you zero it.

1. Tap **Print on Envelopes** on the Home screen.
2. Tap **Weight**.



3. Tap **Scale** on the weighing method screen.
4. Tap **Zero Scale**.
5. Tap **Cancel** to return to the Print on Envelopes app.

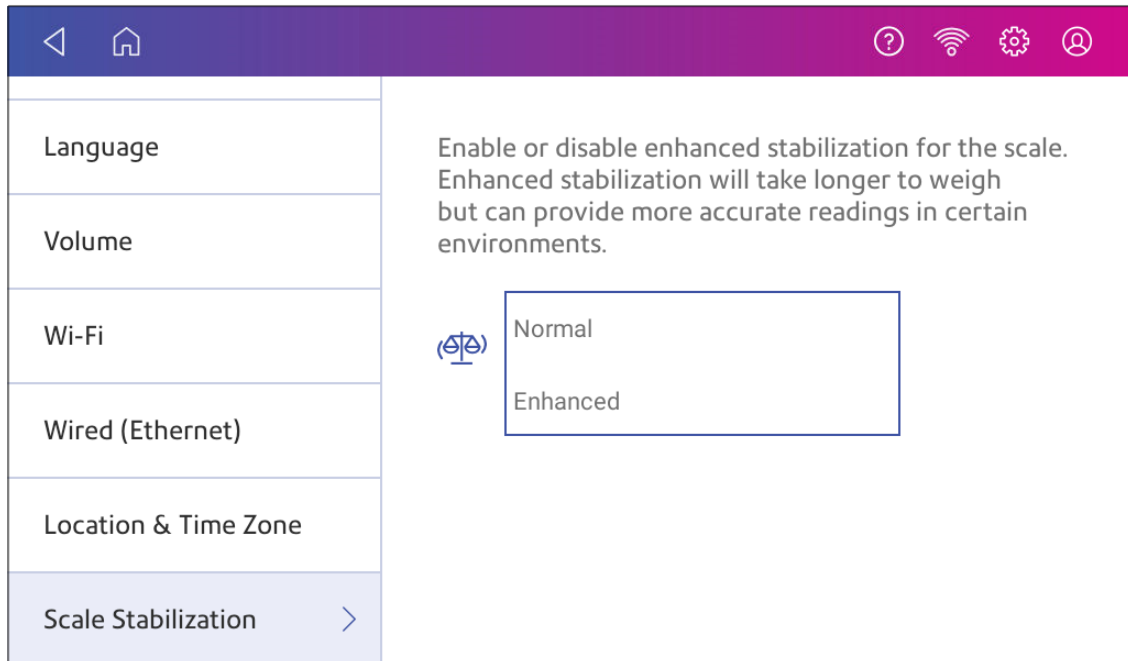
Using Scale Stabilization

If your device is close to an air conditioning unit, fan, draughts or is not on a stable surface, use Scale Stabilization to help prevent weighing issues and provide more accurate readings.

1. Tap **Settings**.



2. Scroll down to the Advanced device Options section.

3. Tap **Scale Stabilization**.4. Tap **Enhanced**.

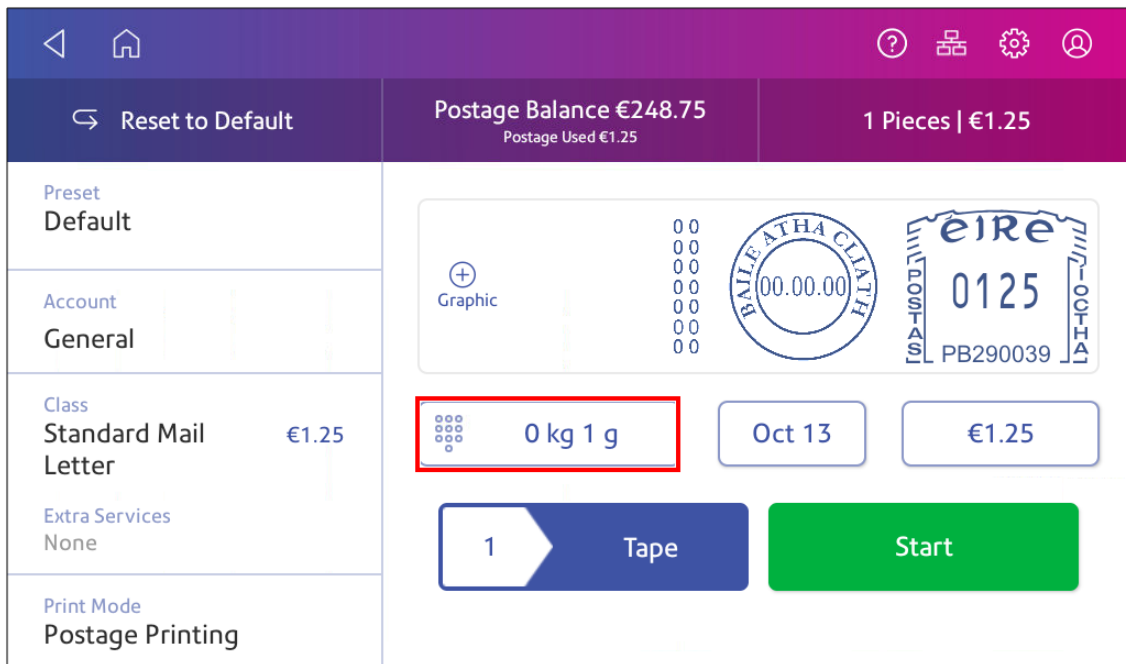
5. Tap the back arrow to return to the Home screen.

Using Differential Weighing

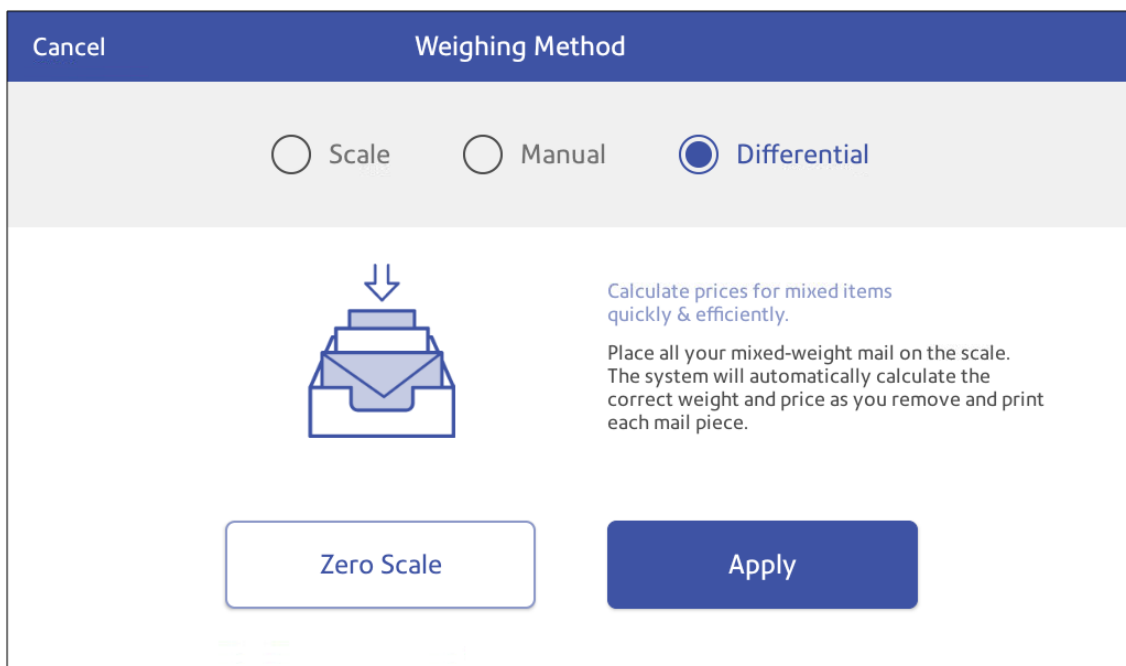
You can use Differential Weighing to process mixed weight mail more efficiently. Your device calculates the correct weight and price as you remove each mailpiece from the scale.

For large envelopes or parcels, use Differential Weighing to print a tape every time you remove a mailpiece from the scale.

1. Tap **Print on Envelopes** on the Home screen.
2. Tap **Weight**.

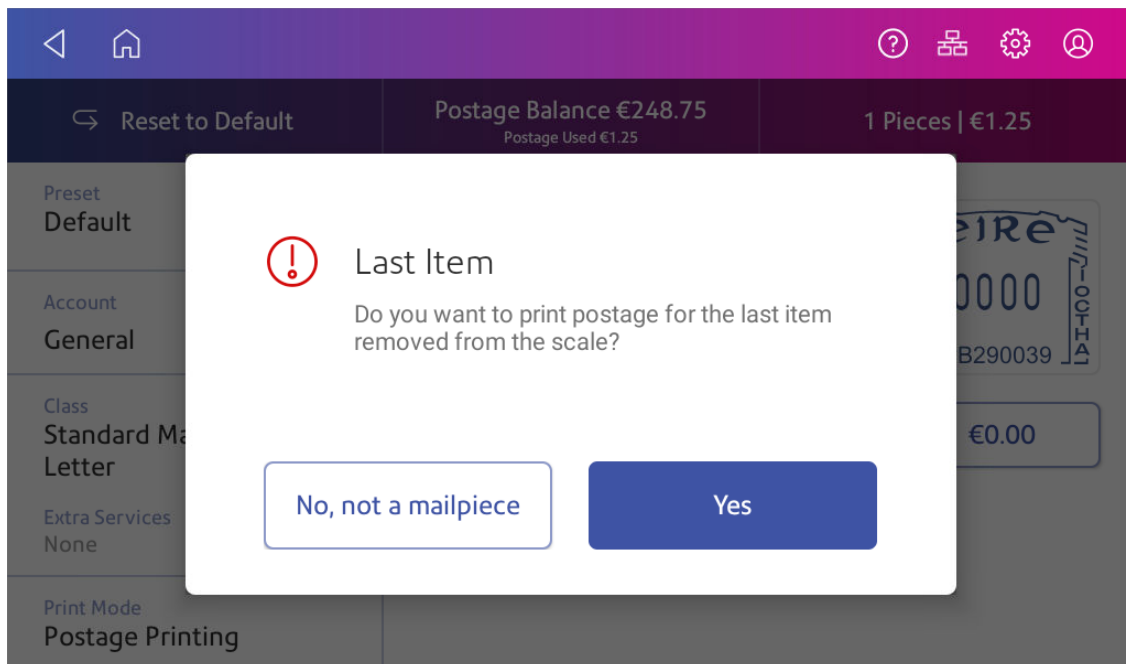


3. Tap **Differential**.



4. Tap **Apply**.
5. Place all the mail on the scale.
6. Tap **Class**.

7. Select **Start Over** to show the class options.
8. Tap the class you want.
9. Select special services, if required.
10. Tap **Apply**.
11. Remove a mailpiece from the scale. Place the mailpiece on the feed deck. Tap **Start**. The device then prints the postage. Alternatively, tap **Tape** to print a tape.
12. Continue removing mail from the scale until you reach the last mailpiece. When you remove the last mailpiece, the device asks you if you want to print postage for the last item removed. Tap **Yes** if the item is a mailpiece. Alternatively, tap **No, not a mailpiece**.



13. If necessary, insert the mailpiece into the device, then tap **Start**. Alternatively, tap **Tape**. The device then prints the postage.

Editing the Differential Weighing threshold

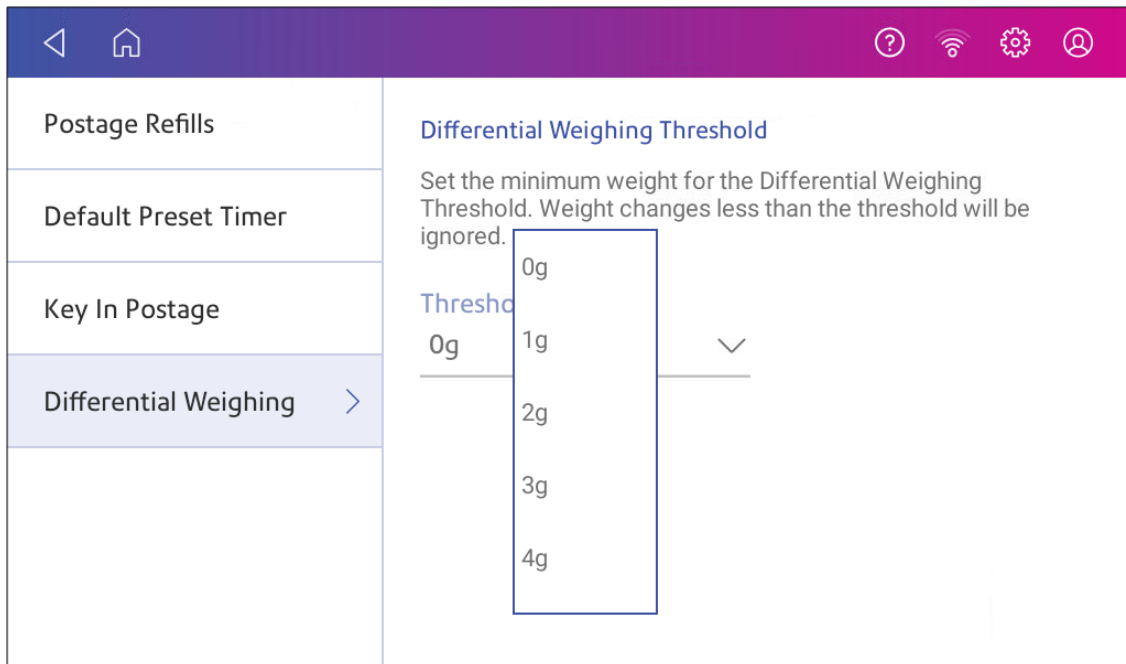
To edit the minimum weight each mailpiece must weigh while using Differential Weighing, you can set the Differential Weighing Threshold.

You can set the threshold weight in multiples of 1 gram up to 250 grams. For example, 1 gram or 2 grams.

1. Tap **Print on Envelopes** on the Home screen.
2. Tap **Settings**.



3. Tap **Differential Weighing**.
4. Select the desired weight from the Threshold menu.



5. Tap the back arrow to return to the Print on Envelopes app.

4 - Accounting

In this section

What is Accounting.....	40
Adding an account.....	41
Turning account passwords on or off for printing postage.....	42
Selecting an account.....	42
Editing an account.....	43
Making an account inactive.....	43
Deleting an account.....	43

What is Accounting

You can use the accounting feature to track the postage that departments or individuals within your organization use.

The accounting feature helps you to understand how your business spends its postage and identify cost-saving opportunities. You can charge postage back to departments or clients and report on postage expenditures.

When you use Print on Envelopes accounts to track your postage usage, use sub accounts and sub sub accounts to analyze your usage within an account.

How you create accounts depends on your needs. You can create accounts in single or multiple levels. For example, you can divide a top level department (account) into two additional sub sections (sub accounts and sub sub accounts).

The Print on Envelopes accounting structure can have up to a three level hierarchy:

- account (top level of the hierarchy)
- sub account (next possible level of the hierarchy)
- sub sub account (last possible level of the hierarchy)

Important: Only the lowest level of the account hierarchy is chargeable. This means that the lowest level of the account has the transactions applied to them.

- **Account with no sub accounts** - When you create an account with no sub accounts, you charge postage to that account. This is because the account does not have sub or sub sub accounts.
- **Account with sub account or sub sub account** - When you create a sub account or sub sub account, you charge postage to the lowest level (the sub account or sub sub account).

Account hierarchy examples

Top level account

- Engineering

Account with sub accounts

- Engineering; Sub account - Software;
- Engineering; Sub account - Hardware;

Account with sub sub accounts

- Engineering; Sub account - Software; Sub sub account - Graphics and Layout; Sub sub account - Design

- Engineering; Sub account - Hardware; Sub sub account - Quality Approval; Sub sub account - Testing

Adding an account

Add accounts to record Print on Envelopes usage by department.

An account is created automatically for you during installation. The account is called General.

You can edit the name if you want to, providing you have not printed any post against it.

You can create more accounts if you would like to.

1. Tap **Manage Accounts** on the Home screen.
2. Tap **Create new account**.
3. Tap **Create a new account** for a new account.
4. Enter the account name in the Enter account name field. Account names can be up to 75 characters long.
If the keyboard does not pop up, tap the line in the box.

The screenshot shows a mobile application interface for creating a new account. The form includes fields for Name, Account name (marked as required), Code (marked as required), Description, Status (Active/Inactive), and Password (set to None). A white dialog box is overlaid on the form, displaying the message "Please Enter Account name :" with "CANCEL" and "OK" buttons. The background form is dimmed.

5. Enter a unique code in the Code field to identify each account. Codes can be alphanumeric. Codes help you locate accounts more easily.

6. You can use the optional fields, such as:
 - **Description** - Enter a description of the account up to 150 characters.
 - **Password** - Tap **Password** to add a password for an account.
 - Passwords are case sensitive, can be alphanumeric, and must be four characters in length. If you do set a password, you need to enter it to print mail.
7. Ensure you set the status to active.
8. Tap **OK** to save. The name of the new account appears.
 - Tap **Create New Account** to create another account.
 - Tap **Add a sub Account to this account** to add a sub account to the account you just created.
 - Tap **Continue** if you do not need to create any more accounts.
9. Press the **back arrow** to return to the Home screen.

Turning account passwords on or off for printing postage

You can protect each account from unauthorised access by turning account passwords on.

1. Tap **Manage Accounts** on the Home screen.
 - Tap **Turn account passwords on** if account passwords are off and you wish to turn them on.
 - Tap **Turn account passwords off** if account passwords are on and you wish to turn them off.
2. Tap **Yes**.
3. Tap **OK**.
4. Tap **Home** to return to the Home screen.

Selecting an account

When accounting is enabled on your device, you must select an account before you can print postage.

1. Tap **Print on Envelopes** on the Home screen.
2. Tap **Account**.
3. Tap the account you wish to use for your mail.

Tip: You can then create a preset which you use to quickly select the same settings in the future.

Editing an account

Edit an account when you want to change the account name, code, description, status or password.

Important: Once you charge postage to an account, you cannot change the account name or code.

1. Tap **Manage Accounts** on the Home screen.
2. Tap **Edit account**.
3. Tap the account you want to edit.
4. Select **OK**.
5. Make your changes, such as edit the account name, code, description, status or password.
6. Tap **OK** to return to the Accounts screen.
7. Tap the back arrow to return to the Home screen.

Making an account inactive

Setting the account status to inactive prevents anyone from charging postage against it.

1. Tap **Manage Accounts**.
2. Tap **Edit account**.
3. Tap the account you want to make inactive.
4. Select **OK**.
5. Tap **Inactive**.
6. Tap **OK** to return to the Accounts screen.
7. Tap the back arrow to return to the Home screen.

Deleting an account

You can delete an account, sub account, or sub sub account through the Print on Envelopes app.

If you apply postage to an account, you cannot delete the account. You can only make the account inactive.

1. Tap **Manage Accounts**.
2. Tap **Delete account**. The list of available accounts appears.
3. Tap the account you want to delete.
4. Tap **OK**.
5. Tap **Yes, delete account** to confirm.

6. Tap **OK**.
7. Tap the back arrow to return to the Home screen.

5 - Postage Funding

In this section

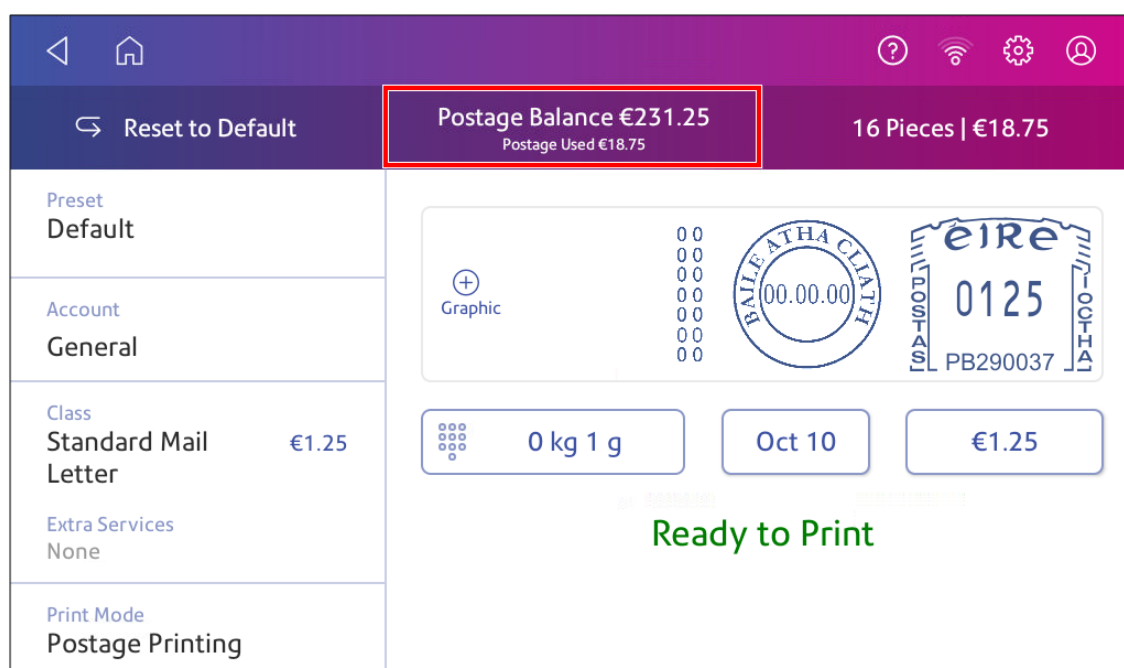
Checking the available funds for printing postage.....	46
Refilling postage funds for printing postage.....	47
Getting a An Post refund for damaged or incorrectly printed mail in Print on Envelopes.....	48
Changing the default refill amount for printing postage.....	49
Setting the low funds warning for printing postage.....	50

Checking the available funds for printing postage

Check your funds for printing postage on your device at any time.

Viewing the amount available in your device

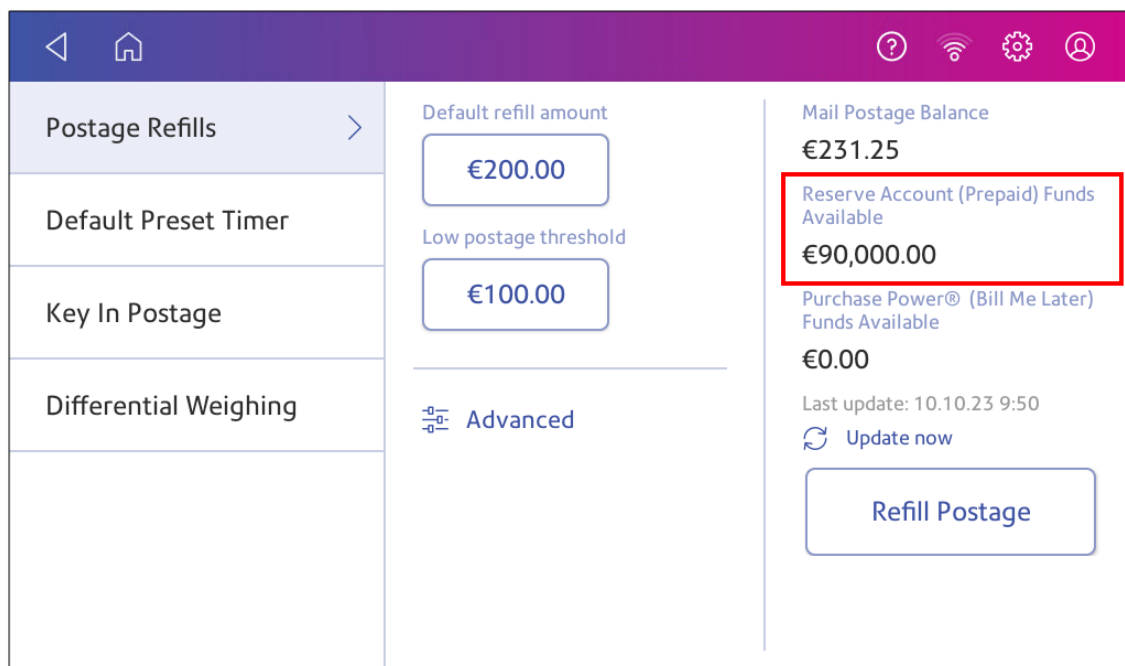
1. Tap **Print on Envelopes** on the Home screen.
2. The **Postage Balance** shows the available funds in your device.



Viewing the amount available in your postage account at Pitney Bowes

1. Tap **Print on Envelopes** on the Home screen.
2. Tap **Postage Balance**.
3. Tap **Envelope Printer Settings**.

4. The balance in your postage account appears.



Refilling postage funds for printing postage

Refill your postage funds for printing postage as soon as you receive a message that your funds are low.

Before you begin

Check that your device is connecting to the internet.

- For wired network connections, you will see the following connection image in the toolbar:



- If you have a wireless connection, you will see the following connection image in the toolbar:



To refill postage:

1. Tap **Print on Envelopes** on the Home screen.
2. Tap **Postage Balance**.
3. Tap **Refill Postage**.
4. Enter the postage refill amount.
5. Tap **back** to change the amount shown.



6. Tap **Refill Mail Postage**.
7. Tap **View Receipt** to view or print a receipt.
8. Tap **Done**. Your updated postage balance appears on the Print on Envelopes app.

Getting a An Post refund for damaged or incorrectly printed mail in Print on Envelopes

Request a refund for damaged or incorrectly printed mail by contacting [An Post](#).

Once you print an impression, your device deducts the postage amount from the postage funds. This happens even if the printing is illegible. Therefore, it is important you select the correct value before printing postage.

For up-to-date refund guidelines, refer to the [An Post](#) website.

To request a refund via An Post:

1. Don't post the items.
2. Remove the contents and start again with a new envelope.

3. Send any unused franked envelope (the whole envelope) to:

An Post
 Dublin Mails Revenue
 Room 2D
 GPO
 O'Connell Street
 Dublin 1
 D01 F5P2

- The affected mail must be at least €5 in total value.
- All the impressions must be clear and readable and made within six months of the franked date.
- You will receive a cheque refund for the value of the unused impressions minus a 10% administration fee.

Changing the default refill amount for printing postage

Change the default refill amount to store an amount you want to refill your device with.

You can set the default refill amount during installation or change it at later time.

There are two ways to change the default refill amount:

From the Home Screen:

1. Tap **Settings**.



2. Scroll down to the Envelope Printer Settings section.
3. Tap **Postage Refills**.
4. Tap the box under **Default refill amount**.
5. Tap the back key to remove the existing amount. You may need to tap the key multiple times to clear the amount.
6. Enter the new amount.
7. Tap **Apply**.
8. Tap the back arrow to return to the Home screen.

From Print on Envelopes:

1. Tap **Print on Envelopes** from the Home screen.
2. Tap **Postage Balance**.
3. Tap **Envelope Printer Settings**.

4. Tap the box under **Default refill amount**.
5. Tap the back key to remove the existing amount. You may need to tap the key multiple times to clear the amount.
6. Enter the new amount.
7. Tap **Apply**.
8. If necessary, tap the back arrow to return to the Print on Envelopes app.

Setting the low funds warning for printing postage

Set the low funds warning to warn you when your available funds for printing postage reaches a certain amount. Use this warning as a reminder to add more postage to your device.

1. Tap **Print on Envelopes** on the Home screen.
2. Tap **Postage Balance**.
3. Tap **Envelope Printer Settings**.
4. Tap **Low postage threshold**.
5. Tap **back** on the keypad to remove the existing amount.
6. Enter the new amount.
7. Tap **Apply**.
8. If necessary, tap the back arrow to return to the Print on Envelopes app.

6 - Mailing

In this section

Sending post by Standard Mail.....	52
Key in postage.....	52

Sending post by Standard Mail

Send your letters and small parcels by Standard Mail. Standard Mail can be an economical way to send your post.

1. Tap **Print on Envelopes** on the Home screen.
2. Tap **Account** and select an account.
3. Tap **Class**.
4. Tap **Start Over** to show a list of all the available classes.
5. Tap **Standard Mail**.
6. Tap **Letter**.
7. Tap **Apply**.
8. Place the envelope on the scale. The weight appears.
9. Place the envelope or envelopes on the feed deck. Depending on the SendPro C model you have, feed the envelopes manually or tap **Start** to feed the envelopes.

Key in postage

Use Key in Postage mode if you know the price of the mail you are sending.

1. Tap **Print on Envelopes** on the Home screen.
2. Tap **Print Mode** (you may have to scroll down to see this).
3. Tap **Key in Postage**.
4. Tap **Apply**.
5. Enter the value of the mailpiece you are sending in the postage value field.
6. Tap the tick button to confirm the value.
7. Place the envelope or envelopes on the feed deck. Depending on the SendPro C model you have, feed the envelopes manually or tap **Start** to feed the envelopes.

7 - Sealing

In this section

Filling the moistener tank.....	54
Sealing envelopes and printing postage.....	55
Sealing envelopes without printing postage.....	56
Avoiding envelope sealing issues.....	57
Cleaning the moistener brush and wick assembly.....	59

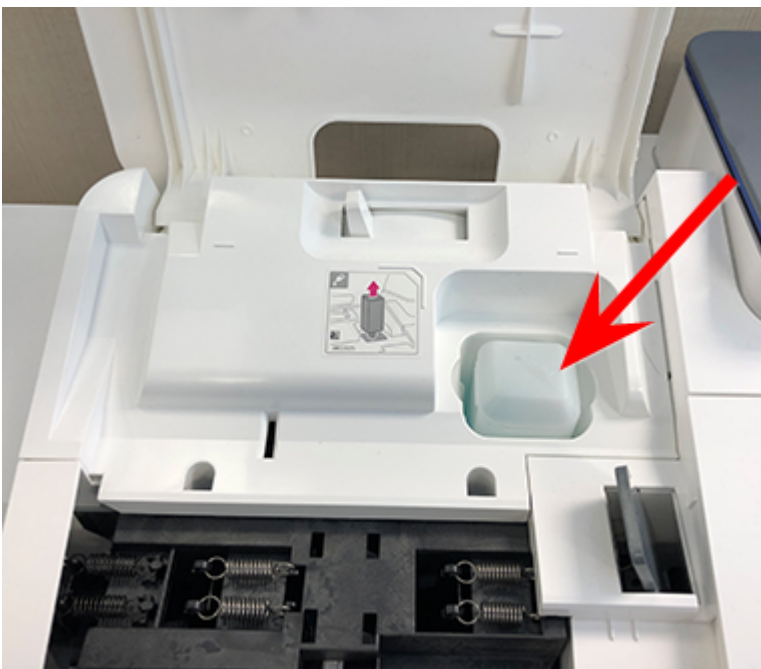
Filling the moistener tank

Your device will need refills of E-Z Seal® in order to seal envelopes. Follow these steps to fill the moistener tank.

1. Check the level of sealing solution in the moistener tank by checking the sight window on the front of the feeder deck.



2. Open the feeder access cover to access the moistener bottle.



3. Remove the moistener bottle and place it with the cap up on a flat surface.

4. Unscrew the moistener bottle cap and fill it with Pitney Bowes Sealing solution. Do not overfill the moistener bottle.



5. Screw the cap back on and place the bottle back in its original site (upside down in the device).
6. Close the feeder access cover.
7. If the tank is empty, allow 30 minutes for the moistener brush and wick to get completely wet.

Sealing envelopes and printing postage

Use the moistener on your device to seal your envelopes before you print postage.

1. Check the level of sealing solution by checking the sight window on the front of the feeder deck.



2. Place the envelopes with the flap side facing down and the top edge against the rear wall.
3. Make sure that the seal/no seal lever is set to the seal position (all the way to the left).



4. Place the envelopes on the feed deck. Tap **Start** on the Print on Envelopes app.

If the moistener tank is full and your envelopes do not seal correctly, clean or replace the moistener brush and wick.

Sealing envelopes without printing postage

Use Seal Only mode to seal envelopes without printing anything.

1. Tap **Print on Envelopes** on the Home screen.
2. Tap **Print Mode**. You may need to swipe up on the screen to see this option.
3. Swipe up on the Print Mode screen and tap **Seal Only**.
4. Tap **Apply**.
5. Load the envelopes onto the feeder with the flap side facing down and the top edge against the rear wall.
6. Tap **Seal Only** to continue.

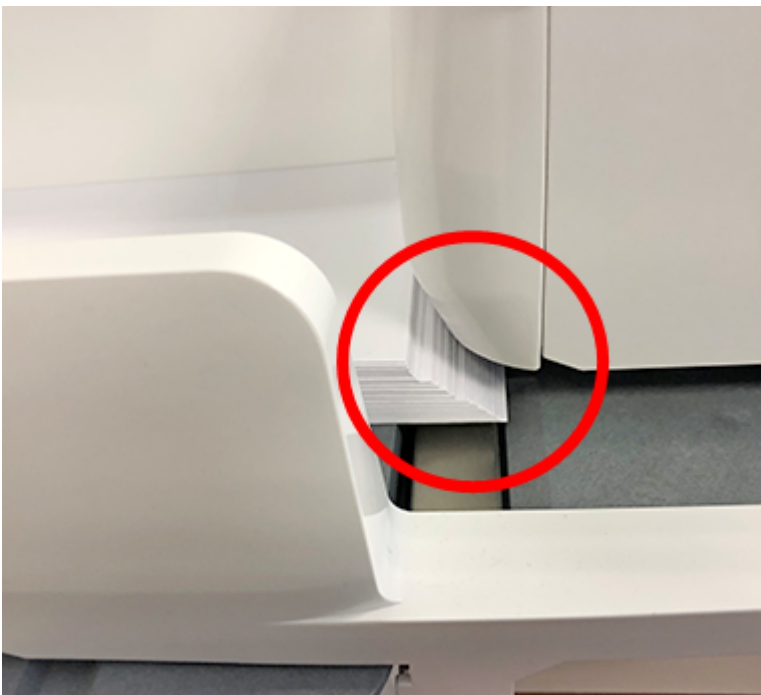
Avoiding envelope sealing issues

Prevent sealing issues by:

1. Check the level of sealant in the moistener tank. Add more if required.



2. Place the stack of mail on the feed deck. Place the envelopes with the flap side facing down and the top edge against the rear wall.



3. If the moistener tank is full, and your envelopes are still not sealing correctly, clean your moistener brush and wick.

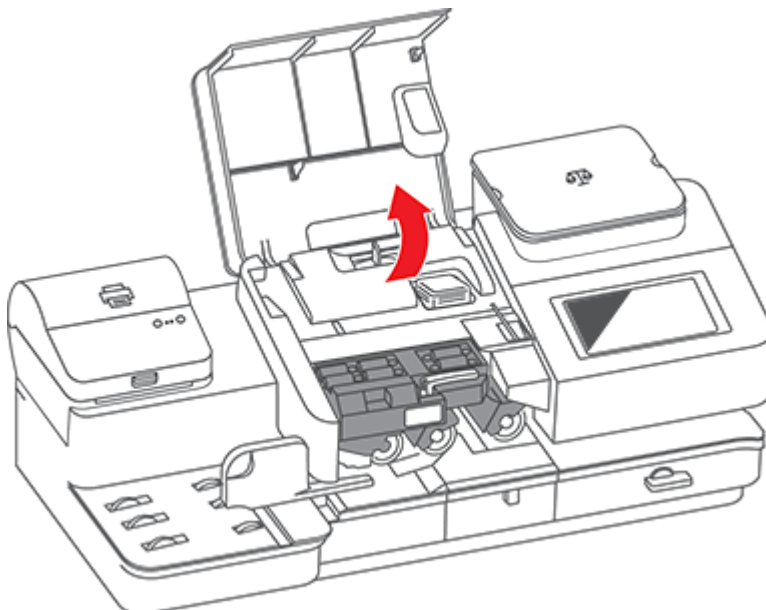
4. Make sure that the seal/no seal lever is set to the seal position (all the way to the left).



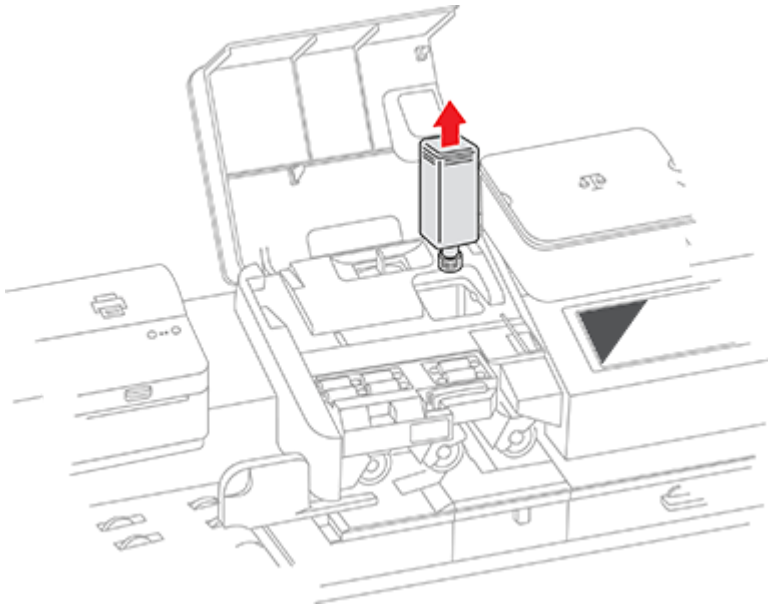
Cleaning the moistener brush and wick assembly

If the moistener tank is full and your envelopes are not sealing properly, clean the moistener brush and wick.

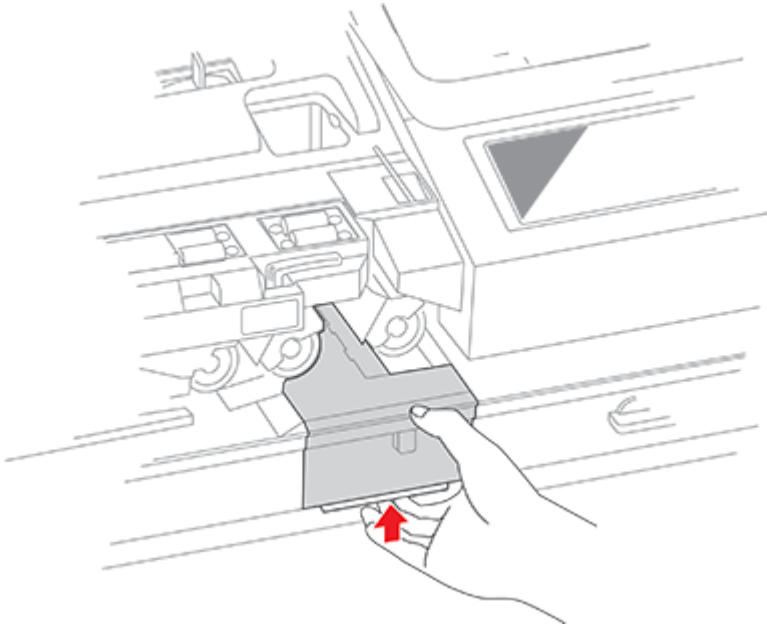
1. Open the feeder cover.



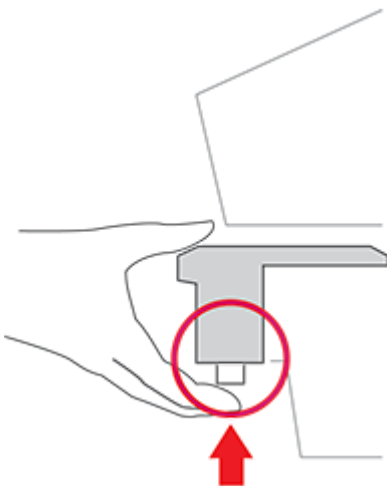
2. Remove the moistener bottle from the device.



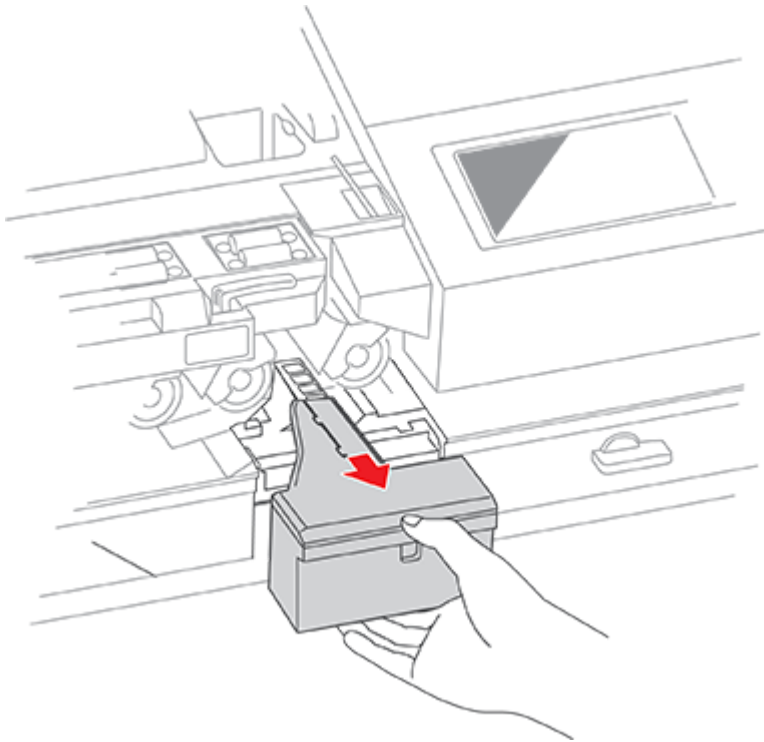
3. Grasp the moistener brush assembly and depress the moistener release button.



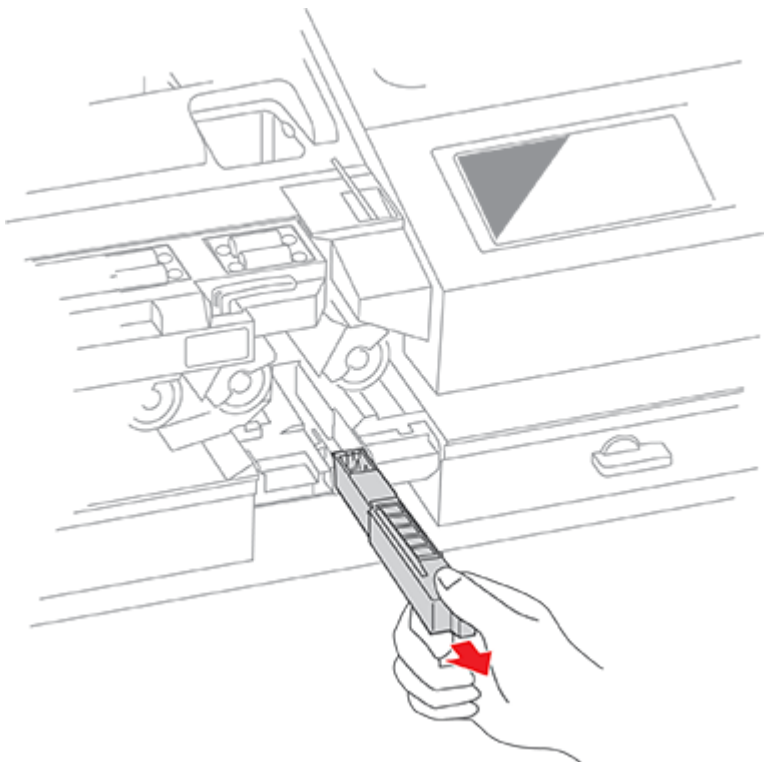
The release button is located on the underside of the moistener assembly.



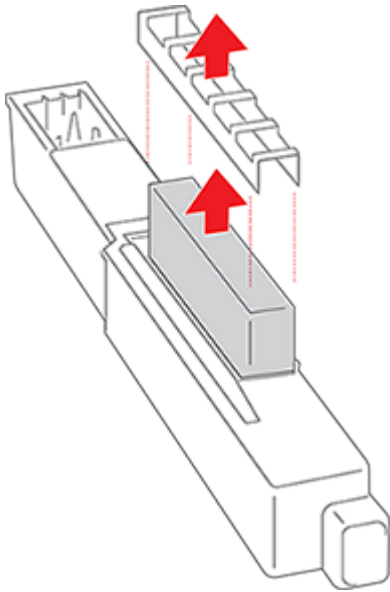
4. While continuing to press the release button, slide the moistener brush assembly straight out toward you.



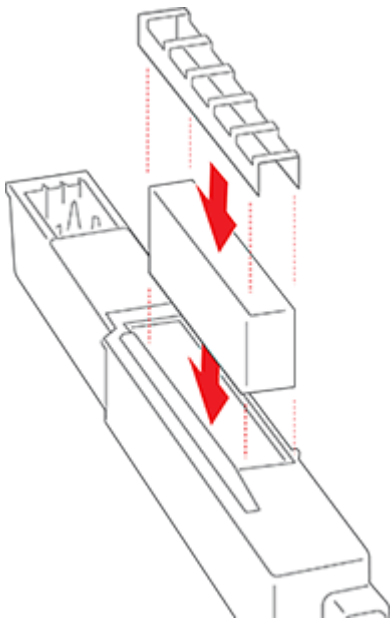
5. Slowly and carefully pull the moistener tank (located under the moistener bottle) out toward you. This may contain EZ-Seal solution.



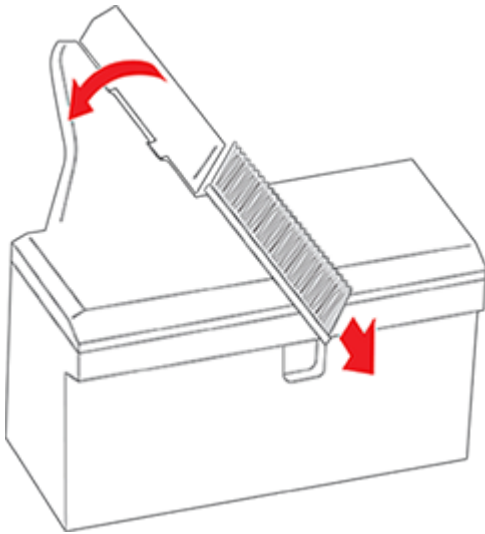
6. Separate the shield from the wick. Clean the wick in plain water and rinse thoroughly. Blot excess water from the wick.



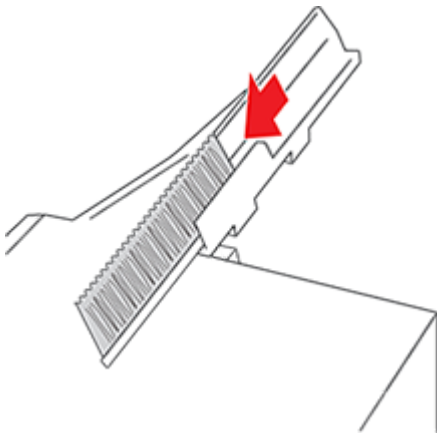
7. Replace the wick and shield.



8. Remove the moistener brush by sliding it out of the moistener brush assembly.

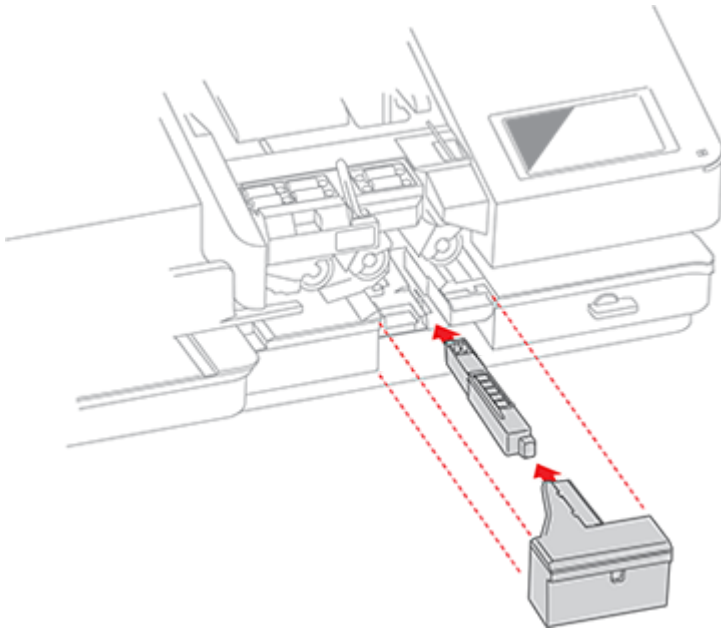


You may need to exert some pressure to remove the brush.

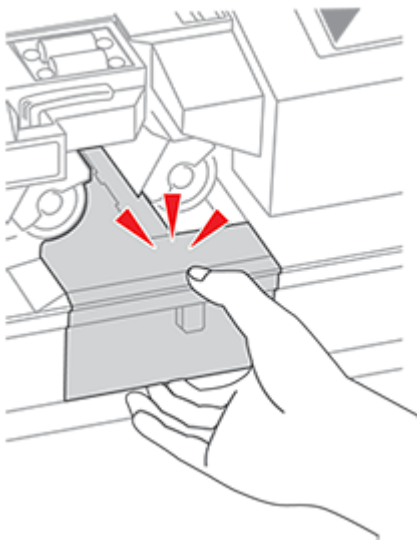


9. Clean the brush by running it under plain water. Blot the excess water from the brush after rinsing it. Replace the brush if you cannot clean it thoroughly.

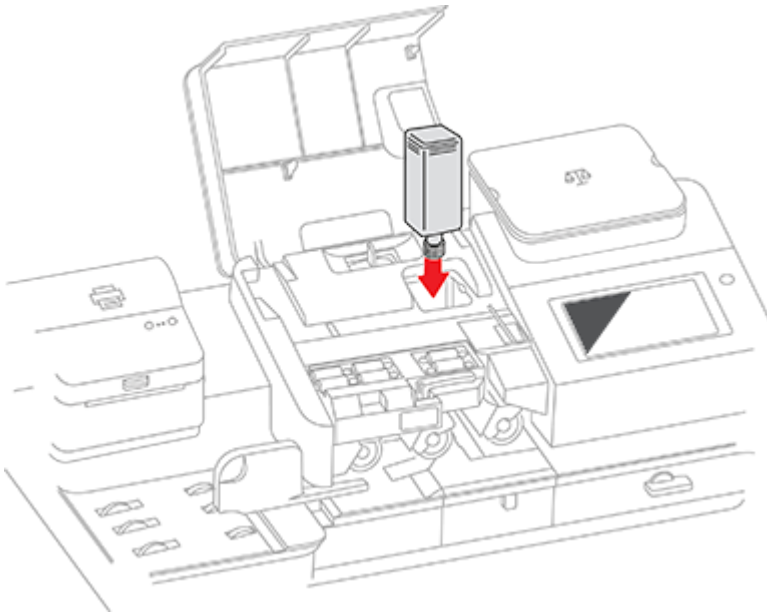
10. Slide the moistener tank back into the device, followed by the moistener brush assembly.



You should hear the moistener brush assembly click into place.



11. Replace the moistener bottle.



12. Close the feeder cover.

8 - History and Reports

In this section

Viewing and printing a postage refill receipt	68
Viewing the total spent on printing postage.....	68
Printing a funds report	68
Running postage printing account reports.....	69
Setting the report period for an account	69
Setting the account report preferences.....	70
Emailing an account report	71

Viewing and printing a postage refill receipt

View and print receipts of previous postage refills by using the Print Refill Receipt app.

1. Tap **Print Refill Receipt** on the Home screen.
2. Tap **Refill History**.
3. Tap the receipt you want to view.
4. Tap **Print** to print a refill receipt.
5. Place an envelope on the feed deck. Depending on the SendPro C model you have, feed the envelope manually or tap **Start** to print the receipt.
6. Press **X** to close the screen.
7. Tap **Cancel** to return to the Home screen.

Viewing the total spent on printing postage

View the total amount you have spent on postage and the total number of pieces printed.

1. Tap **Settings**.



2. Scroll down to the Envelope Printer Settings section.
3. Tap **Postage Refills**.
4. Tap **Advanced** to view the total amount of postage spent and the number of pieces printed.

Printing a funds report

Print a funds report if you need a report showing the total number of mailpieces sent.

The funds report provides the following information about your device:

- **Used:** The total amount used over the lifetime of the device.
- **Available:** The amount currently available to print.
- **Total Pieces:** The total number of mailpieces run over the lifetime of the device.
- **Control Sum:** The control sum is the total of the amount used and available.
- **Batch Count:** The current Batch Count.
- **Batch Value:** The current Batch Total.
- **PBP Serial No:** The serial number of the device.
- The date and time the report was printed.

To print a funds report:

1. Tap **Print on Envelopes** on the Home screen.
2. Tap the piece count in the upper right.
3. Tap **Print Report**.
4. Tap **SendPro C Envelope Printer**.
5. Place the envelope on the feed deck. Depending on the SendPro C model you have, feed the envelope manually or tap **Start** to feed the envelope.
6. Tap the **back arrow** to return to the Print on Envelopes app.

Running postage printing account reports

Run account reports to show how you spent your postage for a specific account or for all accounts over various time periods.

1. Tap **Manage Accounts** on the Home screen.
2. Tap the **Reports** link in the Accounts section.
3. If this is the first time you are running a report:
 - a. Tap **Report Period** and set the time range for your reports.
 - b. Tap **Preferences** and set how you wish to identify the accounts.
4. Tap **View & print reports**.
5. Tap to select a report.
6. Tap **Next**.
7. Choose what to do with the report:
 - To view the report on the screen, tap **View Report**.
 - Tap **Actions** to save the report under a new name, delete or email the report.

Setting the report period for an account

Set the reporting period of an account report by setting its start and end dates.

1. Tap **Manage Accounts** on the Home screen.
2. Tap **Reports**.
3. Tap **Report period**.

4. Select the calendar image next to the **Start date of fiscal year** field.

Report period defaults

Start date of fiscal year:
01.01.2023

End date of fiscal year:
31.12.2023

Default reporting period:
Calendar month

Calendar month periods for 2023:

Month 1	01.01.2023 to 31.01.2023
Month 2	01.02.2023 to 28.02.2023
Month 3	01.03.2023 to 31.03.2023
Month 4	01.04.2023 to 30.04.2023
Month 5	01.05.2023 to 31.05.2023

< Previous year Next year >

OK

- a. Select a date on the calendar.
 - b. Select **SET**.
- The End date of the fiscal year is set based on the start date you enter. You cannot enter this date manually.
5. Select the **Default reporting period** field.
 - a. Select a report period type.
 - b. Select **OK**.
 6. (Optional) Tap **Previous year** and **Next year** to view the reporting periods for the previous and next year. Tap **up** and **down** to scroll through the list of reporting periods for the current year.
 7. Tap **OK** to return to the Reports screen.

Setting the account report preferences

Set the account report preferences to select the account level you wish to report on (Account, Sub account or Sub sub account).

You can also choose how you want to identify accounts: by Name or by Code.

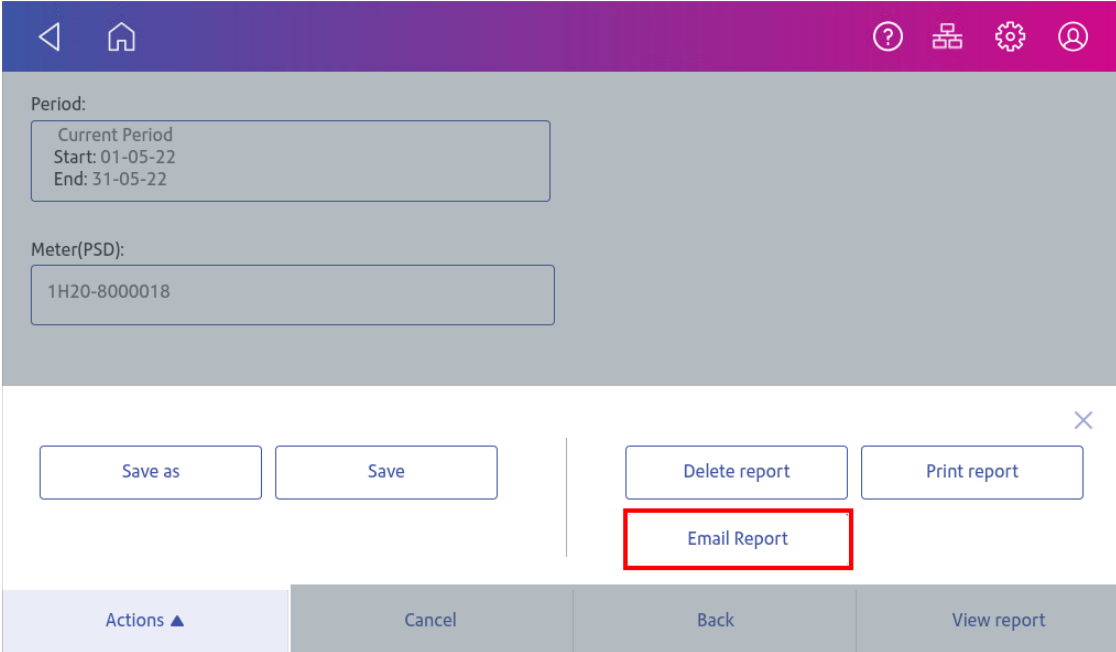
1. Tap **Manage Accounts** on the Home screen.
2. Tap **Reports**.
3. Tap **Preferences**.
4. Tap to select how you want to identify accounts: by **Name** or by **Code**.

5. Select the account level you wish to report on: **Account**, **Sub account** or **Sub sub account**.
6. Tap **OK** to return to the Reports screen.

Emailing an account report

Email an account report to keep a record of how much departments or clients have spent on their postage over specific time periods.

1. Tap **Manage Accounts** on the Home screen.
2. If necessary, tap **Got It** at the **No Sync Required** prompt.
3. Tap **Reports**.
4. Tap **View & print reports**.
5. Tap the report to select it.
6. Tap **Next**.
7. Tap **Actions**.
8. Tap **Email Report**.



The screenshot shows a mobile application interface for generating and emailing a report. At the top, there is a purple navigation bar with icons for back, home, help, reports, settings, and profile. Below the bar, the screen is divided into two main sections. The upper section is a light gray area containing two input fields: 'Period:' with a dropdown menu showing 'Current Period', 'Start: 01-05-22', and 'End: 31-05-22'; and 'Meter(PSD):' with a text field containing '1H20-8000018'. The lower section is a white area with a grid of buttons. On the left, there are 'Save as' and 'Save' buttons. On the right, there are 'Delete report' and 'Print report' buttons. Below these, the 'Email Report' button is highlighted with a red rectangular border. At the bottom of the screen, there is a dark gray bar with four buttons: 'Actions ▲', 'Cancel', 'Back', and 'View report'.

9. Tap in the **Please enter the recipient mail address** box and enter the recipient's email address. The email address you enter will remain until you turn off then turn on the device.

* Please enter the recipient mail address:

* Attach report as file type:

.xlsx

.csv

.pdf

* Required fields

Cancel Send

10. Tap the file type you wish to send: **xlsx** (Excel), **csv** (comma-separated values), **pdf** (Portable Data Format).
11. Tap **Send**. The report appears from no-reply@pb.com.
12. Tap **OK** when **Email Sent** appears.
13. Tap the back arrow to return to the Home screen or **Cancel** twice to return to the Manage Accounts screen.

9 - Printing

In this section

What are print modes.....	74
Printing a custom or standard graphic.....	74
Adding a custom text message.....	77
Printing a graphic without printing postage.....	77
Printing postage on tapes.....	78
Printing only the date and time.....	78
Printing a test pattern.....	79

What are print modes

As well as printing postage, your device uses other ways to print and feed mail. Tap **Print Mode** in the Print on Envelopes app to see the available options.

- **Date and Time Stamp** - Print just the date and time. Your device will not print any postage.
- **Graphic only** - Print a graphic. Your device will not charge you for printing a graphic only.
- **Postage printing** - Postage printing is the default mode for printing mail.
- **Seal only** - Seal your envelopes. Your device will not print when you select Seal Only.
- **Key in Postage** - Enter the price of your mail manually.

Printing a custom or standard graphic

Customise your mail by adding a custom logo or standard graphic.

Uploading Custom graphics

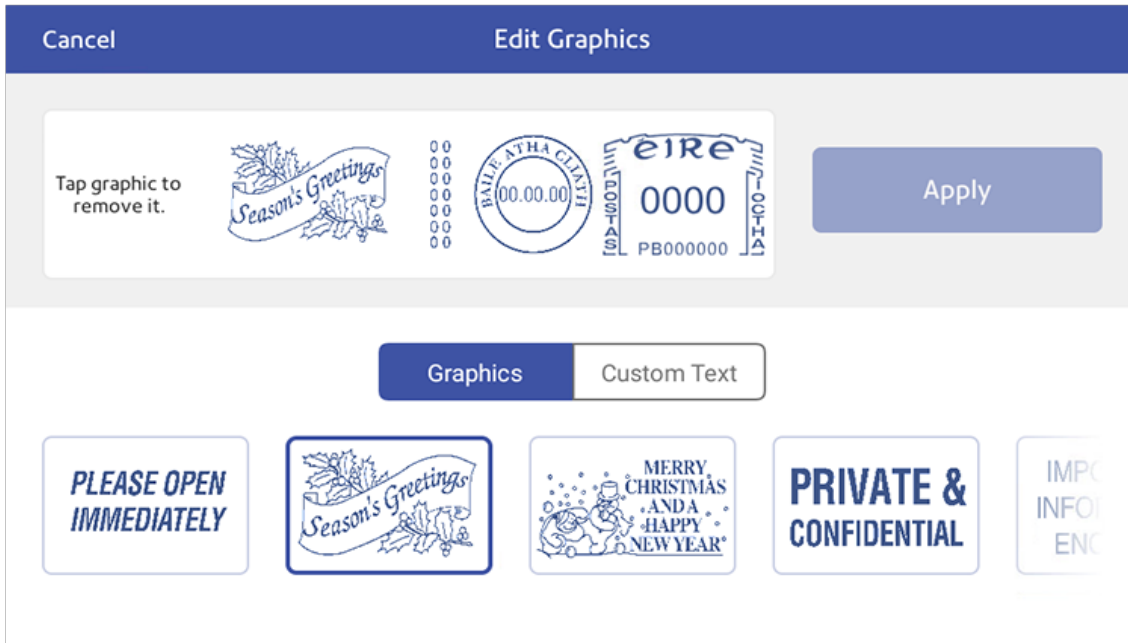
You can upload a graphic via Your Account. [Sign in](#) to the Pitney Bowes Your Account online portal.

Downloading Custom Graphics

Tap **SendPro Apps** on the Home screen, then tap **Rates and Updates**. Your graphic downloads will then be available for printing.

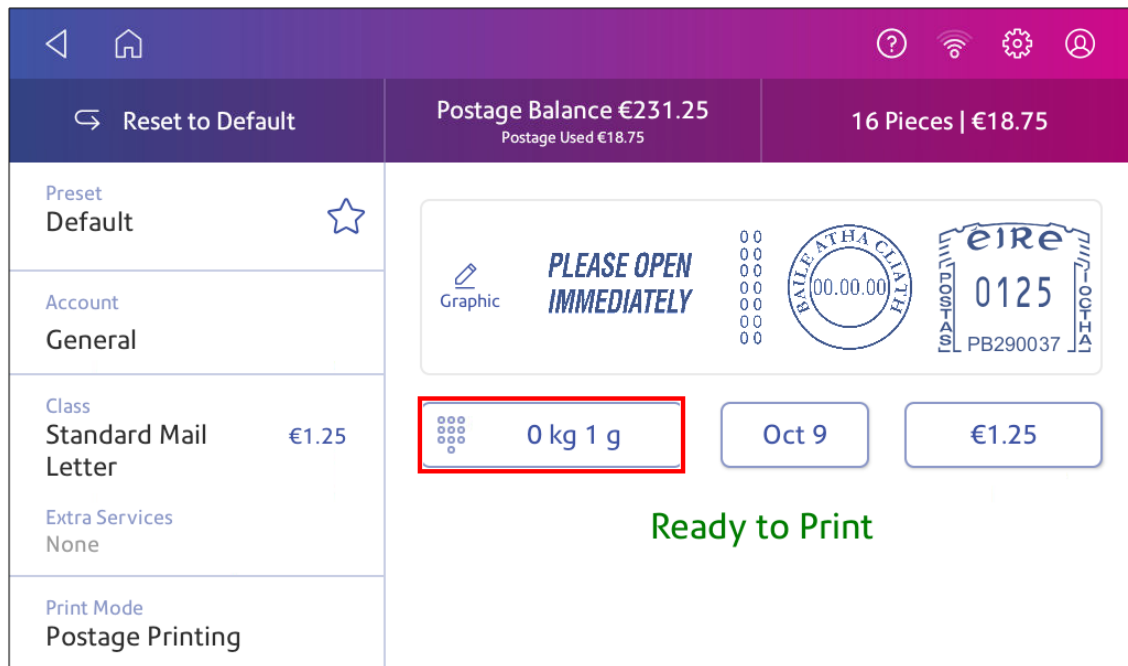
Standard graphics

Your device has a set of standard graphic images that you can add when you print postage.

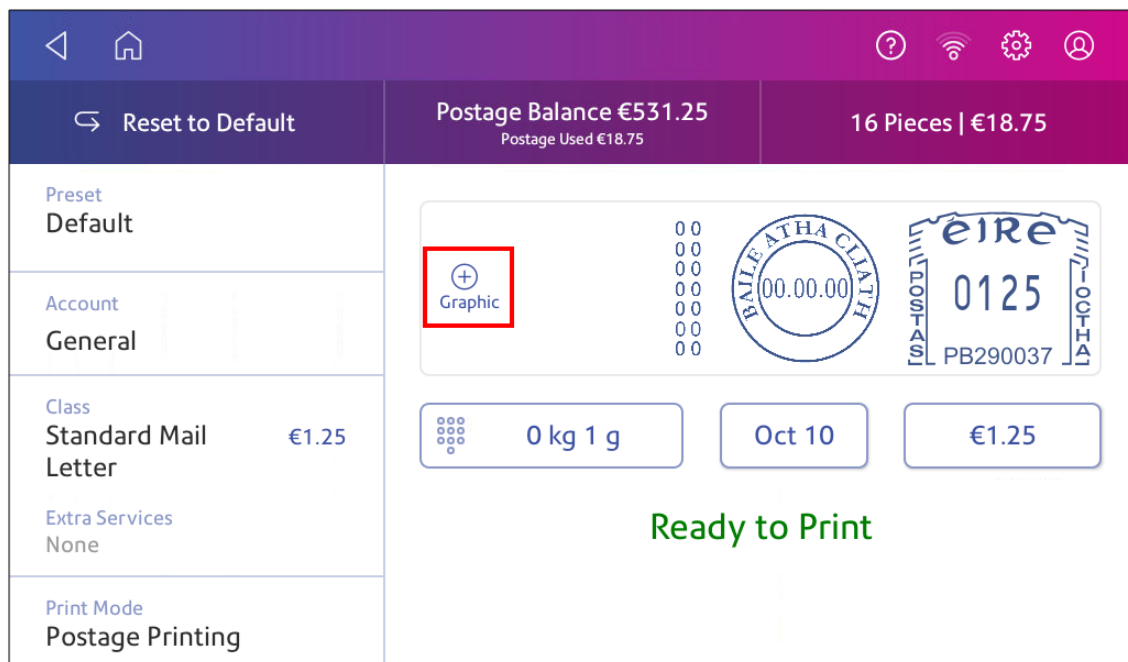


Printing a custom or standard graphic

1. Tap **Print on Envelopes** on the Home screen.
2. Tap **Account**, then select an account.

3. Tap **Weight**.4. Tap **Scale**.

5. Place the envelope on the scale. You must do this before the next step or else the **Apply** button remains inactive.
6. Tap **Class** then select the class of mail you want.
7. Tap **Graphic**.



8. Select the graphic you want from the list.
9. Tap **Apply**.
10. Place the envelope on the feed deck. Depending on the SendPro C model you have, feed the envelopes manually or tap **Start** to verify that the envelope prints correctly.

Adding a custom text message

Add a text message to print a return address or to print your own personalised message. Your message must comply with the postal rules for your country.

Your message can be up to five lines, with 20 characters per line. The message prints on the left side of the envelope.

1. Tap **Print on Envelopes** on the Home screen.
2. Weigh your envelope, select a class, and select special services, if required.
3. Tap **Graphic +**.
4. Tap **Custom Text**.
5. Tap **+ Add**.
6. Tap **Accept & Continue** to comply with the postal rules.
7. Enter a name for the message. The name can be up to 20 characters.
8. Tap **Save**.
9. Enter the message, line by line.
10. Tap **Apply** twice.
11. Place the envelope or envelopes on the feed deck. Depending on the SendPro C model you have, feed the envelopes manually or tap **Start** to feed the envelopes.

Printing a graphic without printing postage

Print a graphic without printing postage, such as the Received graphic on incoming mail.

1. Tap **Print on Envelopes** on the Home screen.
2. Tap **Print Mode**.
3. Select **Graphic Only**.
4. Tap **Apply**.
5. Tap **Graphic**.
6. Tap **Graphics**, then select your graphic.
7. Confirm with **Apply**.
8. Print the graphic on the envelope or tape.

Printing postage on tapes

If it is not possible to print postage directly onto your envelope, you can print it onto a tape. You can then apply the tape to the envelope.

1. Push the tape lever to the right and hold it there (a). Drop a stack of strip tapes down into the slot (b). Make sure that the printable side faces to the right (toward the touchscreen).

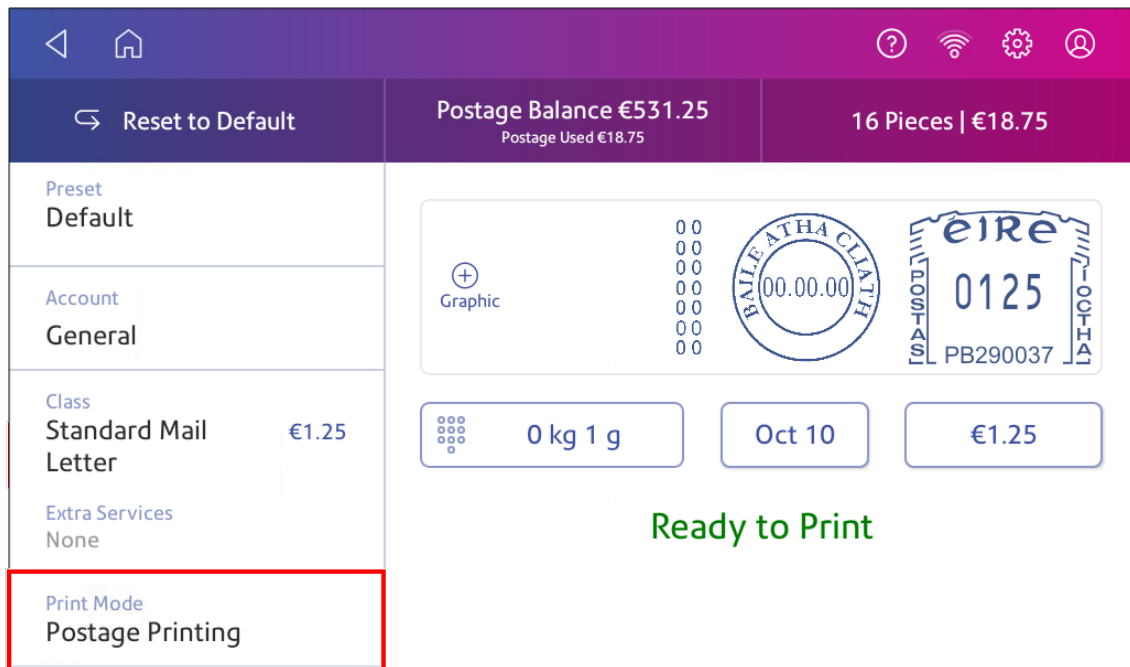


2. Tap **Print on Envelopes** on the Home screen.
3. Select the postage mode and settings (account, class and special service, weight).
4. For a single tape, tap **Tape**. The default value is set to 1 tape.
 - For multiple tapes, tap the number on the tape field and use the keypad to enter the number of tapes.

Printing only the date and time

Print the date and time to keep a record of when you receive incoming mail.

1. Tap **Print on Envelopes** on the Home screen.
2. Tap **Print Mode** (you may have to scroll down to see this).



3. Select **Date and Time Stamp**.
4. Tap **Apply**.
5. Place the envelope or envelopes on the feed deck. Depending on the SendPro C model you have, feed the envelopes manually or tap **Start** to feed the envelopes.

Printing a test pattern

Print a test pattern to see if the printhead is working properly or if you have enough ink in the cartridge.

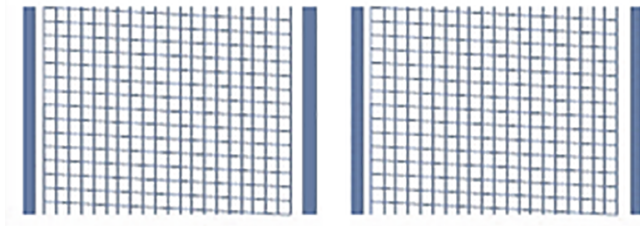
1. Tap **Settings**.



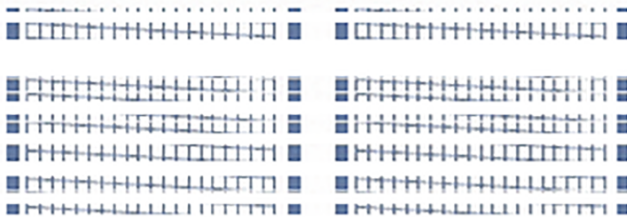
2. Scroll down and tap **Envelope Printer Maintenance**.
3. Tap **Print Test Pattern**.
4. Insert the envelope into the device when the message "Print a Test Pattern?" appears.

5. Examine the pattern printed on the envelope:

- Tap **Done** if the lines are unbroken and match the "Good" test pattern shown on the display.
- Tap **Clean Printhead** if the test pattern has missing or incomplete lines
 - Once the cleaning operation completes, you must print another test pattern.
 - If this new pattern still has broken or missing lines, you may need to replace the ink cartridge or clean or replace the printhead.
 - If you see no improvement in print quality, do not repeat the cleaning, as cleaning the print nozzles consumes ink.



Good Test Pattern



Bad Test Pattern

10 - Feeding and Jamming

In this section

Feeding envelopes.....	82
------------------------	----

Feeding envelopes

Your SendPro C Auto can automatically feed a stack of envelopes.

Before you begin

- All envelopes in a single stack must be the same width and thickness.
- All envelopes in a single stack must be sealed or unsealed. Mixing sealed and unsealed envelopes in a stack will cause a jam in the moistener.

Insert the envelopes into the feeder

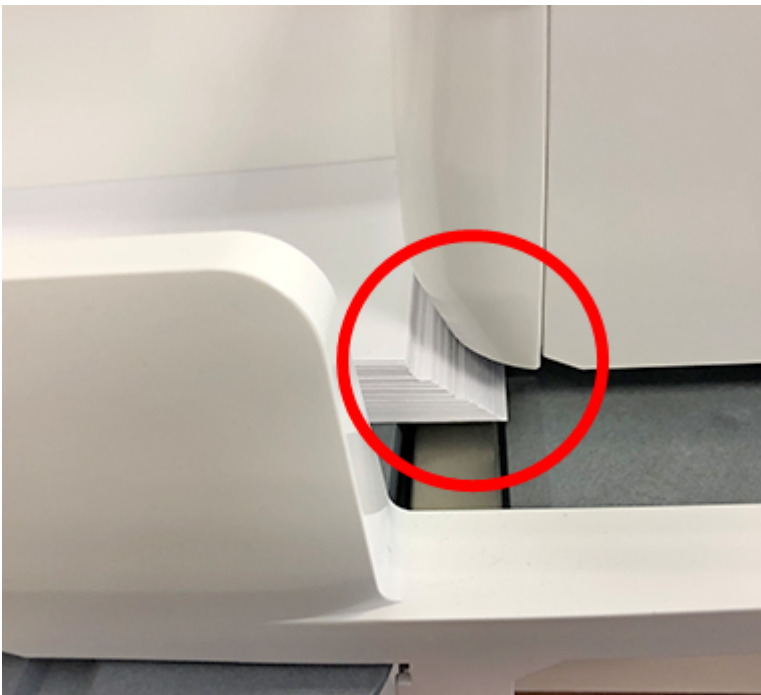
1. Slant the stack of envelopes as shown so the bottom envelope feeds first.
2. Place the stack of mail on the feed deck. Place the envelopes with the flap side facing down and the top edge against the rear wall.



3. Leave about 3 mm space between the stack and the side guide so the envelopes do not drag against the guide.



4. Push the stack into the feeder until you feel resistance. The image shows how far into the feeder you need to position the stack. The side guide is pulled away to show the edge of the envelopes.



5. Set the desired moistener setting for your envelopes. In this photo "no seal" is selected.



6. Tap **Start** on the Print on Envelopes app. The device automatically feeds the envelopes and prints the postage.
 - If you are using a stacker, extend the stacker tray so that the envelopes exit the feeder completely.
 - If you are moistening the envelope flaps, press down on the envelopes after printing to ensure the flaps are securely glued closed.

11 - Ink

In this section

Checking the ink level.....	86
Ordering ink cartridges.....	86
Replacing the ink cartridge.....	87

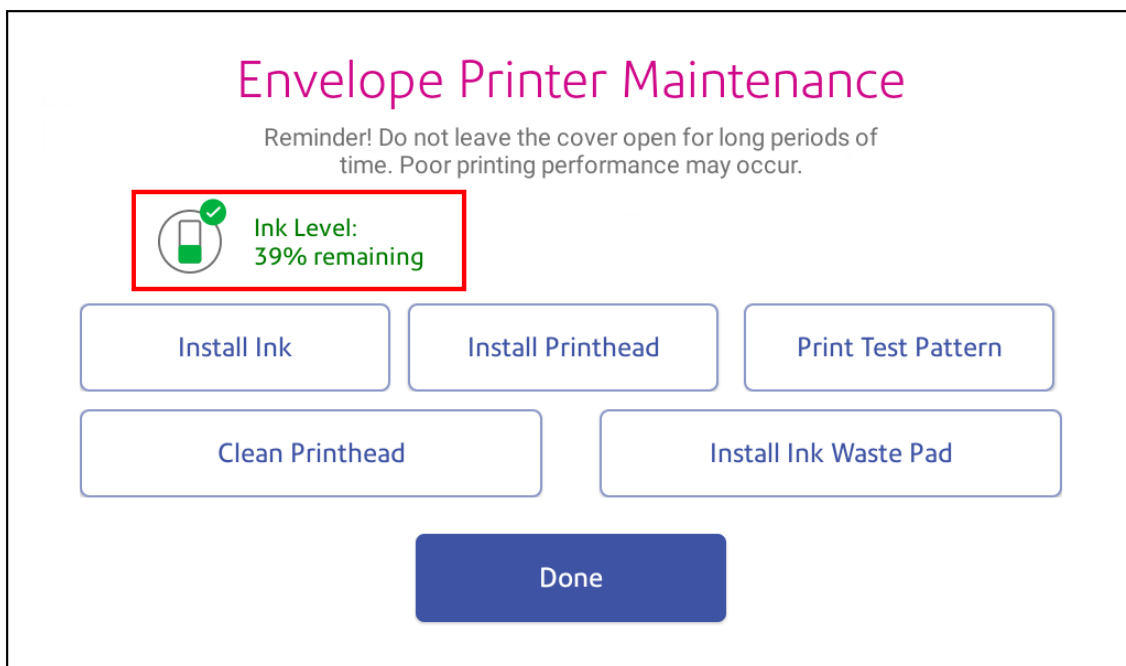
Checking the ink level

Check the ink level to ensure you have enough ink in your device.

1. Tap **Settings**.



2. Scroll down and tap **Envelope Printer Maintenance**.
3. View the level of remaining ink.



4. Tap **Done** to exit the screen.

Ordering ink cartridges

Use postal approved ink cartridges. Non-postal approved ink cartridges can damage your device.

Visit [our supplies site](#) to order ink cartridges for your device.

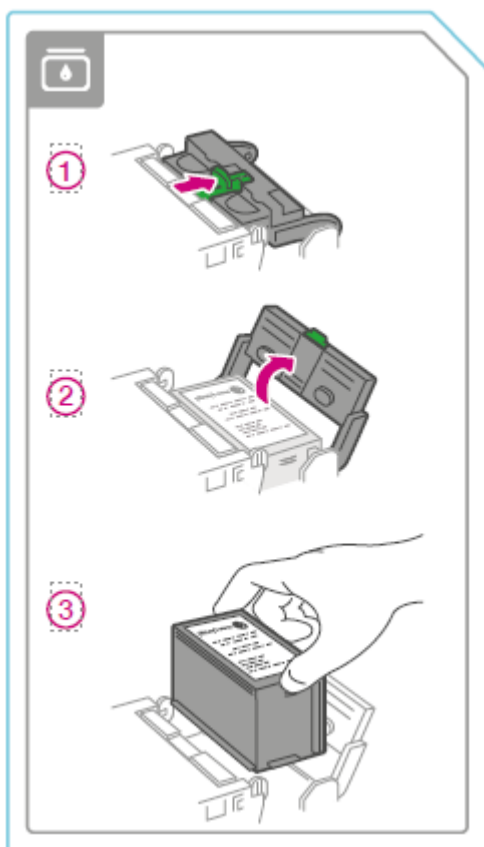
Replacing the ink cartridge

Replace the ink cartridge when the low ink warning appears. This ensures your device is in optimal working condition.

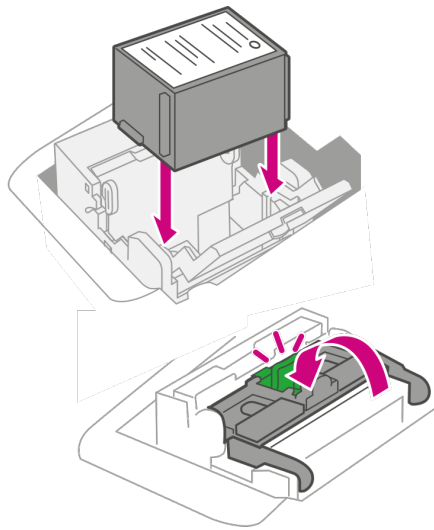
1. Tap **Settings**.



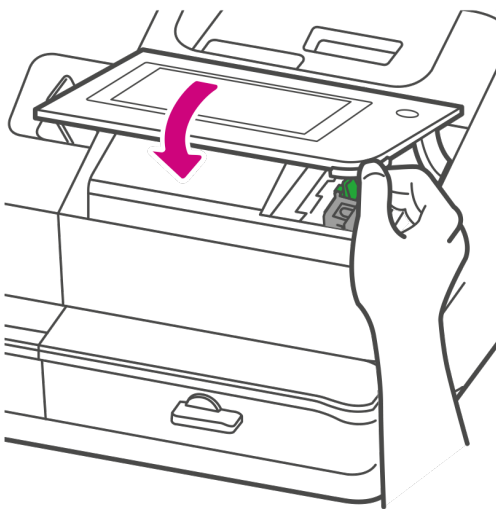
2. Scroll down and tap **Envelope Printer Maintenance**.
3. Tap **Install Ink**.
4. Lift the top cover. The ink cartridge moves to the front position.
5. Remove the ink cartridge, as shown on the label next to the cartridge holder.



6. Insert the new ink cartridge, then close the ink cartridge guard.



7. Close the top cover.



8. The cartridge repositions itself and the Envelope Printer Maintenance screen appears.
9. Print a test pattern to ensure that your ink cartridge installs properly.

12 - Settings

In this section

What are presets.....	90
Adding presets.....	90
Selecting a preset.....	91
Modifying presets.....	91
Setting the default preset timer.....	92
Deleting a Preset.....	93
Advancing the date.....	94
Adjusting display brightness.....	94
Adjusting the scale location code.....	95
Clearing or resetting the number of mailpieces sent.....	96
Creating or disabling the security PIN.....	97
Uploading postage transactions.....	98
Uploading system logs.....	99

What are presets

A preset is a group of commonly-used settings that you use to quickly select the same settings in the future. Presets can store settings such as a postage class, an account and a graphic. The maximum number of presets you can create is twenty one. This includes the default preset.

Your device adds a default preset automatically once the installation is complete. You can edit the default preset to suit your own settings.

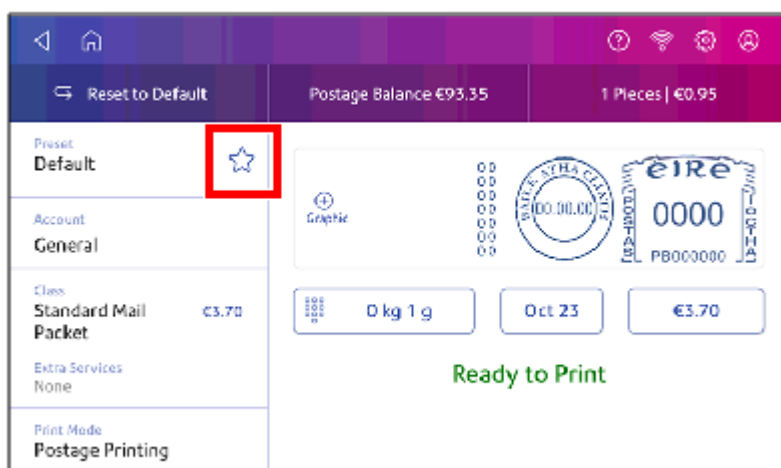
When your SendPro C Auto enters sleep mode or when you switch it off, it also reverts to the default preset.

Adding presets

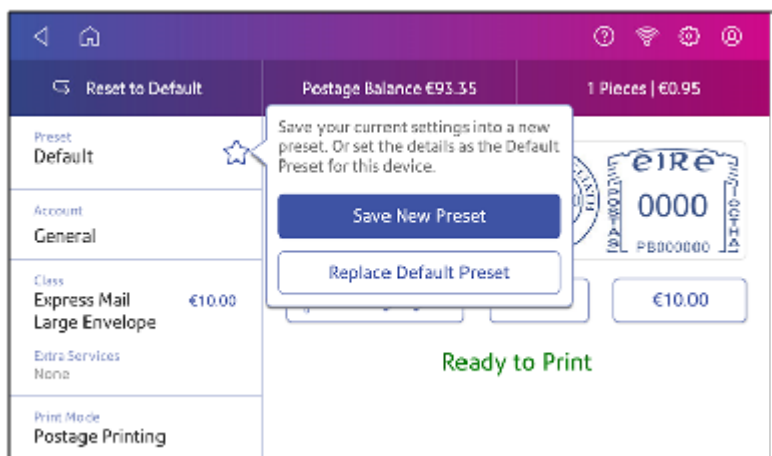
Add presets to store a group of commonly-used settings. Presets can store settings such as a postage class, an account and a graphic. The maximum number of presets you can have is twenty one. This includes the default preset.

1. Tap **Print on Envelopes** on the Home screen.
2. Tap **Class**, select the class and any special services, messages or graphics.
3. Verify the settings on the Print on Envelopes app.
4. Tap the star in the Preset box.

Important: You must modify something in the Print on Envelopes app for the Preset star to appear.



5. Tap **Save New Preset** to save it. If you wish to save it and replace the default setting, tap **Replace Default Preset**.



6. For a new preset, enter a name, then tap **Save**.

Important: Make sure there is nothing on the scale when you create the preset as the device will also save the weight of the mailpiece.

Selecting a preset

Select a preset to quickly select a commonly-used group of settings.

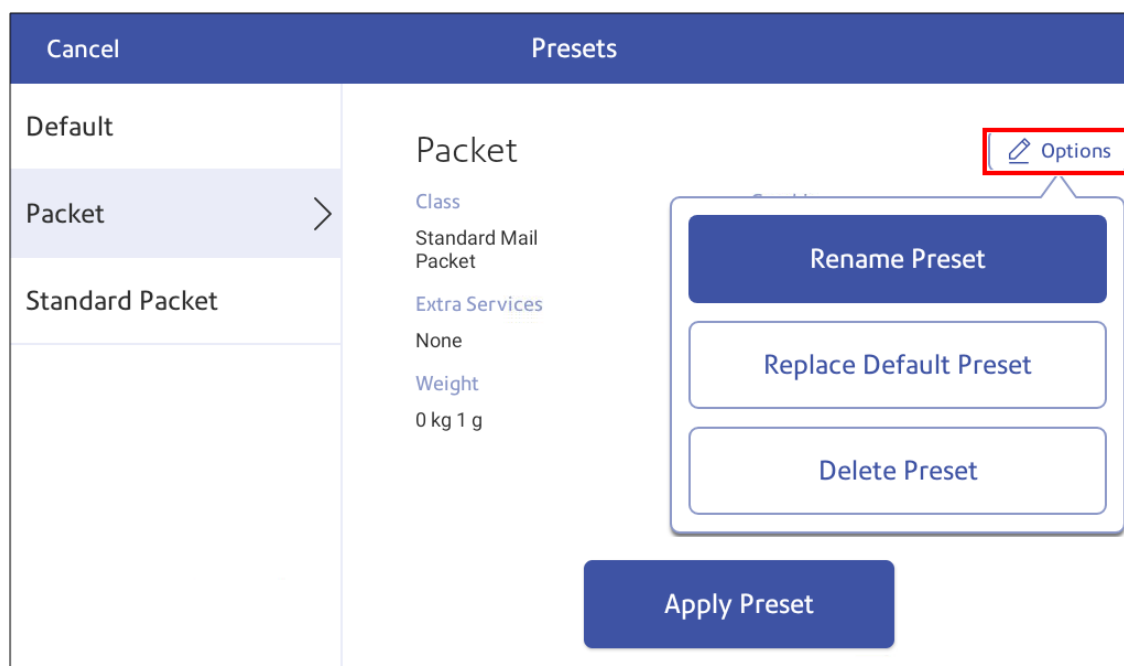
1. Tap **Print on Envelopes** on the Home screen.
2. Tap **Preset**.
3. Tap the preset you want to use, then tap **Apply Preset**.

If you select a preset and do not use it within about one minute, the Print on Envelopes app restores the default preset values. The same is true when you switch your device off or it enters sleep mode.

Modifying presets

Modify a preset to rename a preset, replace the default preset or delete a preset.

1. Tap **Print on Envelopes** on the Home screen.
2. Tap **Preset**.
3. Tap the preset you wish to modify.

4. Tap **Options**.

5. Tap the option you want.

Setting the default preset timer

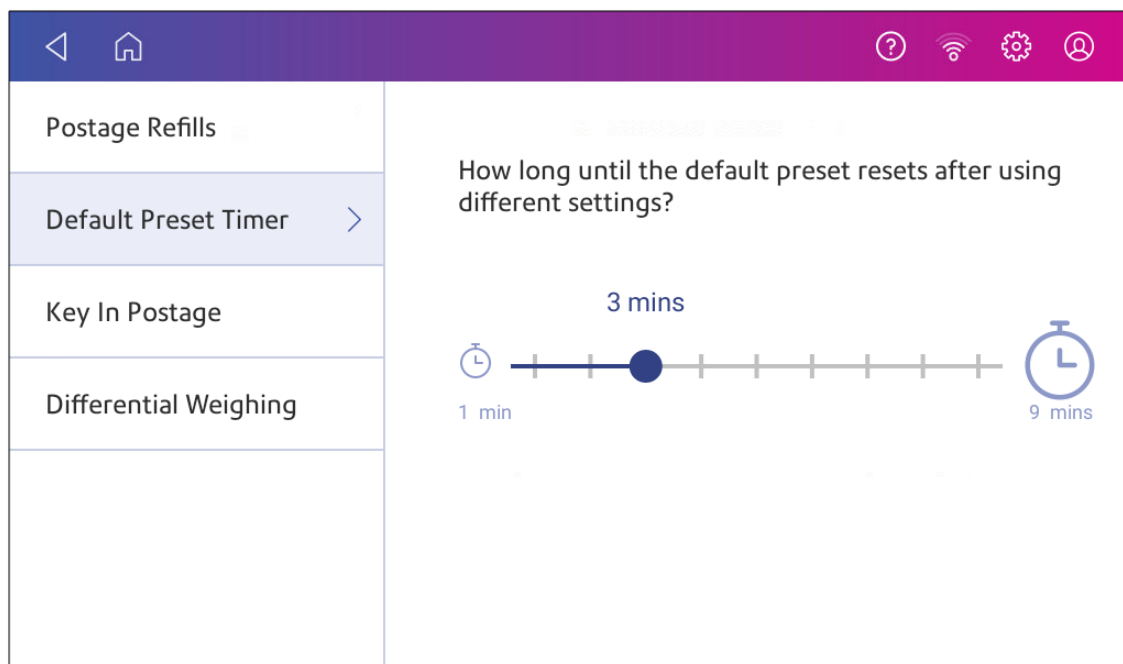
The default preset timer will reset your device to your most commonly-used settings. By default, the preset timer resets your device after one minute of inactivity. You can change this time if necessary.

1. Tap **Settings**.

2. Scroll down to the Envelope Printer Settings section.

3. Tap **Default Preset Timer**.

- Use the slider to set the time between 1 and 9 minutes.

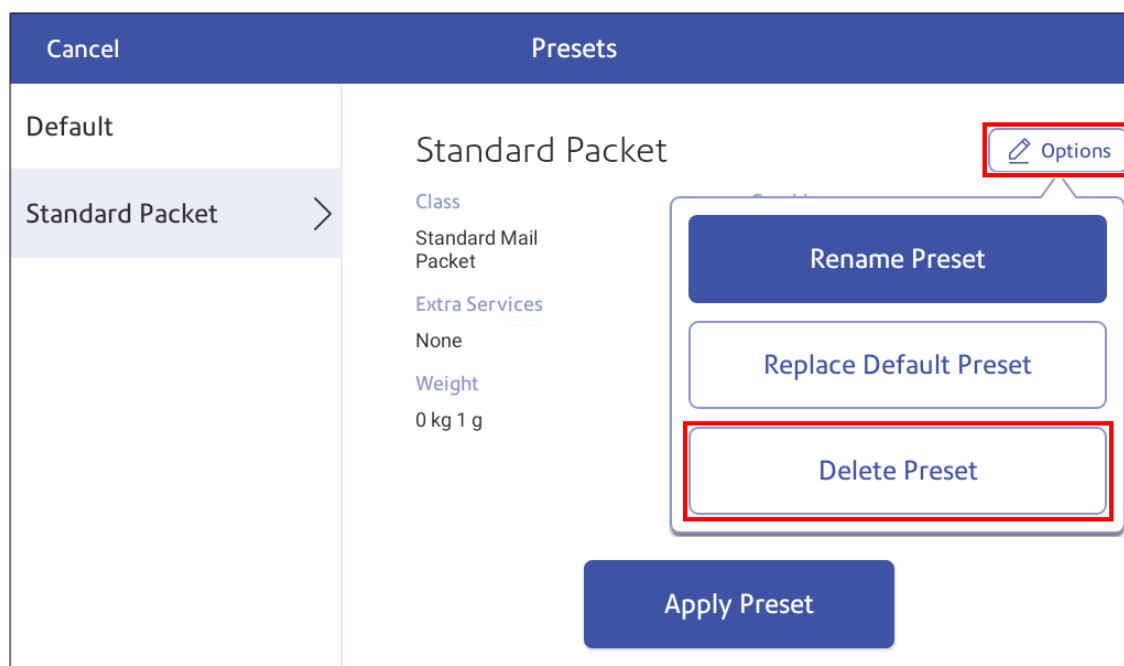


- To save the value and exit the screen, tap the **back arrow** or **Home**.

Deleting a Preset

Delete a preset when you no longer use this group of settings on your device.

- Tap **Print on Envelopes** on the Home screen.
- Tap **Preset**.
- Tap the preset you want to delete.

4. Tap **Options**.

5. Tap **Delete Preset** twice.
6. Tap **Cancel** to return to the Print on Envelopes app.

Advancing the date

Advance the date to print postage up to thirty days before you need to send it.

1. Tap **Print on Envelopes** on the Home screen.
2. Tap the date. The calendar appears.
3. Tap **Tomorrow** or **Another Date**, depending on the date you wish to print.
4. When you see the future date highlighted on the calendar, tap **Apply**.
5. Place the envelope or envelopes on the feed deck. Depending on the SendPro C model you have, feed the envelopes manually or tap **Start** to feed the envelopes.

Important: The date on the postage should match the date when your mail goes to the post office. Your device automatically advances the printed date on the device stamp (as well as its internally held date) when the device time reaches 5:00 PM. You cannot change this time.

Adjusting display brightness

Set the brightness of the display to suit your work space.

1. Tap **Settings**.



2. Tap **Display Brightness** in the Device & Network section of the screen.
3. Move the slider to adjust the brightness.
4. Tap the **back arrow** or **Home** to exit the Settings screen.

Adjusting the scale location code

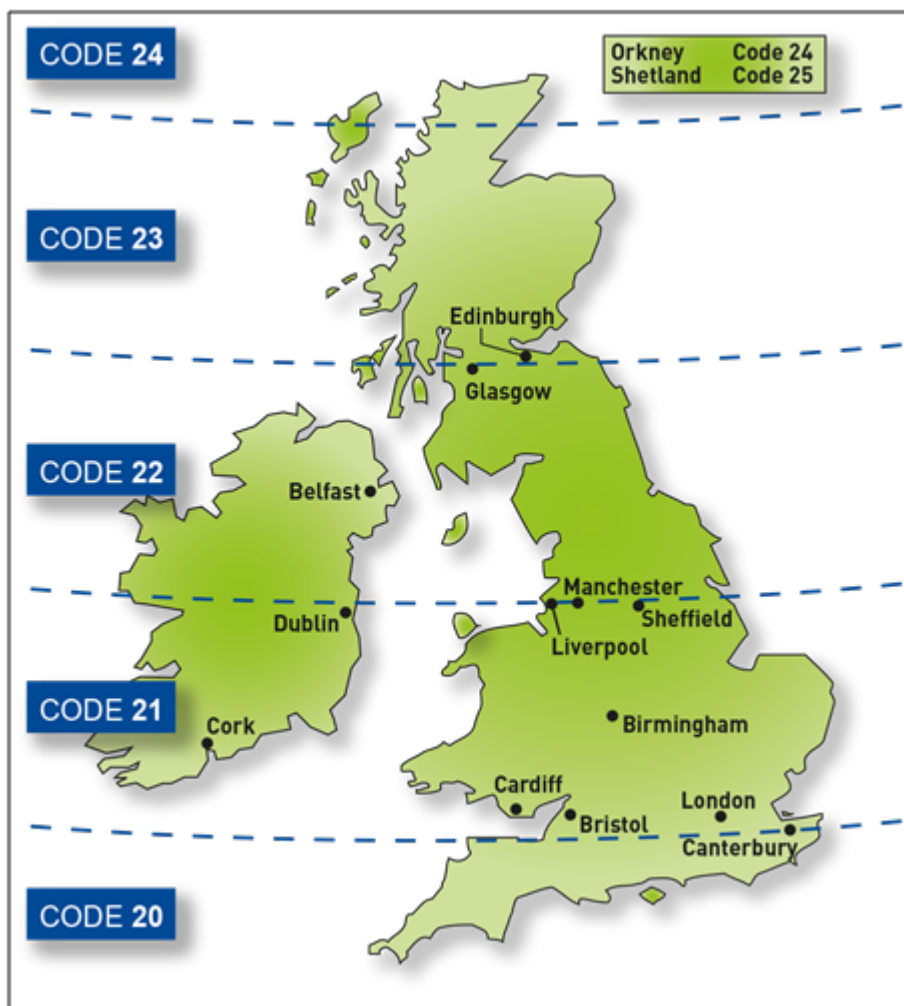
When you move your device to a new address in a different region or install a new scale, check the scale location code is still correct.

1. Tap **Settings**.



2. Tap **Location & Time Zone**.

3. Check the location code is correct.



4. Tap **Apply** to confirm.

Clearing or resetting the number of mailpieces sent

Reset the piece counter to delete the piece count information.

Make certain that you wish to delete the piece count information. Once you do so, you cannot restore the deleted data.

1. Tap **Print on Envelopes** on the Home screen.
2. Tap **Pieces**.
3. Tap **Reset Counter to 0**.

Creating or disabling the security PIN

Create a security PIN to prevent unauthorised use of your device.

If you created a security PIN when you installed your device, you must enter it when you turn your device on or after it enters sleep mode.

Create a security pin

1. Tap **Settings**.



2. Tap **Security PIN** in the Device & Network section.
3. Tap **Create PIN**.
4. Enter a 4-digit numeric PIN using the keyboard on the display.
5. Verify your PIN by entering it again.

Change or disable the security PIN

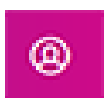
1. Tap **Settings**.



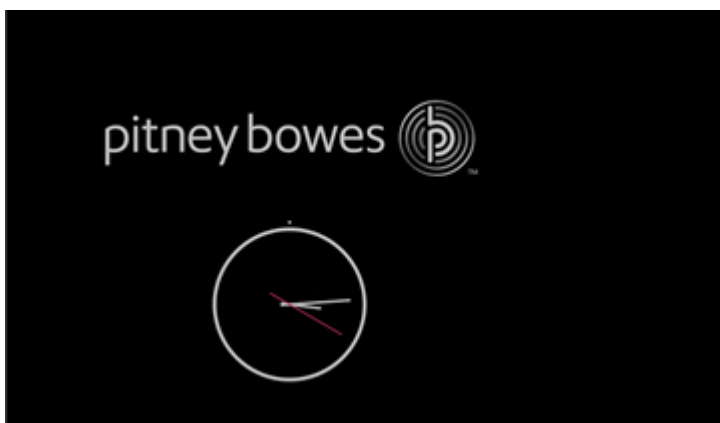
2. Tap **Security PIN** in the Device & Network section.
3. Tap **Change PIN** or **Turn OFF Security PIN**.
4. Enter the current security PIN for either option.

Manually lock your device

1. Tap the user profile image.



2. Tap **Lock this device**. The screen saver displays shortly after the Device is Locked screen appears.



If you forget your Security PIN, tap on the **Forgot PIN?** link to get help.

Uploading postage transactions

Automatic upload of your postage transactions

- Your device automatically uploads your postage transactions to the Pitney Bowes Data Center. This occurs at least once during the day and once after hours.
- If you lock your device or turn it off for any extended period, it automatically uploads your transactions when you turn it on again.
- If you see the message "Sync your data", it means you need to upload your transactions.

Important: If your device had connection issues recently, it may require multiple uploads to upload transactions. If the device prompts you to upload more than three times, please contact technical support.

Manual upload of your postage transactions

1. Tap **Settings**.



2. Scroll down to the Envelope Printer Settings section.

3. Tap **Sync Transaction Data**.

- A series of messages appear, starting with "Preparing Transaction Data" followed by "Sending Transaction Data."
- Once the upload is complete, the message "Transaction Data Sent" appears.
- The message "No Sync Required" appears if there are no new transactions to upload.

Uploading system logs

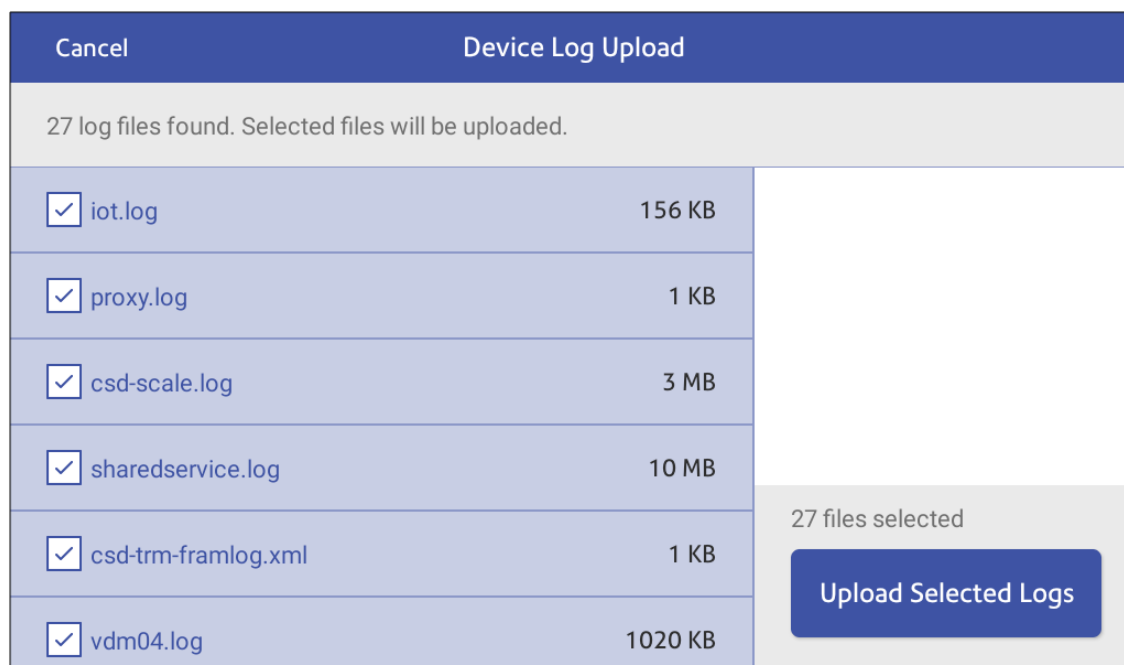
Your device creates system logs that monitor operations on your device. If you need to upload system logs to a Pitney Bowes support representative, you can find them in the Advanced Device Options section under Settings.

1. Tap **Settings**.

2. Scroll down to the Advanced device Options section.

3. Tap **System Log Upload**.

4. Select the logs you want to upload.

5. Tap **Upload Selected Logs**.6. The message **Sending Log Files** appears. Once the upload is complete, the message **Upload**

Complete appears.

7. Tap **Got It** to return to the Home screen.

13 - Rate Change

In this section

Updating postal rates or software.....	102
--	-----

Updating postal rates or software

Update software and rates automatically

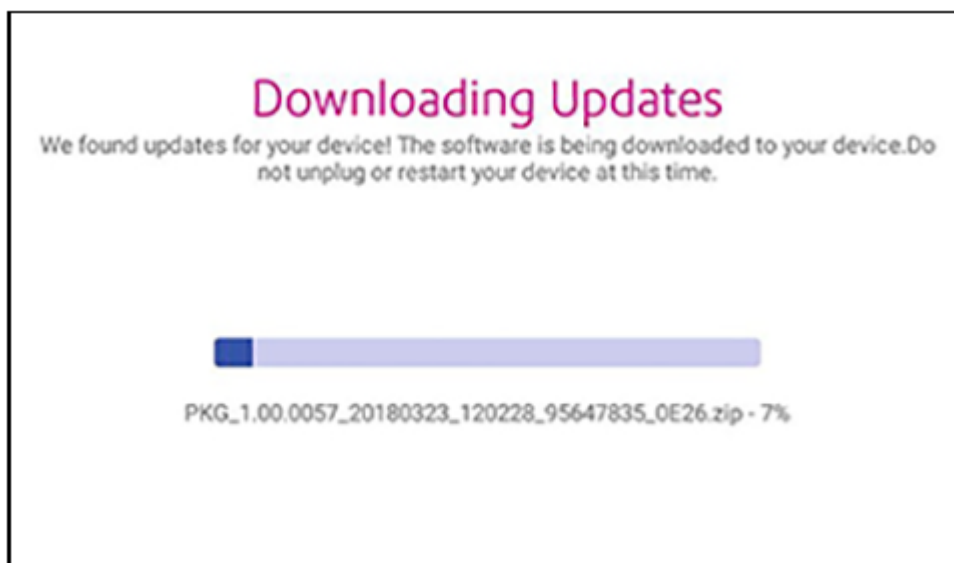
Your device updates postal rates and software automatically.

Keep your device turned on and connected to the internet to receive automatic updates. The device downloads updates during the evening hours.

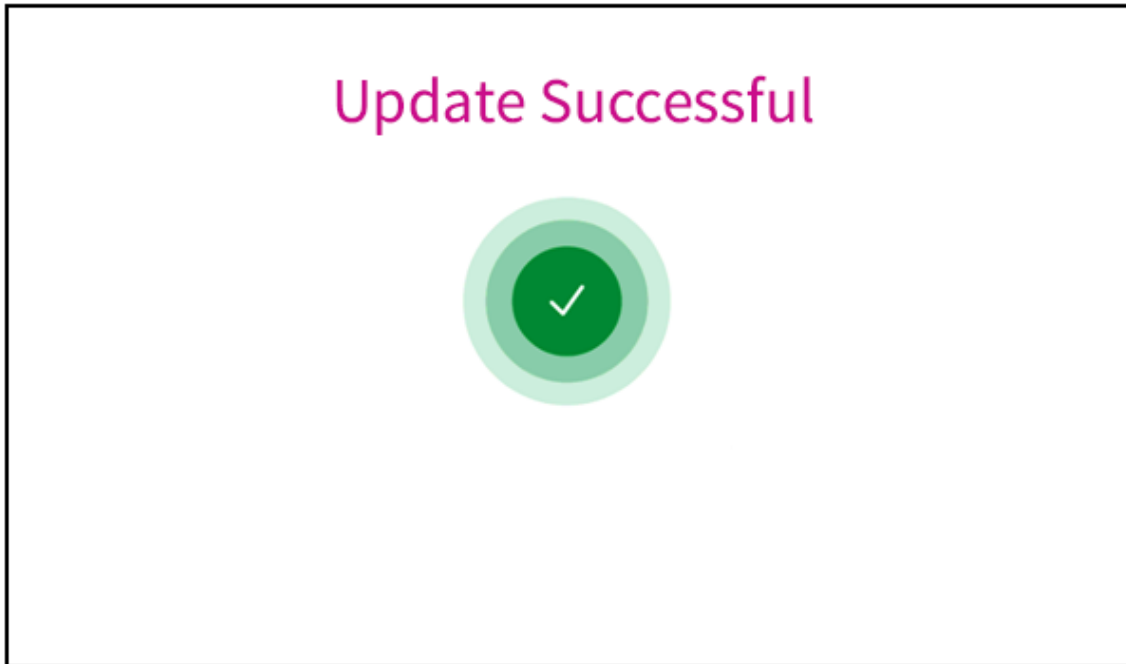
Check for rate or software updates manually at any time

Even though your device checks for updates automatically, you can check for rate and software updates at any time.

1. Tap **SendPro Apps**, then tap **Rates and Updates**.
2. If new rates are available, your device downloads and installs the updates. **Your C-Series is up to date** appears if no new updates are available.



3. Once the download and install process completes, the message "Updates successful" appears.



14 - Maintenance

In this section

Cleaning the printhead.....	105
Cleaning the moistener brush and wick assembly.....	109
Supplies.....	117

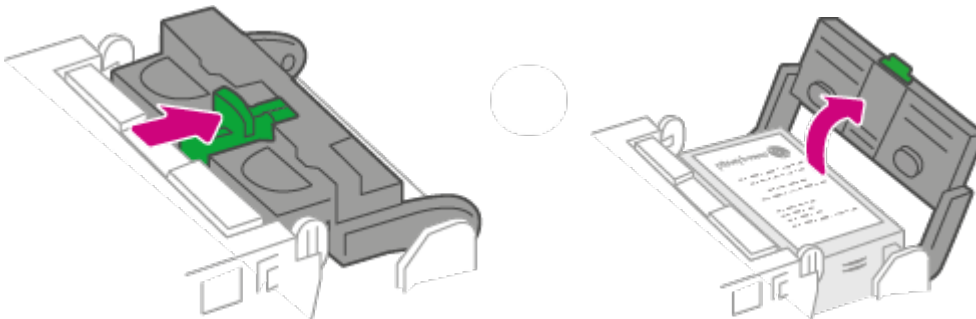
Cleaning the printhead

If you clean the print nozzle and you still get a bad test print pattern, try cleaning the printhead.

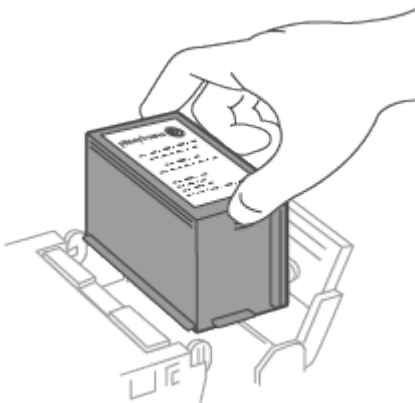
1. Tap **Settings**.



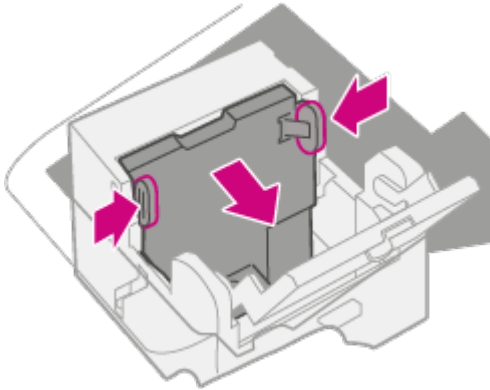
2. Scroll down and tap **Envelope Printer Maintenance**.
3. Tap **Install Printhead**.
4. Lift the cover. The ink cartridge moves to the front position.
5. Flip the ink cartridge cover open.



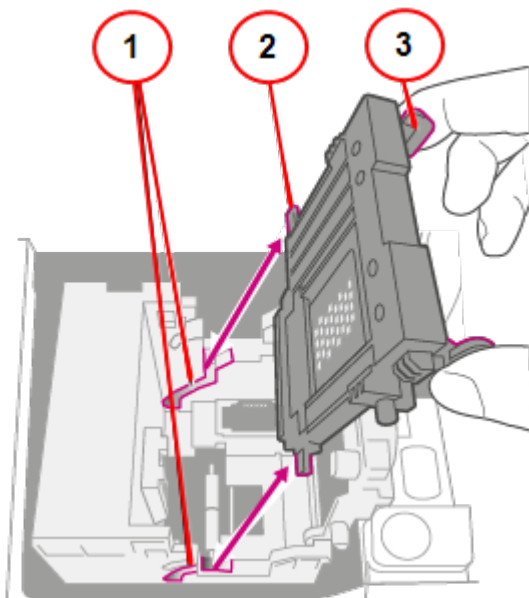
6. Remove the ink cartridge.



7. Squeeze the tabs on either side of the printhead.

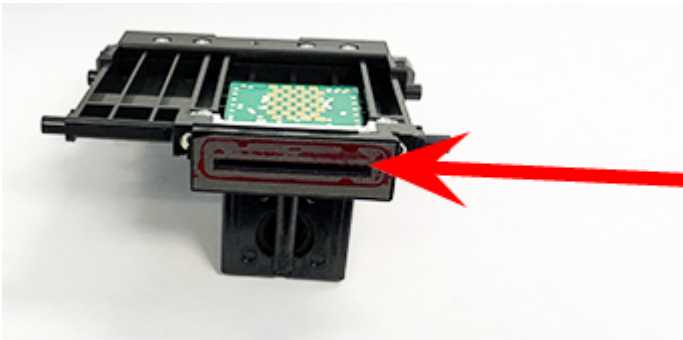


8. While squeezing, lift and tilt the printhead to the right. The printhead should come up out of the device.



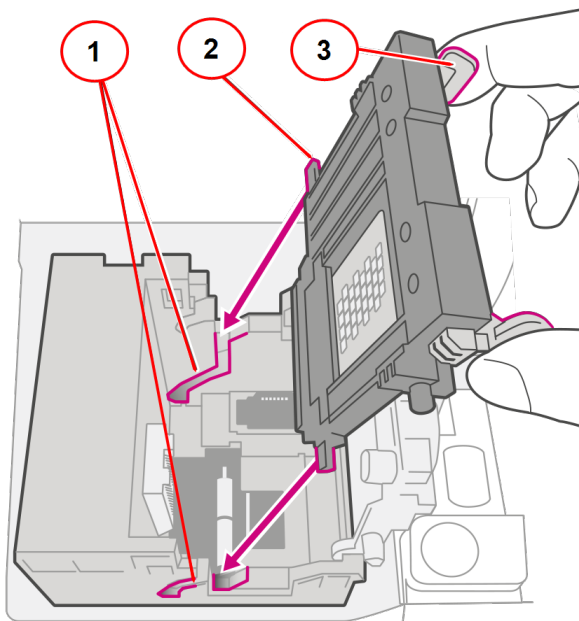
1. Grooves.
2. Peg.
3. Tab.

- Clean off the printhead by wiping the surface of the printhead with a dry, lint-free cloth or a foam swab.



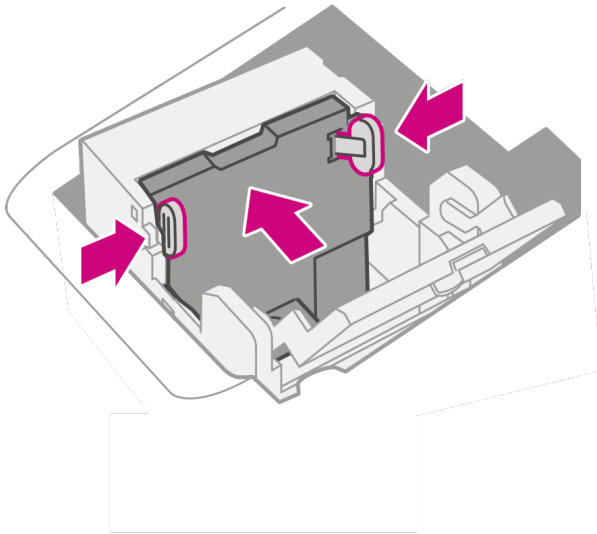
- Squeeze the tabs and slide the printhead pegs into the lower set of grooves.

Warning: If you do not seat the printhead correctly it can damage the device.

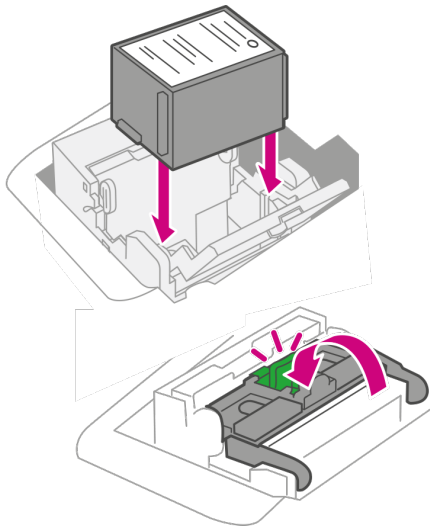


- Grooves.
- Peg.
- Tab.

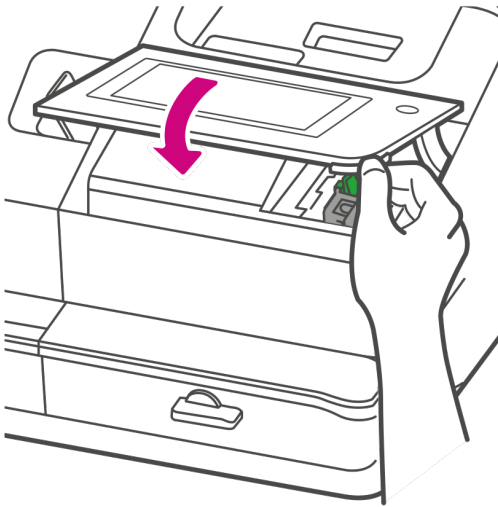
11. Keep squeezing the tabs and push the printhead flush against the wall. The tabs snap outward when placed correctly.



12. Install the ink cartridge and close the guard.



13. Close the cover. The ink cartridge moves back to the original position.

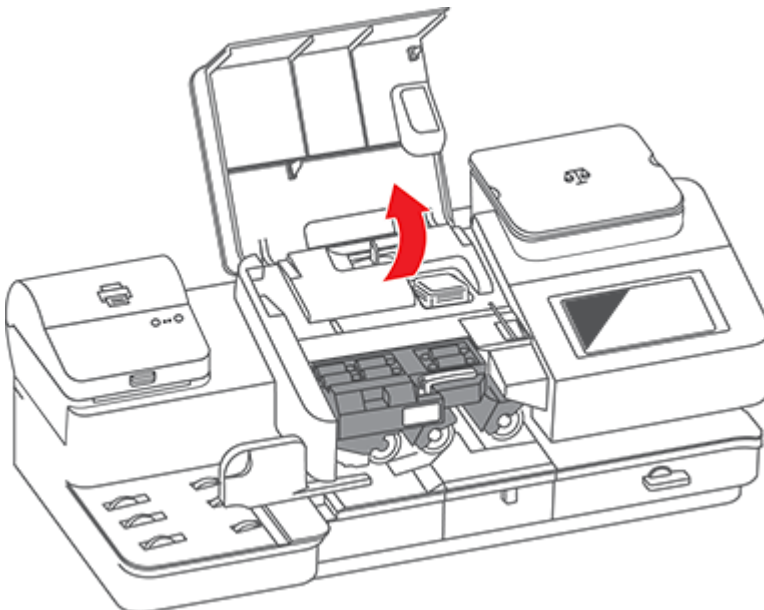


14. Tap **Done**.
15. Print a print test pattern to be sure that your printhead is functioning properly.
16. If the test pattern looks good, tap **Done**.

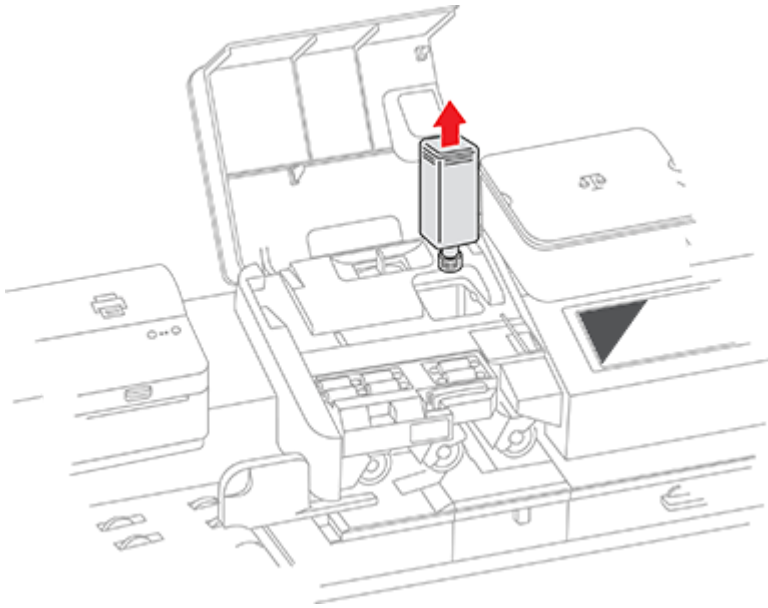
Cleaning the moistener brush and wick assembly

If the moistener tank is full and your envelopes are not sealing properly, clean the moistener brush and wick.

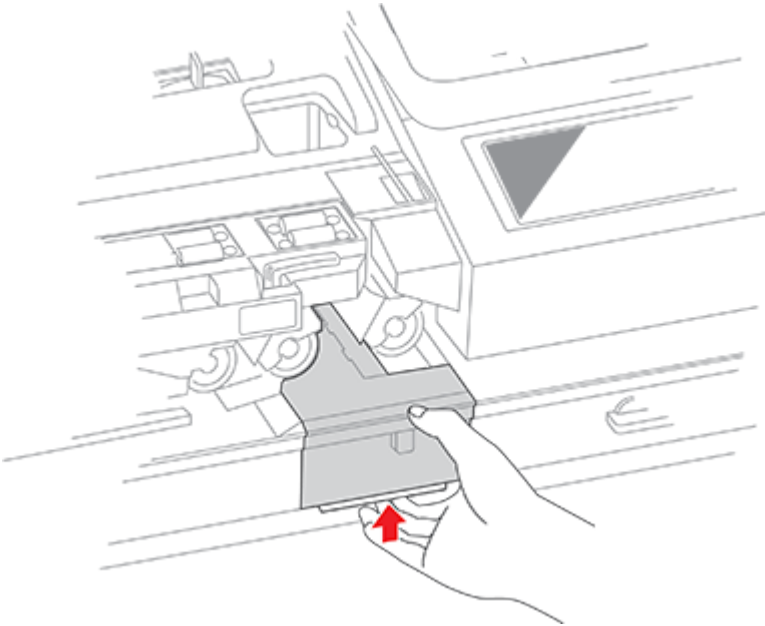
1. Open the feeder cover.



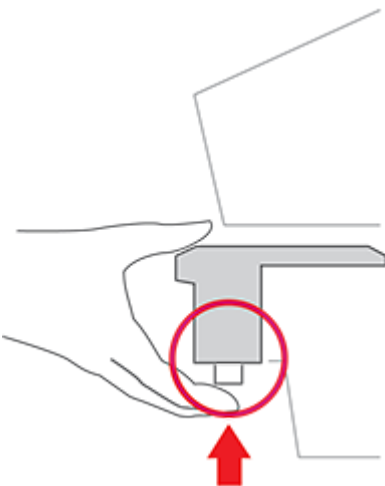
2. Remove the moistener bottle from the device.



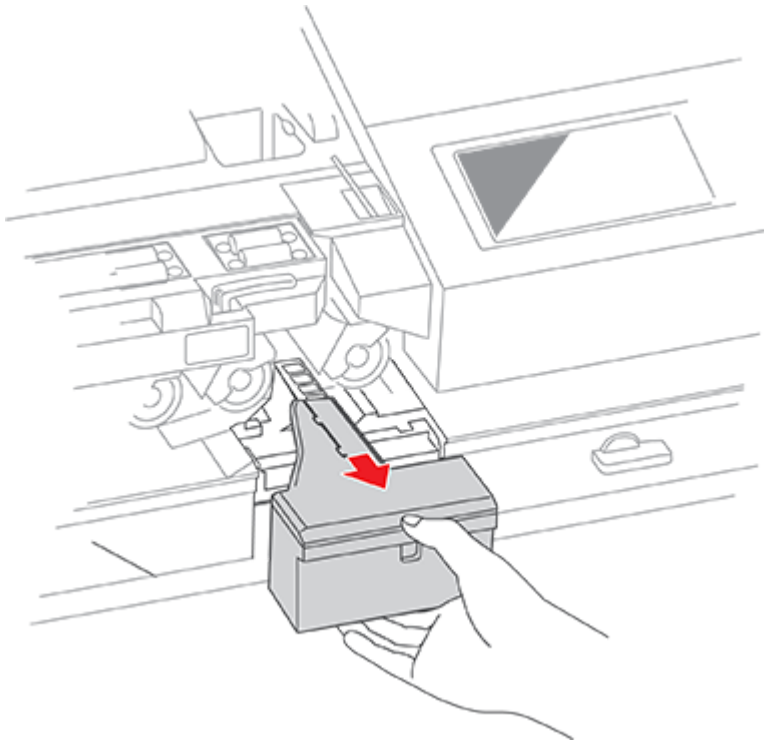
3. Grasp the moistener brush assembly and depress the moistener release button.



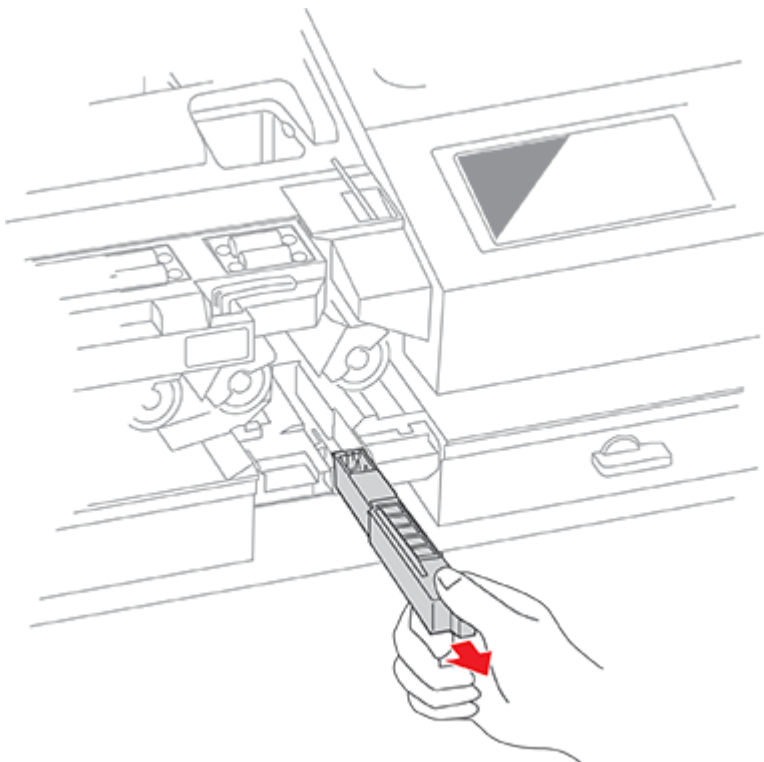
The release button is located on the underside of the moistener assembly.



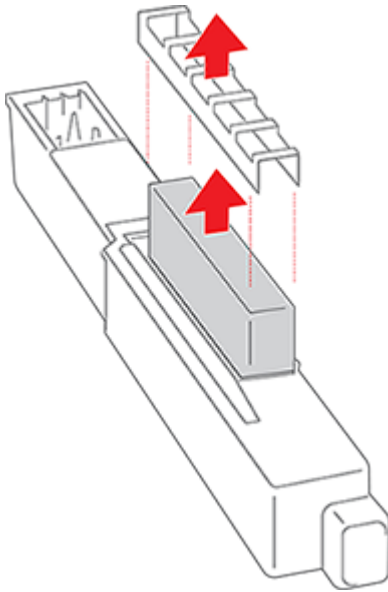
4. While continuing to press the release button, slide the moistener brush assembly straight out toward you.



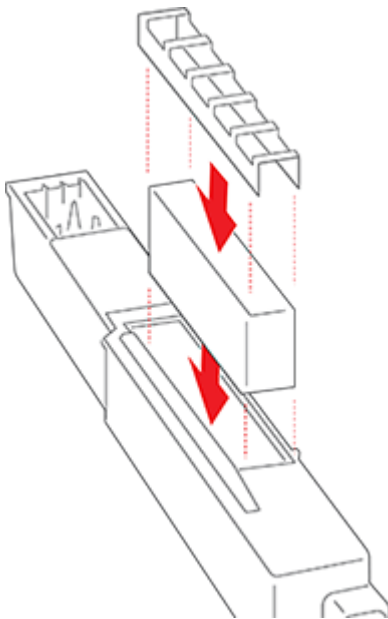
5. Slowly and carefully pull the moistener tank (located under the moistener bottle) out toward you. This may contain EZ-Seal solution.



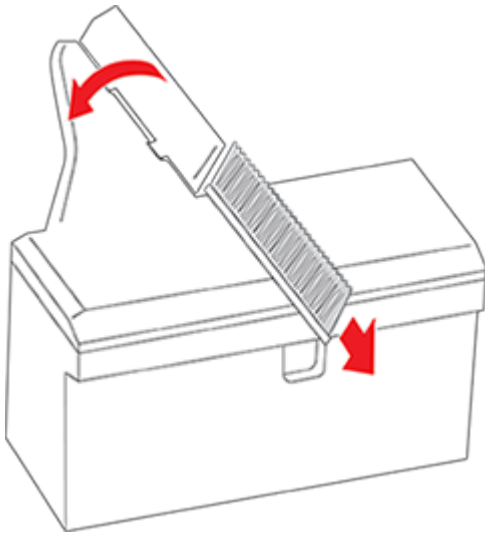
6. Separate the shield from the wick. Clean the wick in plain water and rinse thoroughly. Blot excess water from the wick.



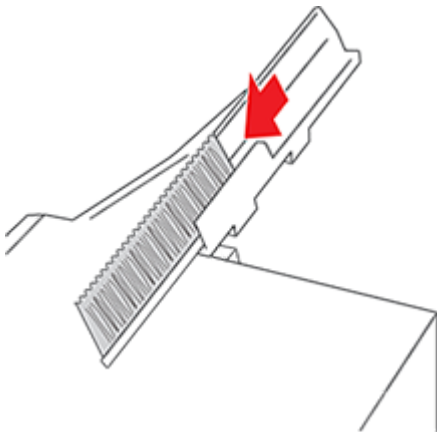
7. Replace the wick and shield.



8. Remove the moistener brush by sliding it out of the moistener brush assembly.

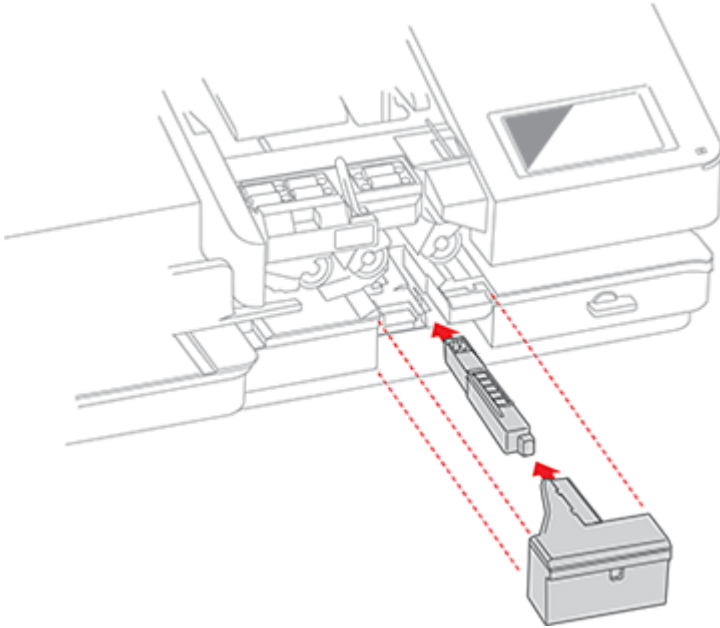


You may need to exert some pressure to remove the brush.

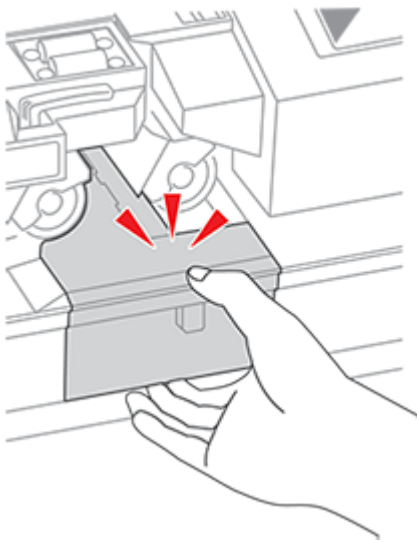


9. Clean the brush by running it under plain water. Blot the excess water from the brush after rinsing it. Replace the brush if you cannot clean it thoroughly.

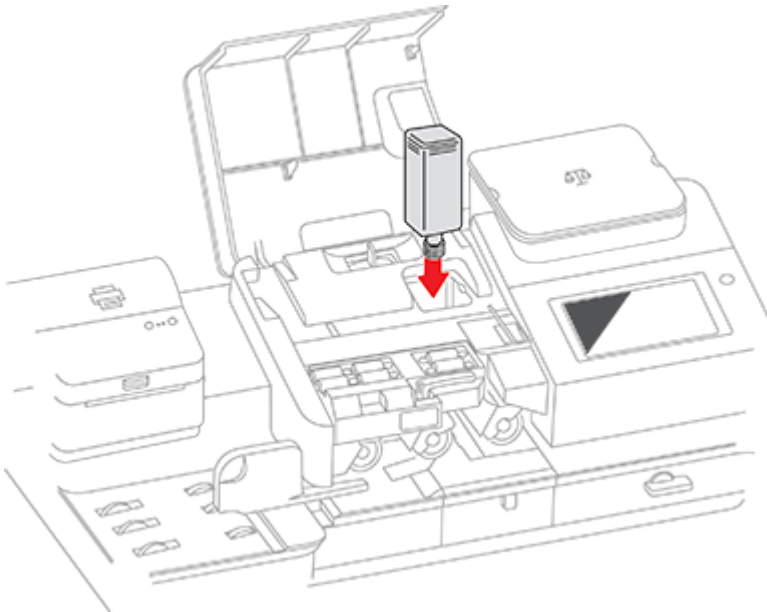
10. Slide the moistener tank back into the device, followed by the moistener brush assembly.



You should hear the moistener brush assembly click into place.



11. Replace the moistener bottle.



12. Close the feeder cover.

Supplies

Visit our [supplies website](#) to order supplies for your device.

15 - Product Information

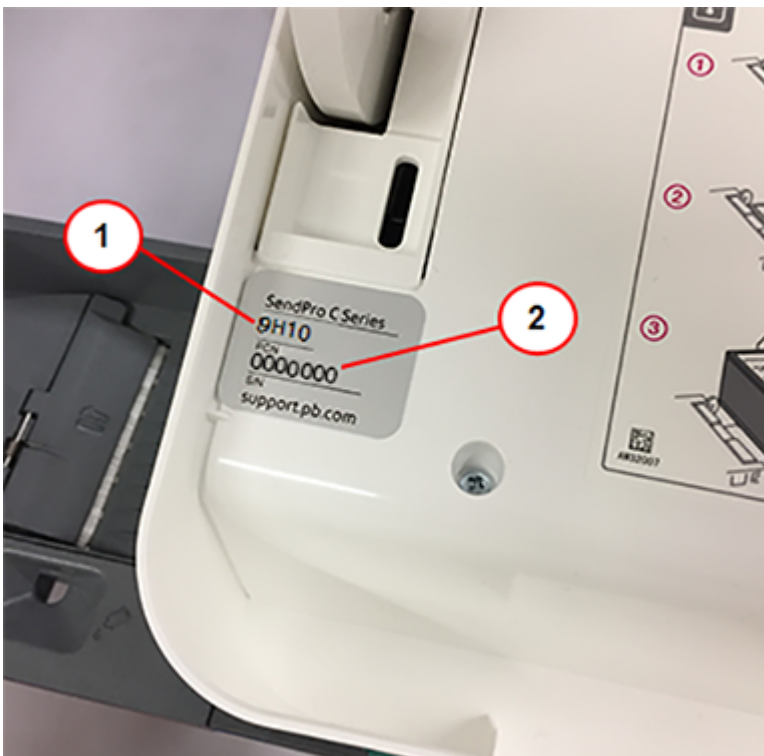
In this section

Finding the Product Code Number (PCN) and serial number	119
Navigating the Home screen	120
Navigating the Print on Envelopes app	120
Connections on the back	122
An Post requirements	122
Parts of the SendPro C Auto	123
Parts of a postal frank	124
Postal Security Device	124
Specifications	125
Material specifications	128
Moving the SendPro C Auto	130
Safety	131
Contacting Pitney Bowes	133
Third party software	134

Finding the Product Code Number (PCN) and serial number

In order to find the correct information for your device, you need to know the model number.

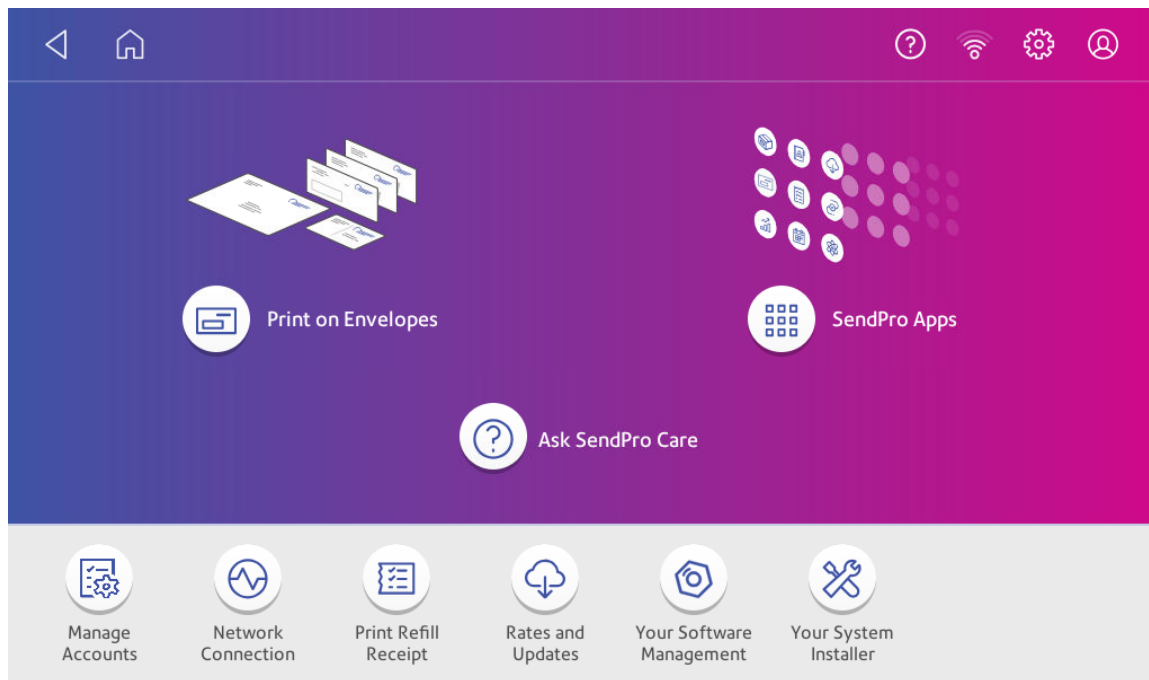
To locate the **(1) Product Code Number (PCN)** and the **(2) 7-digit serial number**, check the label on the rear of the device or under the display cover. The serial number appears as zeros here for security reasons.



Navigating the Home screen

The Home screen on the SendPro C Auto provides the starting point for printing postage.

Tap the Home icon in any screen to return to the Home screen.

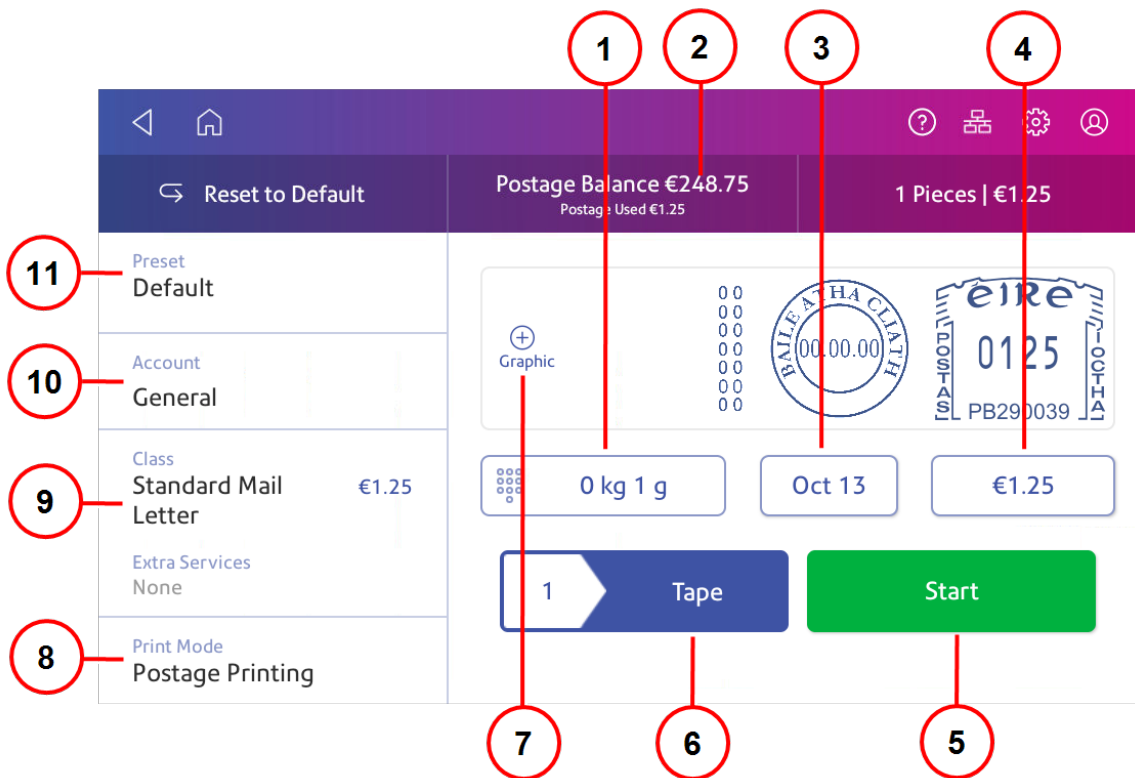


- Tap **Print on Envelopes** to print envelopes, post cards and small parcels.
- Tap **SendPro Apps** to view additional apps.
- Tap **Ask SendPro Care** to get information and help for your device.

Navigating the Print on Envelopes app

The Print on Envelopes app is the starting point for printing postage on an envelope or a tape. It also allows you to change what you print.

To open the Print on Envelopes app, tap **Print on Envelopes**.

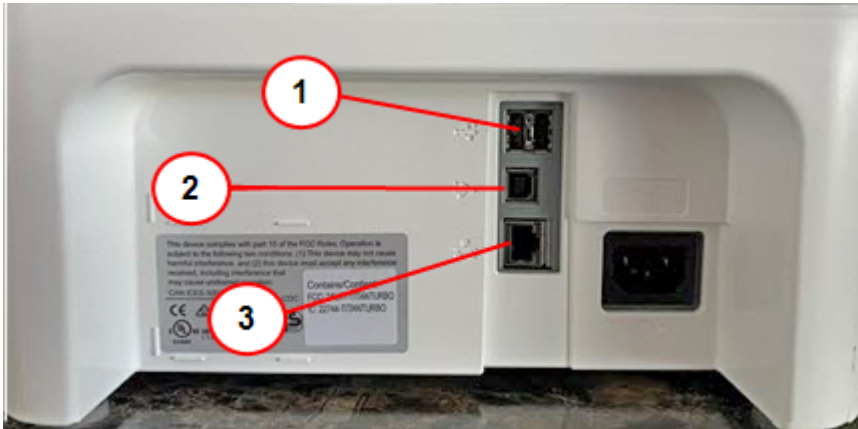


On this screen, you can:

1. **Weight** - Tap the weight to view the weighing options. You can enter the weight manually or use a scale.
2. **Postage Balance** - View the balance of funds you have remaining in your device.
3. **Date** - Tap the date to view the date options.
4. **Total postage amount** - View the total postage amount.
5. Tap **Start** to begin feeding and printing postage on the envelopes loaded on the feed deck. The **Start** button is only present on SendPro C models equipped with an automatic feeder.
6. Tap **Tape** to begin printing postage on tape. To print more than one tape, tap the number next to **Tape** and enter the number of tapes. **Tape** is only present on SendPro C models equipped with an automatic feeder.
7. **Graphic** - Tap **Graphic** to preview or add graphics.
8. **Print Mode** - View the available printing modes such as printing a graphic only, printing the date and time, or seal envelopes without printing postage.
9. Tap **Class** to view the class and any extra services.
10. **Account** - Tap **Account** to charge back postage to departments or clients. Run reports showing how you spent your postage over specific time periods.
11. **Preset** - Tap **Preset** to store a group of commonly-used settings. Presets can store settings such as a postage class, an account and a graphic.

Connections on the back

Familiarize yourself with the ports on the back of your device.



1. **USB port type A host** - Connect a Barcode scanner or external scale to these ports.
2. **USB port, type B host** - Service personnel use only.
3. **RJ45** - Use for a wired network connection.

An Post requirements

To prevent mail delays or rejections, follow An Post requirements.

Your device (Postal Security Device) has a license with the An Post. Therefore, you must follow a few basic requirements.

- Mail must have the correct date and postage amount shown.
- Always ensure that your postal prints are clear and complete. Poor prints may result in An Post being unable to offer the service you requested. Prevent mail rejections by An Post by ensuring mail is legible.
- If you move to another address, you must update An Post records. Contact your local device supplier for advice.
- Postal printing ink and the tape sheets for putting postage on larger items must conform to postal specifications. For best performance, obtain ink cartridges and tape sheets directly from your device supplier.
- Each time you add postage to the device, a postal inspection occurs, as required by An Post. If the interval between inspections is too long, the screen prompts "Inspection Due." Eventually, if an inspection does not occur, the device prompts "Inspection Required." You won't be able to use your device until you complete an inspection.

Parts of the SendPro C Auto

Familiarize yourself with the parts of your SendPro C Auto.



1. **Integrated scale** - Weigh envelopes and packages.
2. **Touch Screen Display** - Allows you to enter and set up information on your device.
3. **Postage Printer Cover** - Open to get access to the ink cartridges.
4. **Stacker Tray** - Provides for neat stacking of printed envelopes.
5. **Transport Release Lever** - If a stall occurs on the transport deck, turn this to clear the envelope, post card or tape strip.
6. **Printer Deck** - Envelopes or post cards pass along the printer deck where your device prints the postage.
7. **Moistener** - Applies sealing fluid to the envelope flap. You can seal envelopes or leave them unsealed, depending on the position of the Seal/No Seal lever.
8. **Feed Deck** - Supports your envelope, post card or tape sheet as it passes into the feeder.
9. **Side guide** - The moveable guide at the front of the feed deck. It stabilizes envelope position when feeding.
10. **Label Printer** - Prints shipping labels.
11. **Feeder Cover** - Provides access to the moistener bottle and the feeder release lever. You can use this release lever to disengage the feeder rollers from the feeder deck if you need to clear a stoppage.
12. **Seal or No Seal Lever** - Allows you to turn envelope sealing on and off.
13. **Tape Feeder** - Stores and feeds tape strips for postage printing.

Parts of a postal frank

The postal frank contains elements that identify the mailer and the type of mail. Optional parts include Envelope Messaging.



Required parts

1. An Post security numbers
2. Town Circle
3. Postage amount
4. Meter serial number

Optional parts

5. Optional Envelope Messaging

Postal Security Device

The postage meter on your mailing system is a Postal Security Device (PSD) that secures your postage funds. It includes the latest technology approved by An Post. This technology eliminates the need for An Post to perform physical inspections, thereby making your device easier and more convenient for you to use.

Specifications

Review the specifications of your SendPro C Auto including the throughput, ink cartridge yield, and other component details.

Power requirements

100-240 VAC, 50/60 Hz, 2.0 A

Operating Temperature

13°C to 35°C

Sound Level

Less than or equal to 70 dBA re 20 micro Pascal in accordance with ISO 7779, ISO 3744, or ISO 3741.

Dimensions

As shown (cover closed, drop stacker retracted, side guide retracted):



1. Length: 1061 mm
2. Width: 489 mm
3. Height: 318 mm

With side guide fully extended:

- 1061 mm L x 610 mm W x 318 mm H

With feeder cover in up position:

- 1061 mm L x 489 mm W x 559 mm H

With drop stacker fully extended:

- 1232 mm L x 489 mm W x 318 mm H

Weights

- Weight without scale: 17 kg
- MP 81 Scale: 1.32 kg
- MP 82 Scale: 1.9 kg
- Drop Stacker: 0.6 kg

Throughput (Letters Per Minute)

Up to 120 letters per minute.

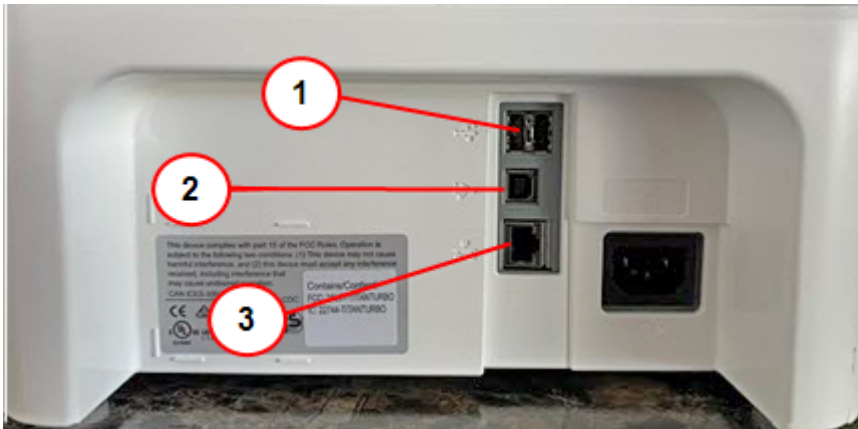
Actual throughput varies, depending on the material used, machine condition, use of moistener, etc.

Ink Cartridge Life

8,800 imprints or 6 months, whichever comes first with existing 45 ml cartridge (at 88 pieces/day, 21 working days/month, and at 75 °F)

These values are for device imprints only and do not include envelope ads. Actual ink yields vary with usage, graphics printed, and environmental conditions.

Ports



1. **USB port type A host** - Connect a Barcode scanner or external scale to these ports.
2. **USB port, type B host** - Service personnel use only.
3. **RJ45** - Use for a wired network connection.

Display

7 inch tablet (169 pixels/inch)

Print Resolution

300 H x 600 V DPI

Print Image Area

25.4 mm x 180 mm

Tape strips

Self-adhesive, dual tape strip for use on mailpieces that are too large to run in the device. Ideal for adding postage to oversized envelopes, priority mail, and packages.

Graphics

Up to 20 graphic ads on the device.

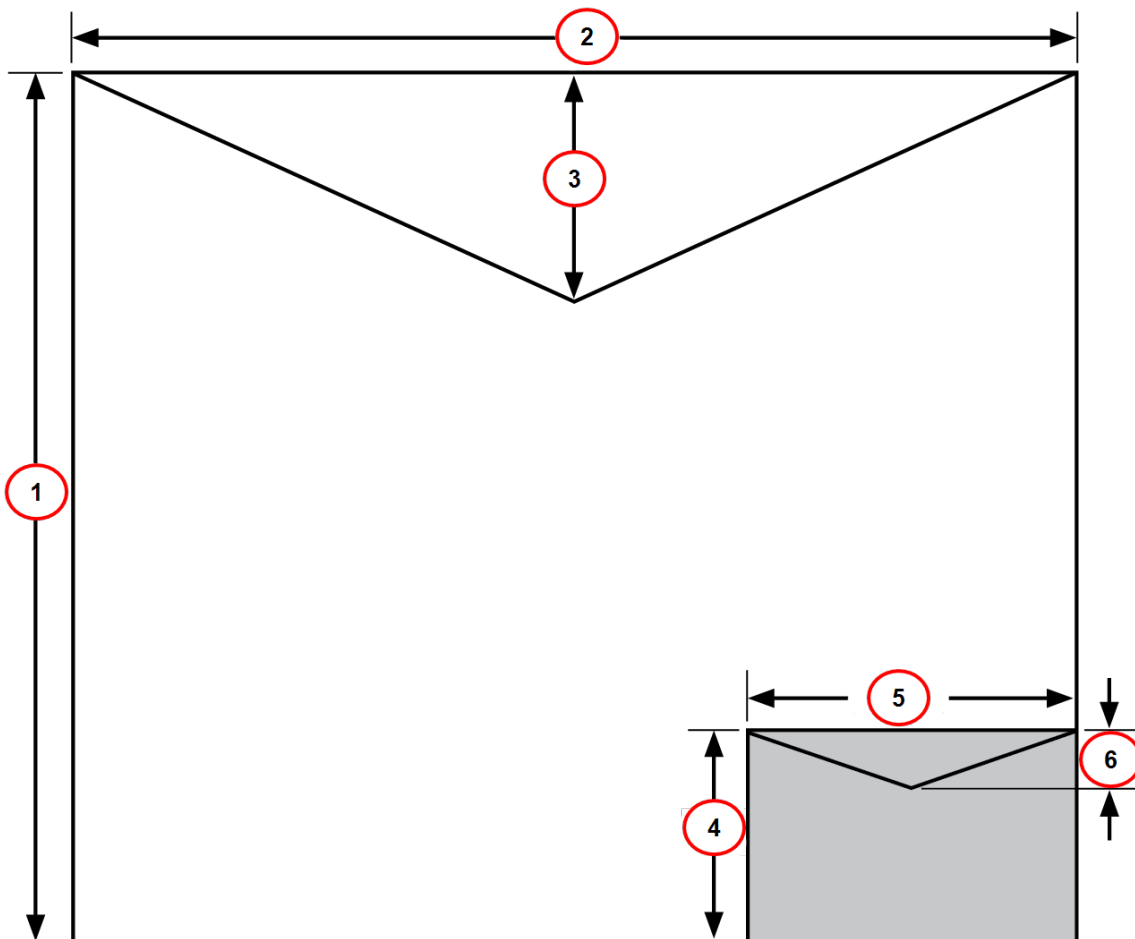
Connectivity Options

- Wired Ethernet connection.
- Wireless connectivity.
- SendPro Cellular connectivity device.

Material specifications

Review the material specifications including the minimum and maximum envelope sizes, envelope stack height, and tape size details.

Envelope dimensions



1. Maximum height: 330 mm.
2. Maximum width: 381 mm.
3. Envelope flap depth, maximum: 76 mm

4. Minimum height: 89 mm
5. Minimum width: 127 mm
6. Envelope flap depth, minimum: 22 mm

Envelope Thickness

- Minimum: 0.20 mm
- Maximum: 8 mm

Stack Height for Mail

- 76.2 mm – This is the height of the inner edge of the side guide

Envelope Weight

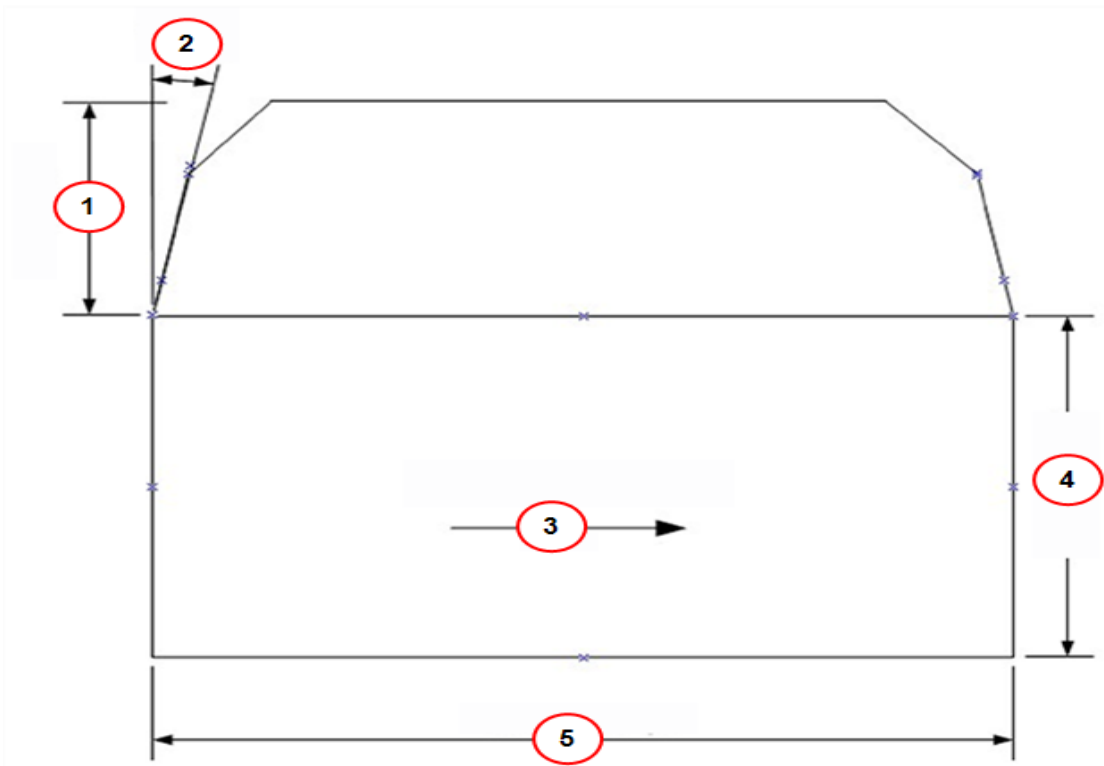
- Minimum: 1 g
- Maximum: 450 g

Tape Size

- Minimum: 44.2 x 100 mm
- Maximum: 44.7 x 200 mm

For a proper seal, the envelope's minimum flap angle must meet the following criteria:

- For envelopes with a flap length from 25-60 mm, the minimum flap angle is 18 degrees.
- For envelopes with a flap length greater than 60 mm to the maximum flap length for the particular model, the minimum flap angle is 21 degrees.



1. Flap length.
2. Minimum flap angle.
3. Mail processing direction.
4. Mailpiece length.
5. Mailpiece width.

Moving the SendPro C Auto

Move your device safely, whether you are moving it across the room or to a new facility.

1. If you have a scale, remove it from the device.
2. Remove the moistener assembly. Once you have removed and cleaned the assembly, place it in a zip-top bag to prevent any remaining fluid from leaking.
3. Remove the ink cartridge. Once you get the ink cartridge out, place it in a zip-top bag.
4. Close the top cover.
5. Remove all USB cables and optional peripherals such as scanners. Pack them with the device.
6. Unplug the power cord and pack it with the device.
7. Once in the new location, re-install all USB cables and peripherals.
8. Plug the power cord into the device and power outlet.

9. Re-install the ink cartridge.
10. Re-install the moistener assembly.

Safety

Lithium ion battery

This product contains a lithium ion battery. The battery must be recycled or disposed of properly. If you are leasing this product, you must return it to Pitney Bowes. Alternatively, contact your local waste disposal or recycle facility for instructions on how to dispose of it properly.

Agency compliance information

Agency Compliance Information can be found in the product's user guide. The user guide is available for download at: pitneybowes.com/ie/support

Important safety notes

Follow the normal safety precautions for all office equipment.

- Please read all instructions before you attempt to operate the system. Save these instructions for future use.
- Use only Pitney Bowes-approved supplies, in particular aerosol dusters. Improper storage and use of aerosol dusters or flammable aerosol dusters can cause an explosive-like condition that could result in personal injury and / or property damage. Never use aerosol dusters labeled flammable and always read instructions and safety precautions on the duster label.
- Use only the AC Power cord and AC Power adapter with the optional Thermal label printer supplied with your device and plug it into a properly grounded wall outlet that's located near the printer and easily accessible. Failure to properly ground the power adapter can result in severe personal injury and / or fire.
- The power cord wall plug is the primary means of disconnecting the machine from the AC supply. The unit is on whenever it is plugged into a live receptacle, even though the operator display may be blank.
- To obtain supplies, please contact our Supplies team to place orders.
- Material Safety Data Sheets can be obtained through the web or from our Supplies team.
- Avoid touching moving parts or materials while the machine is in use. Keep hands, loose clothing, jewellery and long hair away from all moving parts.

- Do not remove covers or defeat safety interlock switches. Covers enclose hazardous parts that should only be accessed by properly trained service personnel. Immediately report to service any damaged or non-functioning components that renders the unit unsafe.
- Place the unit in an accessible location to allow for proper venting of the equipment and to facilitate servicing.
- Do not use an adapter plug on the line cord or wall outlet.
- Do not remove the ground pin from the line cord.
- Place the printer so the AC power adapter is close to an easily accessible wall outlet. DO NOT use a wall outlet controlled by a wall switch or one that is shared with other equipment.
- DO NOT route the power cord over sharp edges or trap it between pieces of furniture. Make sure there is no strain on the power cord.
- DO NOT route the DC power cord that plugs into the printer over sharp edges or trap it between pieces of furniture. Make sure there is no strain on the DC power cord.
- Make sure the area in front of the wall outlet into which the AC adapter is plugged is free from obstruction.
- To reduce the risk of fire or electrical shock, DO NOT attempt to remove covers or disassemble the control panel or its base. The cabinet encloses hazardous parts. If you should drop or otherwise damage the unit, call Pitney Bowes.
- Before clearing a stoppage, be sure machine mechanisms come to a stop.
- When removing stalled material, avoid using too much force to protect against minor personal injury and damaging equipment.
- To prevent overheating, do not cover any vent openings.
- Operation of this equipment without periodic maintenance will inhibit optimum operating performance and could cause the equipment to malfunction. Contact your machine supplier for required service schedule.
- Read all instructions before attempting to operate the equipment.
- Use this equipment only for its intended purpose.
- Always follow the specific occupational safety and health standards for your workplace.
- Use only Pitney Bowes approved direct thermal label media.



Caution:

In case of an ink spill, leaking ink or excessive ink accumulation, immediately disconnect the power cord from the wall plug and contact Pitney Bowes. Customer Service Representatives are available Monday through Friday, 9:00 am - 5:00 pm.

Radio frequency transmitter compliance information

This equipment contains a radio frequency transmitter that has been certified for construction design based on regulations in Radio Law Article 38, Section 24 and the technical specifications in Certification Ordinance Article 2, Section 1, No. 19, 19-3, and 19-3-2. The certification mark and number is shown on the equipment's label.

SendPro® C Safety Agency Model 2H00 Power requirements

100-240 VAC, 50/60 Hz, 1.0 A

SendPro® C Auto Safety Agency Model 3H00 Power requirements

100-240 VAC, 50/60 Hz, 2.0 A

SendPro® C Auto (All models)

- Operating Temperature: 13°C (55°F) to 35°C (95°F)
- Sound Level: Less than or equal to 70 dBA re 20 micro Pascal in accordance with ISO 7779, ISO 3744, or ISO 3741.

Scale Safety

Precautions

Caution: This equipment is intended to be used with limited power circuits with SELV and Non-hazardous energy outputs.

- The scale is not legal for trade
- Do not exceed the scale's maximum weight limit
- Do not place lighted candles, cigarettes, cigars, etc., on the scale.
- Use the equipment only for its intended purpose.

Contacting Pitney Bowes

Your system information

Be sure to have the following information available before contacting Pitney Bowes Technical Support:

- **Product Name:** SendPro C Auto.
- **PCN and serial number:** check the label under the front cover of the machine.
- **Problem Description:**
 - What is happening and when
 - Are there any error messages?
- **Attempts to fix:**
 - What steps have you already tried to fix the problem?
 - If you tried, what happened?

Technical and Account Support:

Visit our website at:

<https://www.pitneybowes.com/ie/support>

Pitney Bowes Supplies

Visit our website at:

<https://www.pitneybowes.com/ie/supplies.html>

Third party software

Third party software may have been incorporated into this product by Pitney Bowes Inc. (“PBI”) under permission from PBI’s licensors. Any special terms and conditions that apply to such software are provided below:

This product contains the following software:

- Okhttp3 which is licensed under the Apache License, Version number 2.0. The license can be downloaded from: <http://www.apache.org/licenses/LICENSE-2.0.html>. The source code for this software is available from <http://square.github.io/okhttp/>.
- Retrofit which is licensed under the Apache License, Version number 2.0. The license can be downloaded from: <http://www.apache.org/licenses/LICENSE-2.0.html>. The source code for this software is available from <https://square.github.io/retrofit/>.
- Okio which is licensed under the Apache License, Version number 2.0. The license can be downloaded from: <https://github.com/square/okio/blob/master/LICENSE.txt>. The source code for this software is available from <https://github.com/square/okio> .

- Commons-codec which is licensed under the Apache License, Version number 2.0. The license can be downloaded from: <http://www.apache.org/licenses/LICENSE-2.0.html>. The source code for this software is available from https://commons.apache.org/proper/commons-codec/download_codec.cgi.
- Commons-io which is licensed under the Apache License, Version number 2.0. The license can be downloaded from: <http://www.apache.org/licenses/LICENSE-2.0.html>. The source code for this software is available from https://commons.apache.org/proper/commons-io/download_io.cgi.
- Org.greenrobot:eventbus which is licensed under the Apache License, Version number 2.0. The license can be downloaded from: <http://www.apache.org/licenses/LICENSE-2.0.html>. The source code for this software is available from <http://greenrobot.org>.
- Org.greenrobot:greendao which is licensed under the Apache License, Version number 2.0. The license can be downloaded from: <http://www.apache.org/licenses/LICENSE-2.0.html>. The source code for this software is available from <http://greenrobot.org/greendao>.
- FasterXml:jackson.core:jackson-core which is licensed under the Apache License, Version number 2.0. The license can be downloaded from: <http://wiki.fasterxml.com/JacksonLicensing>. The source code for this software is available from <http://wiki.fasterxml.com>.
- Aws-android-sdk-core which is licensed under the Apache License, Version number 2.0. The license can be downloaded from: <https://github.com/aws/aws-sdk-android/blob/master/LICENSE.APACHE.txt>. The source code for this software is available from <https://github.com/aws/aws-sdk-android>.
- Aws-android-sdk-iot which is licensed under the Apache License, Version number 2.0. The license can be downloaded from: <https://github.com/aws/aws-sdk-android/blob/master/LICENSE.APACHE.txt>. The source code for this software is available from <https://github.com/aws/aws-sdk-android>.
- Aws-android-sdk-s3 which is licensed under the Apache License, Version number 2.0. The license can be downloaded from: <https://github.com/aws/aws-sdk-android/blob/master/LICENSE.APACHE.txt>. The source code for this software is available from <https://github.com/aws/aws-sdk-android>.
- Nv-websocket-client which is licensed under the Apache License, Version number 2.0. The license can be downloaded from: <http://www.apache.org/licenses/LICENSE-2.0.html>. The source code for this software is available from <https://github.com/TakahikoKawasaki/nv-websocket-client>.
- bumptech.glide which is licensed under the Apache License, Version number 2.0. The license can be downloaded from: <http://www.apache.org/licenses/LICENSE-2.0.html>. The source code for this software is available from <https://github.com/bumptech/glide>.
- Jakewharton:butterknife which is licensed under the Apache License, Version number 2.0. The license can be downloaded from: <http://www.apache.org/licenses/LICENSE-2.0.html>. The source code for this software is available from <https://github.com/JakeWharton/butterknife>.
- Caverock:androidsvg which is licensed under the Apache License, Version number 2.0. The license can be downloaded from: <http://www.apache.org/licenses/LICENSE-2.0.html>. The source code for this software is available from <https://mvnrepository.com/artifact/com.caverock/androidsvg/1.2.1>.

- Glassfish:javafx.annotation which is dual licensed under the CDDL, Version 1.0, and the GNU General Public License, Version 2, June 1991, with the Classpath Exception. The licenses can be downloaded from: <https://javaee.github.io/glassfish/LICENSE>. The source code for this software is available from <https://javaee.github.io/glassfish>.
- CalligraphyXamarin which is licensed under the Apache License, Version number 2.0. The license can be downloaded from: <http://www.apache.org/licenses/LICENSE-2.0.html>. The source code for this software is available from <https://github.com/mikescandy/Calligraphy-xamarin>.
- Newtonsoft JSON.NET which is licensed under the MIT License. The license can be downloaded from: <https://github.com/JamesNK/Newtonsoft.Json>. The source code for this software is available from <https://github.com/JamesNK/Newtonsoft.Json>.
- MaterialChips which is licensed under the Apache License, Version number 2.0. The license can be downloaded from: <http://www.apache.org/licenses/LICENSE-2.0.html>. The source code for this software is available from <https://github.com/DoodleScheduling/android-material-chips>.
- Android Open Source Project (“AOSP”), which is licensed under the Apache License, Version number 2.0. The license can be downloaded from: <http://www.apache.org/licenses/LICENSE-2.0.html>. AOSP also contains the Linux kernel which is licensed under GNU General Public License, Version 2, June 1991 (“GPL”). The license can be downloaded from: <http://www.gnu.org/licenses/gpl-2.0.html> Copyright © 1989, 1991 Free Software Foundation. For up to three years from PBI’s distribution of this product, you may obtain a complete machine-readable copy of the source code for the Linux kernel under the terms of the GPL, without charge except for the cost of the media, shipping, and handling, upon written request to PBI. Such requests should be sent by e-mail to iptl@pb.com.
- This product contains Paho.mqtt.java, which is licensed under the Eclipse Public License - v 2.0 and the Eclipse Distribution License - v 1.0. The licenses can be downloaded from <https://www.eclipse.org/legal/epl-2.0/> and <https://www.eclipse.org/org/documents/edl-v10.php>, respectively. The modified source code can be downloaded from: <https://github.com/PitneyBowes>.



3001 Summer Street
Stamford, Connecticut 06926
www.pitneybowes.com

PB Form SV63245-ie Rev.A
© Pitney Bowes Limited, 2023
We have made every reasonable effort to assure the accuracy and usefulness of this guide, however we cannot assume responsibility for errors or omissions or liability for the misuse or misapplication of our products.