

COMCOLOR GL PARTS MANUAL

Version 1.0

July 2022

Copyright: 2021 RISO KAGAKU CORPORATION

All Rights Reserved. This Parts Manual was prepared and written for the exclusive use of RISO International Group Certified Dealers. Reproduction and/or transmittal of this material in any form or by any means, including photocopying or recording of the information is strictly prohibited without the consent of RISO KAGAKU CORPORATION.

Fig1. External Paper Feed Tray (1)

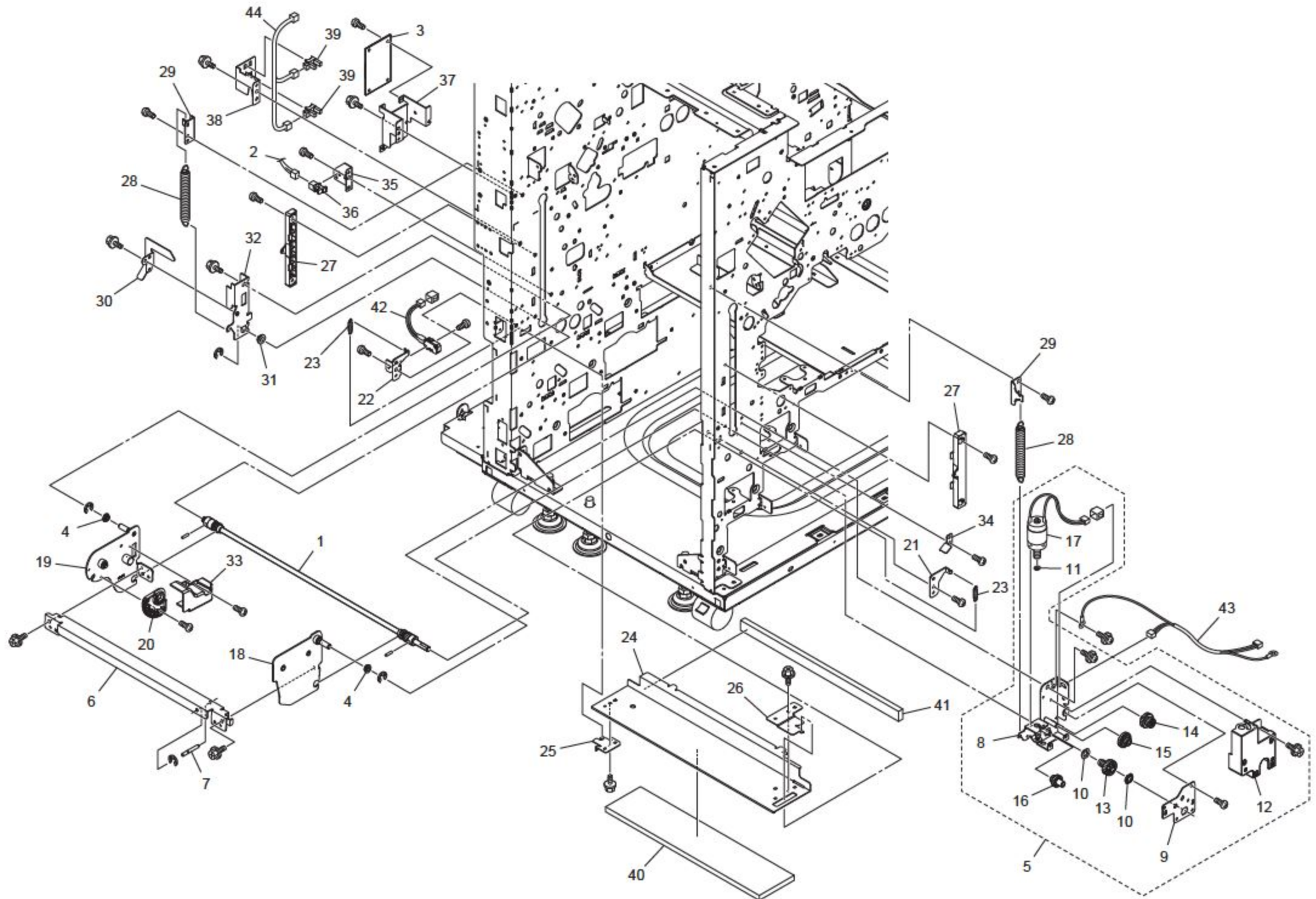


Fig.1 External Paper Feed Tray (1)

No.	Part No.	Description	Q'ty	Remark
1	050-75112-000	ELEVATOR SHAFT_ASSY	1	
2	060-53052-205	WIRE HARNESS; PF-RELAY	1	
3	060-50039-003	HNS RLY PCB	1	
4	600-50057-006	BEARING;2F-FLAW678AZZ1/1K	2	
5	023-75078-107	ELEVATOR MOTOR ASS'Y	1	
6	050-85115-008	STAY_EXIT	1	
7	050-85205-007	SHAFT_GD	1	
8	023-12234-508	MOTOR CHASSIS; ELEVATOR MOTOR	1	
9	023-12223-000	GEAR COVER; ELEVATOR MOTOR	1	
10	023-12244-104	ELEVATOR MOTOR COLLAR	2	
11	030-19205-001	SUPPORT; CLAMP WORM	1	
12	023-12247-103	COVER; ELEVATOR MOTOR	1	
13	612-10009-107	GEAR; M1X24	1	
14	612-80013-004	GEAR; M0.8X29+M1X14	1	
15	612-80012-008	GEAR; M0.8X30+M0.8X14	1	
16	612-80011-001	GEAR; M0.8X23+M0.8X14	1	
17	050-75152-002	445 CCW MOTOR ASSY	1	
18	050-84189-008	FRAME_FT_F_AS_2	1	
19	050-79727-000	FRAME_FEED_TRY_R_AS	1	
20	050-79736-009	GEAR_FEEDTRY	1	
21	023-12251-003	BRACKET F; SPRING; LOWER SAFETY SW	1	
22	050-79733-000	SP_BASE_R	1	
23	050-79737-005	SPRING_L_SNR	2	
24	060-12101-005	LOWER_FRAME	1	
25	060-12102-001	LOWER LIMIT FRAME; R	1	
26	023-12206-008	SUPPORT; LOWER LIMIT FRAME; P.-F.	1	
27	023-12201-200	ELEVATOR RACK; P.-F.	2	
28	060-12120-000	SPRING; ELEVATOR	2	
29	023-12203-009	BRACKET; ELEVATOR SPRING; P.-F.	2	

No.	Part No.	Description	Q'ty	Remark
30	024-12214-008	FFC GUIDE	1	
31	651-00018-009	METALF8X13/12X5;16X2	1	
32	061-12021-009	SPRING HOOK; R	1	
33	050-79735-100	COVER_FFC_G	1	
34	061-12072-002	STOPPER; ELEVATOR SHAFT	1	
35	023-12233-102	BRACKET; LOWER LIMIT SENSOR	1	
36	444-30008-100	SENSOR; LG-248NL1	1	
37	060-12100-009	BRACKET; JUNCTION PCB	1	
38	061-12023-001	BRACKET; P VOLUME DET SENSOR	1	
39	444-40000-000	SENSOR ; LG283L1-RS	2	
40	061-12049-000	SOUND ABSORBING SHEET; L-FRAME L	1	
41	061-12050-009	SOUND ABSORBING SHEET; L-FRAME U	1	
42	060-53066-109	WIRE;PF TRAY LIMIT SW	1	
43	050-79797-008	OR2ELV_CBL	1	
44	061-53053-004	WIRE HARNESS; P VOL DET SENSOR	1	

Fig2. External Paper Feed Tray (2)

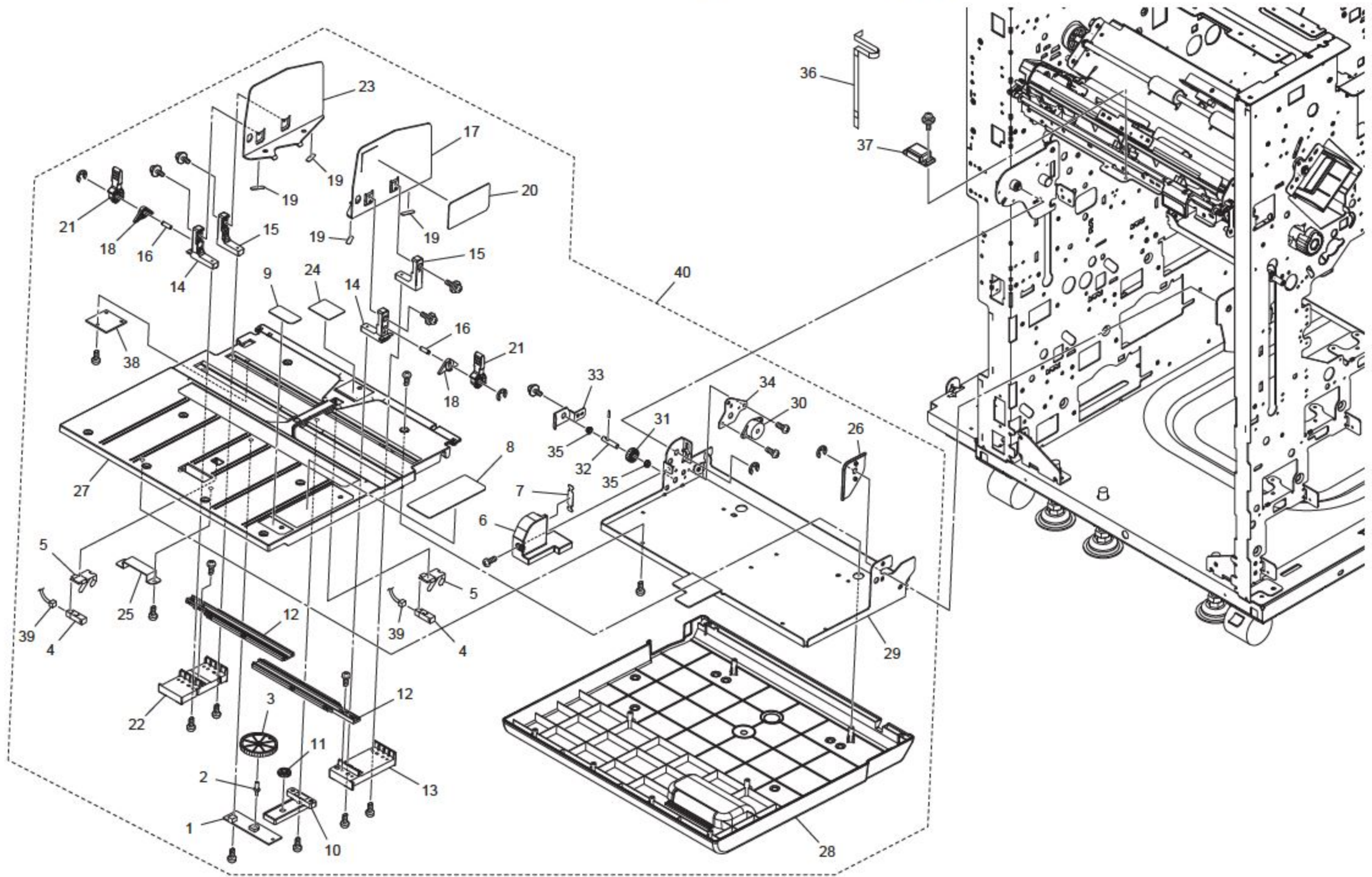


Fig.2 External Paper Feed Tray (2)

No.	Part No.	Description	Q'ty	Remark
1	023-12605-603	POTENTIOMETER; P.-F.-T	1	
2	023-12241-105	SHAFT; POTENTIOMETER GEAR	1	
3	612-10023-002	GEAR;M1X50X6	1	
4	444-33013-007	SENSOR ; PS124TD1	2	
5	060-12118-005	GROUND PLATE; P.-F.-T	2	
6	050-79734-103	COVER_FFC	1	
7	024-12125-005	FFC HOLDER	1	
8	050-12078-007	SEAL ; PFT CLOSE	1	
9	050-12079-003	SEAL ; PFT SET	1	
10	060-12103-008	BRACKET; CENTER GEAR	1	
11	651-00255-000	GEAR; M1X16	1	
12	060-12104-004	FENCE RACK; PFT	2	
13	060-12105-000	SLIDER F; PAPER GUIDE	1	
14	060-12106-007	SLIDER ARM A; PAPER GUIDE	2	
15	060-12107-003	SLIDER ARM B; PAPER GUIDE	2	
16	060-12108-000	SHAFT; RENGE LOCK	2	
17	024-12106-108	FENCE; TRAY F	1	
18	060-12109-006	FENCE LOCK; PFT	2	
19	024-12123-002	FENCE SHEET	4	
20	024-12121-000	SEAL; FENCE SET	1	
21	060-12126-008	LEVER B; FENCE LOCK	2	
22	060-12110-004	SLIDER R; PAPER GUIDE	1	
23	024-12107-104	FENCE; TRAY R	1	
24	020-11520-106	L.O. SHEET	1	
25	023-12126-004	BRACKET; CATCH	1	
26	060-12111-000	FRAME COVER	1	
27	060-12112-104	PFT TABLE	1	
28	060-12113-100	FEED TRAY COVER	1	
29	060-12114-000	PFT LOWER FRAME	1	
30	610-10011-000	ONE WAY HINGE	1	

No.	Part No.	Description	Q'ty	Remark
31	651-00256-007	GEAR; M1X20	1	
32	060-12115-006	SHAFT; HINGE	1	
33	060-12116-002	COVER; HINGE	1	
34	060-12117-009	BRACKET; DAMPER	1	
35	607-10006-000	METAL;F6X8X4;10X1	2	
36	060-53067-008	WIRE HARNESS; PF TRAY EXTERNAL	1	
37	660-00002-004	MAGNET CATCH ; SM50-P	1	
38	060-50037-000	PF-TRAY-PCB	1	
39	060-53055-000	WIRE HARNESS; PF TRAY INNER	1	
40	060-75402-005	PAPER FEED TABLE UNIT	1	

Fig3. 1st Paper Feed (1)

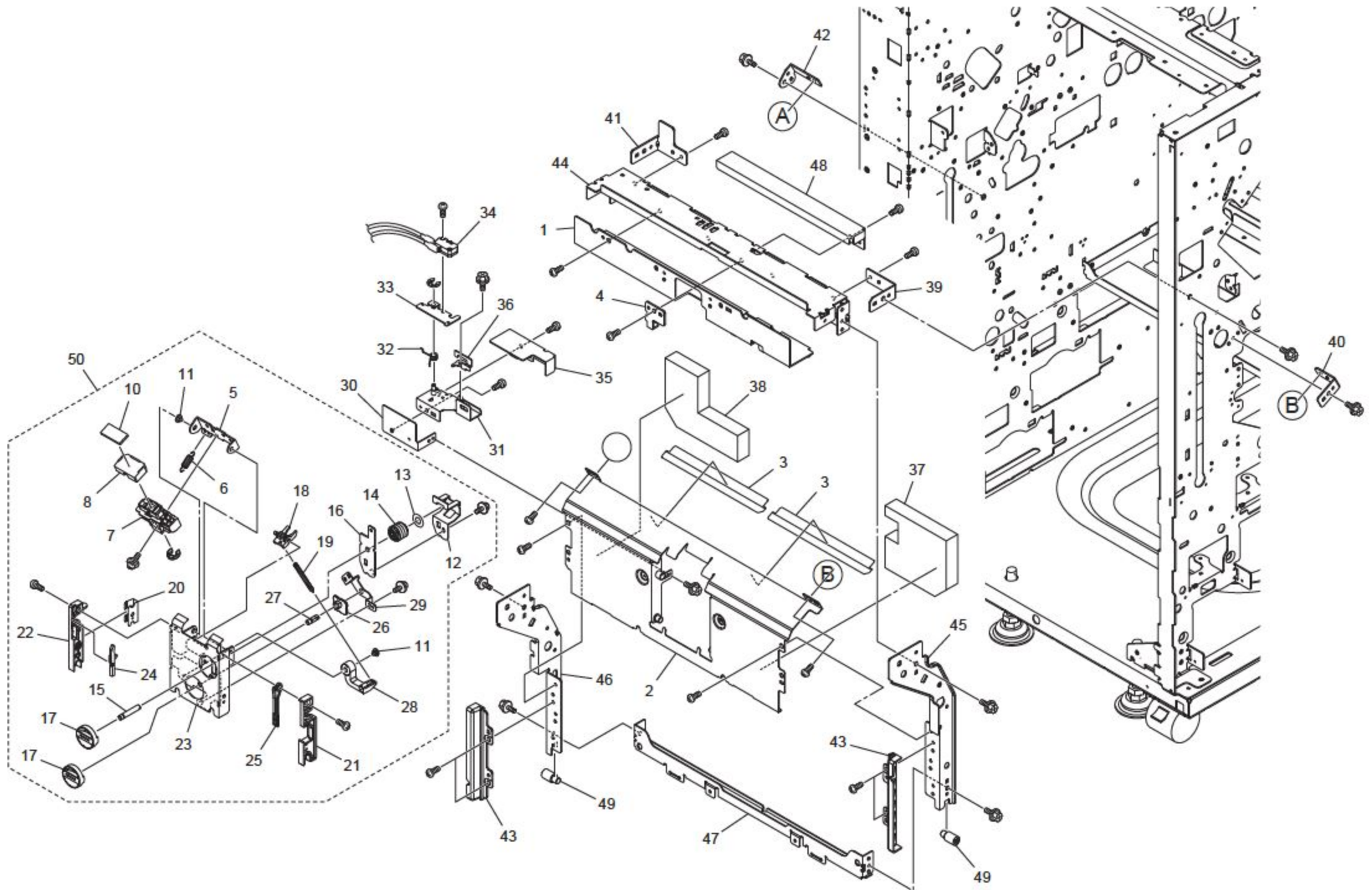


Fig.3 1st Paper Feed (1)

No.	Part No.	Description	Q'ty	Remark
1	061-12031-101	STAY; 1ST PAPER FEED	1	
2	050-12009-404	GUIDE PLATE LOWER	1	
3	050-12074-109	EXTENSION SHEET ; GUIDE PLATE LOWER	2	
4	052-12009-107	SUPPORT; PICK-UP ROLLER SHAFT	1	
5	023-12402-109	BRACKET; STRIPPER BASE	1	
6	023-12429-201	SPRING; ANGLE ADJ.; STRIPPER	1	
7	023-12434-000	STRIPPER ASS'Y RZ	1	
8	060-75569-007	STRIPPER PAD BASE; NON-COVER	1	
10	019-11834-100	STRIPPER PAD;U	1	
11	635-00002-001	STEPPED SCREW:6X2.2;M4X2.5	2	
13	638-90002-104	WASHER; 6.5X15X0.2	1	
17	060-12124-005	ADJ DIAL; STRIPPER	2	
18	023-12412-007	ARM; STRIPPER PRESSURE	1	
19	023-12403-008	SPRING TENSION; STRIPPER	1	
20	018-31614-001	Guide Spring ; Roller System	1	
21	023-12431-001	GUIDE BLOCK FRONT; STRIPPER UNIT	1	
22	052-12010-202	FIXED BLOCK	1	
23	052-12011-004	BASE; STRIPPER UNIT	1	
24	060-12122-002	LOCK LEVER; STRIPPER UNIT	1	
25	060-12123-009	UNFIX LEVER; STRIPPER UNIT	1	
26	024-12403-005	STRIPPER CAM	1	
27	024-12404-303	SHAFT; STRIPPER CAM	1	
28	024-12405-202	STRIPPER ADJ ARM	1	
29	024-12406-004	PLATE;STRIPPER SHAFT CATCH	1	
30	052-12013-007	BRACKET; STRIPPER SAFE SW	1	
31	052-12016-006	SW BASE PLATE ; STRIPPER SAFE SW	1	
32	023-28403-105	SPRING; SAFETY SW/DRUM & MM	1	

No.	Part No.	Description	Q'ty	Remark
33	024-28059-100	BRACKET ; SAFETY SW	1	
34	058-53011-101	WIRE;MACHINE SET SW	1	
35	052-12019-005	SW COVER PLATE ; STRIPPER SAFE SW	1	
36	052-12015-000	LEVER ; SW	1	
37	061-12055-000	SOUND ABSORBING SHEET; 1ST PF F	1	
38	061-12056-007	SOUND ABSORBING SHEET; 1ST PF R	1	
39	050-79738-001	BRACKET_EXFEED	1	
40	050-79739-008	BRACKET_L_G_F	1	
41	061-12024-008	BRACKET_L_G_R	1	
42	061-12058-000	BRACKET; EXFEED	1	
43	050-12046-105	GUIDE BLOCK ; ELEVATOR	2	
44	050-12015-005	STAY ; PFT	1	
45	050-12016-001	SIDE FRAME ; PFT F	1	
46	050-12017-105	SIDE FRAME ; PFT R	1	
47	050-12018-004	STAY ; GUIDE PLATE	1	
48	050-12054-000	COVER ; WIRE HARNESS PFT	1	
49	050-79740-006	STUD_EXFEED	2	
50	068-75010-008	STRIPPER II ASSY	1	

Fig4. 1st Paper Feed (2)

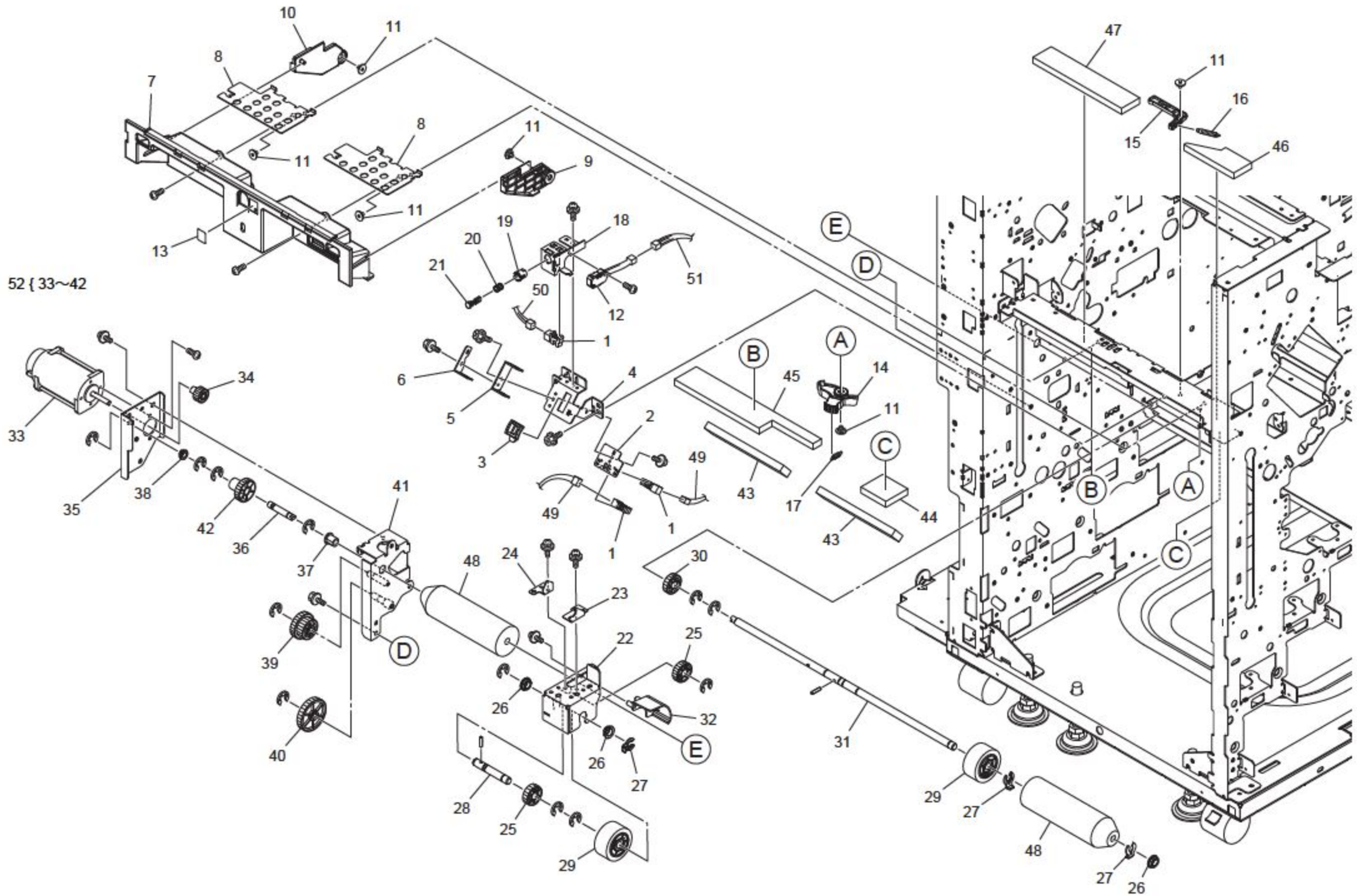


Fig.4 1st Paper Feed (2)

No.	Part No.	Description	Q'ty	Remark
1	444-30008-100	SENSOR; LG-248NL1	3	
2	023-12325-007	BRACKET;UPPER LIMIT SENSOR	1	
3	030-14347-002	BASE; UPPER LIMIT ADJ. SCREW	1	
4	050-12005-000	BRACKET A; UPPER LIMIT SENSOR	1	
5	046-12301-005	BRACKET B; UPPER LIMIT SENSOR	1	
6	046-12302-001	SUPPORT PLATE; UPPER LIMIT ADJUST	1	
7	061-12033-104	COVER; P.-FEED	1	
8	050-12014-009	UPPER GUARD	2	
9	050-12058-006	LEVER ; PFT COVER F	1	
10	050-12057-107	LEVER ; PFT COVER R	1	
11	635-00004-004	STEPPED SCREW ;F8X2.3 ; M4X4.4	6	
12	060-53066-109	WIRE;PF TRAY LIMIT SW	1	
13	030-04034-103	SEAL; P.-F.-T. DOWN	1	
14	060-12083-104	P.-F. PRESSURE ADJ. LEVER	1	
15	061-12030-008	ARM; P.-F. PRESSURE ADJ	1	
16	061-12029-000	SPRING; P.-F. PRESS ADJ	1	
17	047-63047-003	SPRING; ENTRY REMOVAL	1	
18	061-12062-007	E SW PLATE 2	1	
19	046-12304-101	CASE ; SW	1	
20	046-12305-000	SPRING ; SW	1	
21	060-12133-004	PUSH BUTTON SW	1	
22	050-12003-104	FRAME BRACKET; PICK-UP	1	
23	023-12308-005	ACTUATOR; UPPER LIMIT; CARD; P.-F.-	1	
24	023-12334-006	ACTUATOR; UPPER LIMIT; STD; P.-F.-T	1	
25	612-11300-107	GEAR;M0.8X34X8.5	2	
26	607-16001-000	METAL;F10X15/14X6;18X2	3	
27	019-11812-106	LOCK RING	3	
28	023-12330-205	SCRAPER SHAFT; PICKUP	1	
29	021-14301-208	PICK-UP ROLLER	2	
30	612-10021-107	GEAR;M0.8X33X7.4	1	

No.	Part No.	Description	Q'ty	Remark
31	052-75201-008	SHAFT ; PICK-UP ROLLER SU	1	
32	052-12003-109	PICK-UP COVER 2	1	
33	490-20007-205	MOTOR/TD3357-240	1	
34	651-00278-000	GEAR; M1X18	1	
35	060-12088-009	BRACKET; EXTERNAL P.-FEED MOTOR	1	
36	060-12089-102	LINK SHAFT; PU	1	
37	651-00020-003	FBx12/10.8x14;16x2	1	
38	607-15016-004	METAL; F8X11/10X5.5	1	
39	651-00283-004	GEAR ASSY; M1X28+M1X36	1	
40	651-00281-001	GEAR ASSY; M1X46	1	
41	060-12094-009	BRACKET; EXTERNAL P.-FEED DRIVE	1	
42	651-00279-007	GEAR ASSY; M1X35	1	
43	061-12047-008	SOUND ABSORBING SHEET; R-FEED	2	
44	061-12051-005	SOUND ABSORBING SHEET; 1ST LF	1	
45	061-12052-001	SOUND ABSORBING SHEET; 1ST LR	1	
46	061-12053-008	SOUND ABSORBING SHEET; 1ST UF	1	
47	061-12054-004	SOUND ABSORBING SHEET; 1ST UR	1	
48	061-12064-000	SOUND ABSORBING; PU SHAFT	2	
49	050-12906-104	Junction Harness ; Upper Limit Sens	1	
50	061-53066-009	WIRE HARNESS; PFT U-LIMIT SNR S	1	
51	061-53048-000	WIRE HARNESS; PFT U-LIMIT SENSOR	1	
52	060-75391-003	EXTERNAL P.-FEED MOTOR ASSY	1	

Fig5. Internal Paper Feed Tray

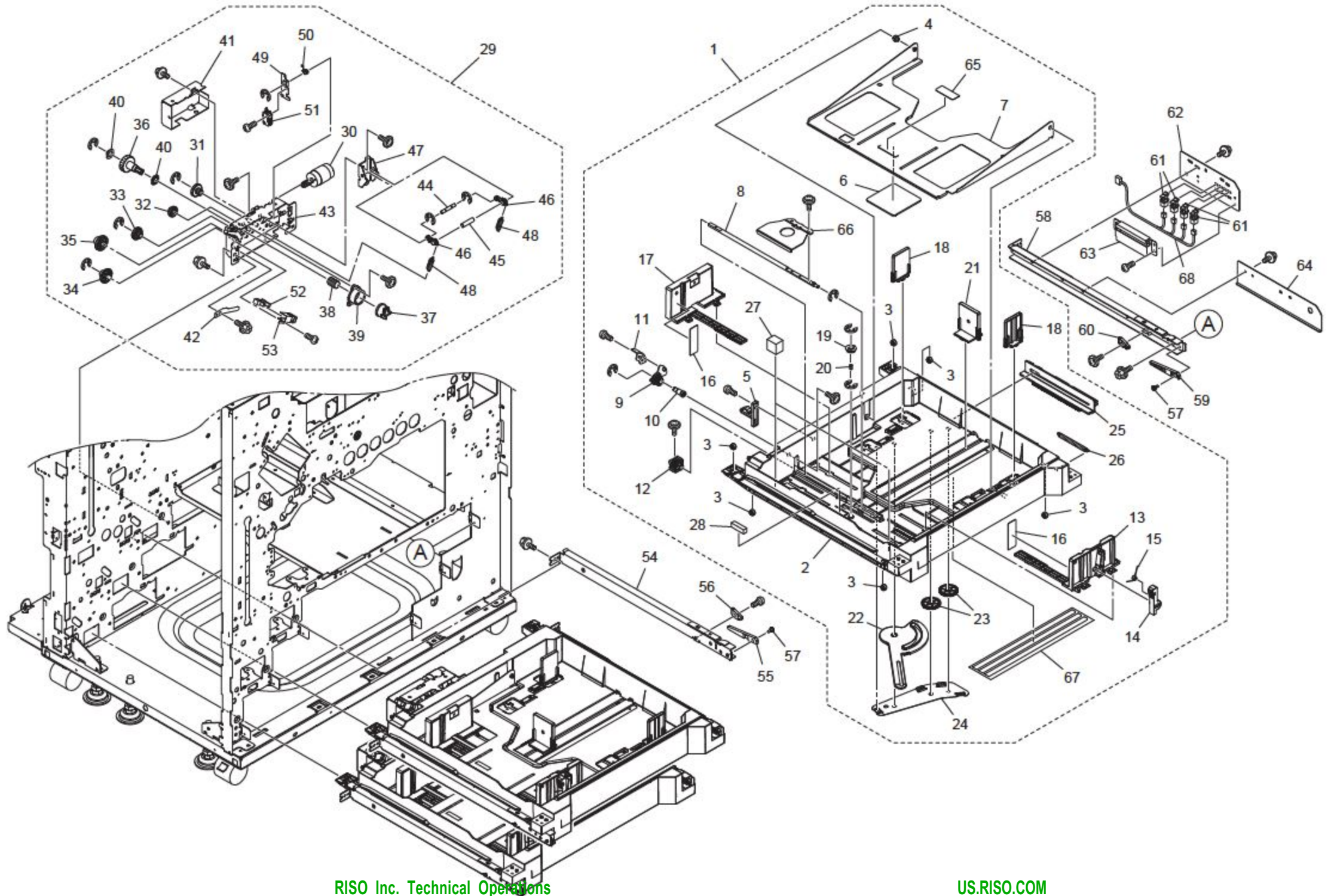


Fig.5 Internal Paper Feed Tray

No.	Part No.	Description	Q'ty	Remark
1	067-75318-005	PAPER FEED TRAY; SU	1	
2	067-65010-002	PLASTIC;MAIN UNIT;TRAY	1	
3	052-65013-009	ROLLER ; TRAY RAIL	6	
4	050-65533-105	SUPPORT SHAFT ; BOTTOM PLATE	1	
5	052-65014-005	TRAY CATCH	1	
6	050-65591-008	MILLAR SHEET+TRY LIFT	1	
7	060-65129-009	BOTTOM PLATE; TRAY	1	
8	060-65133-006	SHAFT; BOTTOM PLATE; TRAY	1	
9	052-65006-002	MID GEAR ; BOTTOM PLATE	1	
10	052-65007-009	MID SHAFT ; BOTTOM PLATE	1	
11	060-65130-007	SHIELD PLATE; PAPER VOLUME	1	
12	060-65131-003	DRIVE GEAR; BOTTOM PLATE	1	
13	067-65009-004	PLASTIC;FRONT FENCE;TRAY	1	
14	060-65159-005	LEVER; GUIDE FENCE	1	
15	050-65511-004	SPRING ; GUIDE FENCE F	1	
16	060-65125-003	PROTECTION SHEET; GUIDE FENCE	2	
17	067-65011-009	PLASTIC;REAR FENCE;TRAY	1	
18	060-65158-106	PAPER GUIDE	2	
19	060-65127-006	CENTER GEAR; TRAY FENCE	1	
20	060-65128-002	SHAFT; CENTER GEAR	1	
21	060-65120-109	TRAY END FENCE	1	
22	050-65516-103	SECTOR GEAR ; SIZE DET.	1	
23	612-10060-005	GEAR ; M1X36X4	2	
24	060-65119-003	GEAR COVER; TRAY	1	
25	060-65121-008	SLIDER; PAPER SIZE DET	1	
26	060-65122-004	SPRING; PAPER SIZE DET	1	
27	052-65073-001	CUSHION ; BOTTOM PLATE	2	
28	052-65074-008	CUSHION ; BOTTOM PLATE BRACKET	1	
29	060-75374-206	TRAY ELEVATOR MOTOR ASSY	1	
30	050-75152-002	445 CCW MOTOR ASSY	1	
31	612-80052-000	GEAR ; M0.8X31+M0.8X14	1	
32	612-80006-008	GEAR;M0.8X25+M0.8X14	1	
33	612-80012-008	GEAR; M0.8X30+M0.8X14	1	
34	651-00257-003	GEAR;m0.8X36+m0.8X14G	1	
35	651-00082-009	GEAR ; M0.8X37+M1X15G	1	

No.	Part No.	Description	Q'ty	Remark
36	052-65021-001	JOINT GEAR ; DRIVE	1	
37	052-65023-004	COUPLING 2 ; ELEVATOR MOTOR	1	
38	050-65563-101	JOINT SPRING	1	
39	052-65022-008	CASE 2 ; COUPLING	1	
40	050-65558-000	COLOR ; E MOTOR	2	
41	050-65562-202	COVER ; E MOTOR	1	
42	050-65537-003	ARTH PLATE ; TRYA	1	
43	060-65142-102	BRACKET; TRAY ELEVATOR MOTOR	1	
44	052-65016-008	PIVOT ; TRAY CATCH	1	
45	052-65018-000	SHAFT ; TRAY CATCH	1	
46	052-65017-004	ARM ; TRAY CATCH	2	
47	060-65144-008	BRACKET; TRAY CATCH	1	
48	060-65145-004	SPRING; TRAY CATCH	2	
49	024-28059-100	BRACKET ; SAFETY SW	1	
50	023-28403-105	SPRING; SAFETY SW/DRUM & MM	1	
51	058-53011-101	WIRE;MACHINE SET SW	1	
52	444-30010-007	SENSOR; LG285D1	1	
53	052-65024-000	COVER PLATE ; P-VOLUME DET SENSOR	1	
54	052-65034-103	TRAY RAIL L	1	
55	052-65037-005	GUIDE L ; TRAY RAIL	1	
56	052-65033-000	STOPPER L ; TRAY RAIL	1	
57	651-00310-001	STEPPED SCREW; 6X4;M4X8.5	2	
58	060-65146-000	TRAY RAIL R	1	
59	052-65027-000	GUIDE R ; TRAY RAIL	1	
60	052-65026-003	STOPPER R ; TRAY RAIL	1	
61	444-30008-100	SENSOR; LG-248NL1	4	
62	060-65149-000	BRACKET; TRAY P.-SIZE SNR	1	
63	060-65150-008	COVER; PAPER SIZE DET SENSOR	1	
64	061-65050-000	COVER; MAINTENANCE ARM	1	
65	052-65100-009	L.O.SHEET	1	
66	052-65004-107	BRACKET ; BOTTOM PLATE TRAY	1	
67	060-34119-200	SEAL; PAPER LENGTH	1	
68	060-53018-007	WIRE HARNESS; TRAY SIZE SNR RLY	1	

Fig6. Internal Paper Feed Unit

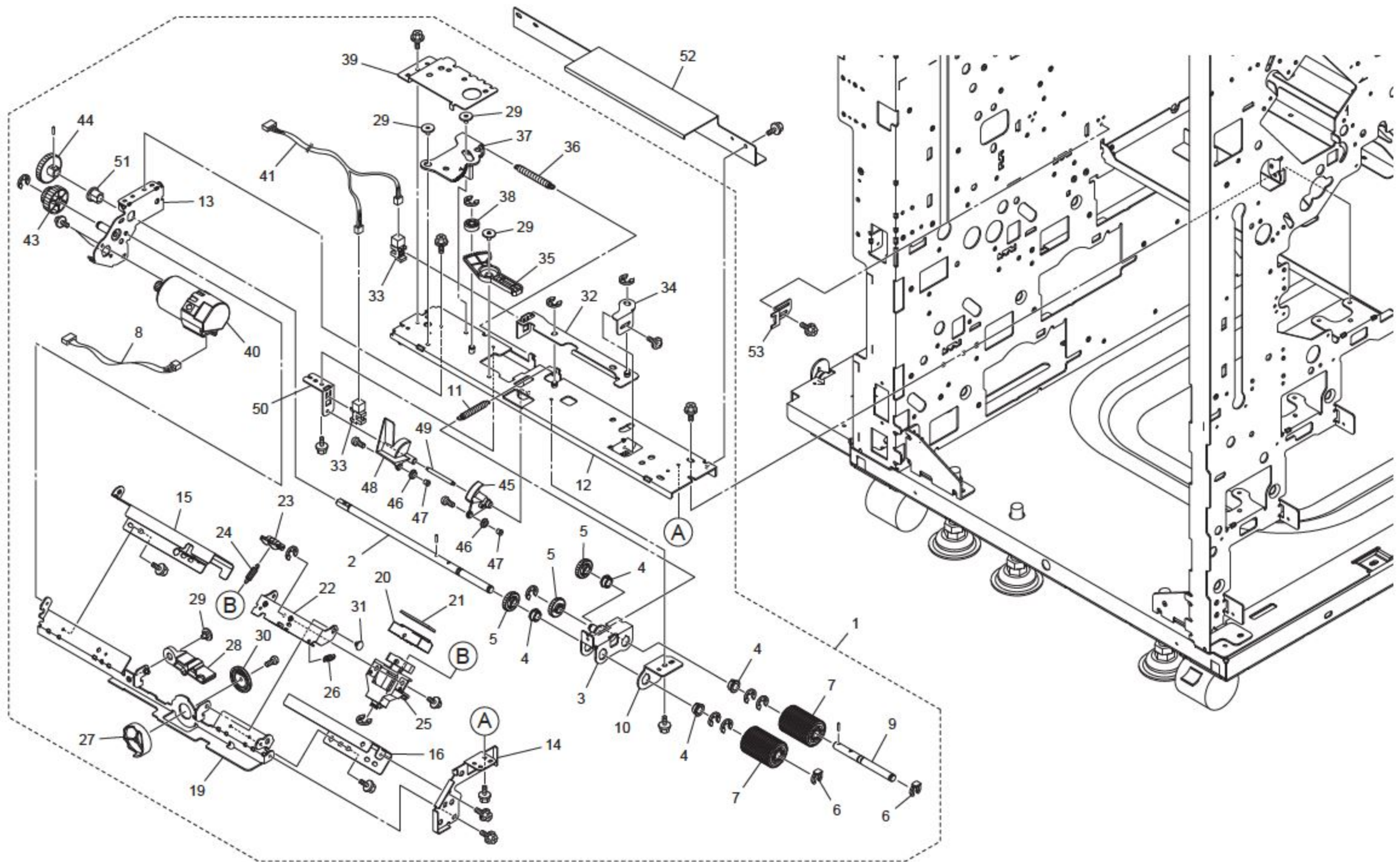


Fig.6 Internal Paper Feed Unit

No.	Part No.	Description	Q'ty	Remark
1	060-75405-209	INTERNAL PAPER FEED UNIT	3	
2	060-65092-105	SHAFT; PICK-UP	1	
3	050-65431-205	PU ARM ASSY ; INTERNAL	1	
4	607-60002-006	METAL; 8	4	
5	612-00008-102	GEAR ; M1X20X8	3	
6	030-21203-105	LOCK RING;ROLLER	2	
7	050-65358-001	ROLLER PICKUP	2	
8	067-53030-008	WIRE;INNER PU MOTOR RELAY 2	1	
9	060-65093-101	SHAFT; PICK-UP ROLLER	1	
10	050-65340-102	BRACKET ; PAPER FEED ; INTERNAL	1	
11	050-65416-001	SPRING ; SCRAPER PRESSURE	1	
12	060-65094-000	STAY; INTERNAL PAPER FEED	1	
13	060-65096-003	SUB FRAME R; INTERNAL PAPER FEED	1	
14	060-65099-002	SUB FRAME F; INTERNAL PAPER FEED	1	
15	060-65100-000	GUIDE STAY R; INTERNAL P.-FEED	1	
16	060-65103-000	GUIDE STAY F; INTERNAL P.-FEED	1	
19	060-65104-006	FIXED BRACKET; STRIPPER	1	
20	050-65348-103	HOLDER ; STRIPPER	1	
21	050-65407-100	STRIPPER PAD	1	
22	050-65350-000	SUPPORT PLATE ; STRIPPER BASE	1	
23	050-65406-006	LEVER ; STRIPPER PRESSURE	1	
24	050-65410-003	SPRING STRIPPER	1	
25	050-65426-104	STRIPPER ASSY ; INTERNAL	1	
26	050-65411-000	SPRING ; STRIPPER ANGLE ADJ.	1	
27	050-65409-005	CAM ; STRIPPER ANGLE ADJ.	1	
28	060-65106-009	LEVER; STRIPPER PRESS RELEASE	1	
29	635-00004-004	STEPPED SCREW ;F8X2.3 ; M4X4.4	4	
30	050-65421-005	DIAL ; STRIPPER ANGLE ADJ.	1	

No.	Part No.	Description	Q'ty	Remark
31	635-00002-001	STEPPED SCREW:6X2.2;M4X2.5	1	
32	060-65107-005	LEVER; UPPER LIMIT ADJ	1	
33	444-30008-100	SENSOR; LG-248NL1	2	
34	060-65109-008	SCALE PLATE; UPPER LIMIT ADJ	1	
35	060-65110-006	PLATE; SCRAPER RELEASE	1	
36	060-65111-002	SPRING; SCREPER RELEASE	1	
37	060-65112-009	PLATE; SCRAPER RELEASE	1	
38	011-11514-000	GEAR;SLIDE RACK;P.-F.-T.	1	
39	060-65113-005	GEAR COVER; SCRAPER RELEASE	1	
40	060-75414-003	MOTOR ASSY; 555	1	
41	060-53021-105	WIRE HARNESS; INTERNAL PF SENSOR	1	
43	651-00252-001	GEAR; M0.8X40+M1X22	1	
44	612-12315-000	GEAR; M1X31X6	1	
45	060-65115-008	ACTUATOR; UPPER LIMIT	1	
46	050-65417-008	COLLAR ; 10X5.1X3	2	
47	050-65435-200	SHAFT ; ACTUATOR	2	
48	060-65116-004	ACTUATOR; PAPER DETECTION	1	
49	050-65412-006	SHAFT ; UPPER LIMIT	1	
50	060-65117-000	BRACKET; PAPER DETECTION SENSOR	1	
51	607-15013-005	METAL; F8 X 12/10 X 12; 12 X 2	1	
52	061-65054-006	COVER PLATE; INTERNAL P FEED	1	
53	060-65019-009	CONNECTOR COVER; V TRANSFER	1	

Fig7. Vertical Transfer Unit A

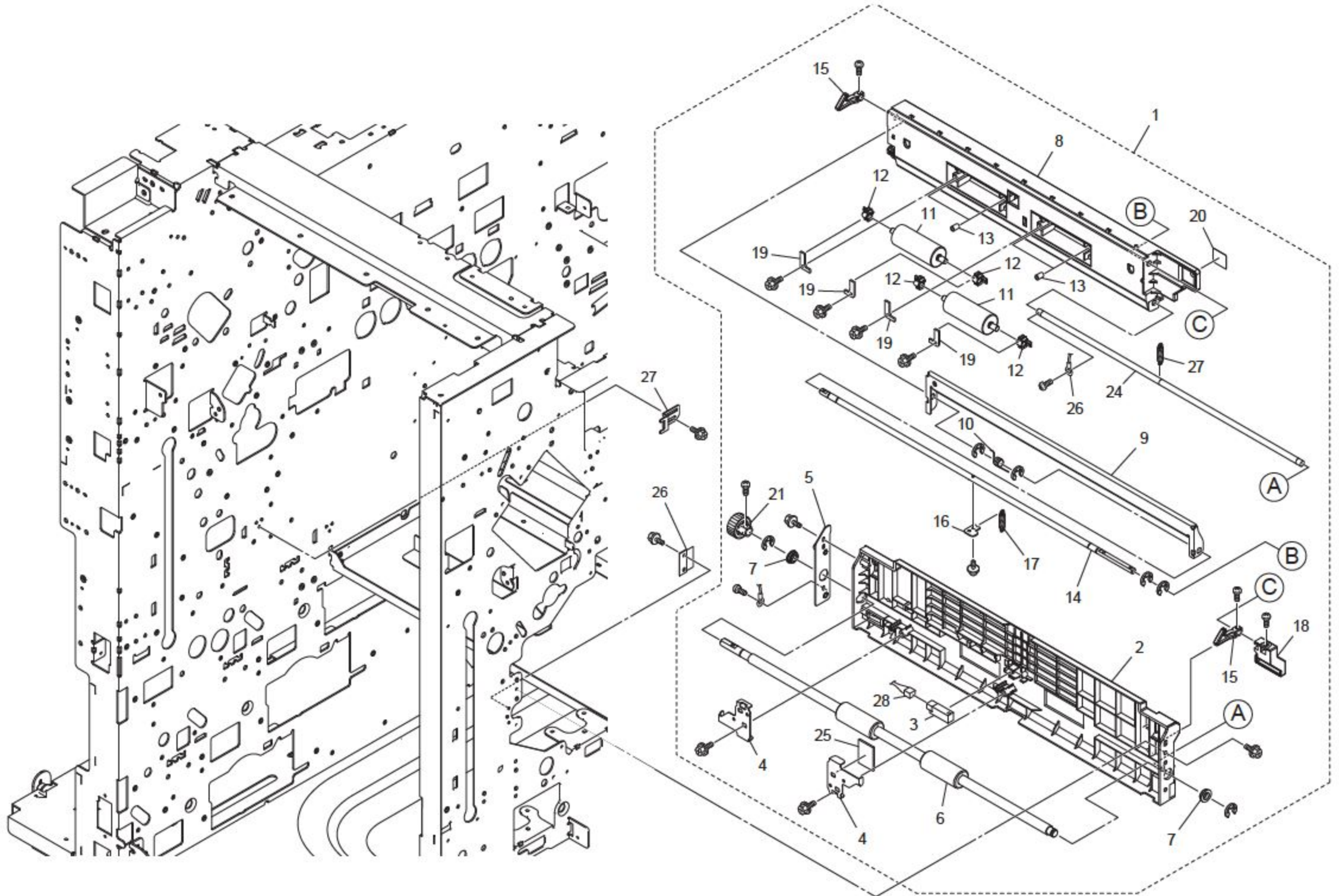
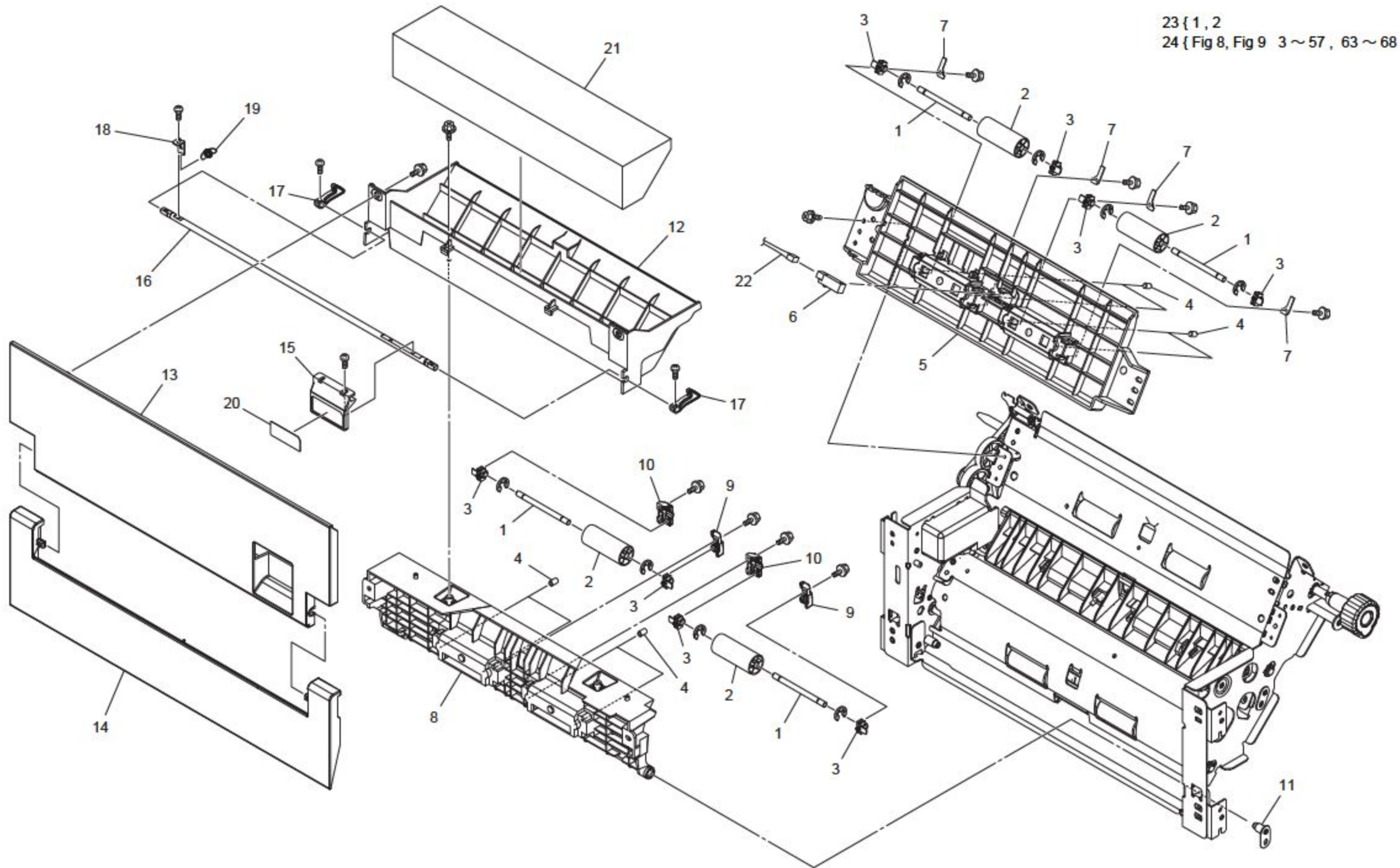


Fig.7 Vertical Transfer Unit A

No.	Part No.	Description	Q'ty	Remark
1	061-75145-107	VERTICAL TRANSFER UNIT	1	
2	060-65001-100	VERTICAL TRASFER GUIDE; DRIVE	1	
3	444-33013-007	SENSOR ; PS124TD1	1	
4	060-65002-106	SENSOR COVER; VERTICAL TRANSFER	2	
5	060-65012-004	DRIVEN ROLLER; L50	2	
7	600-50057-006	BEARING;2F-FLAW678AZZ1/1K	2	
8	060-65009-100	VERTICAL TRASFER GUIDE; DRIVEN L	1	
9	060-65010-001	VERTICAL TRASFER GUIDE; DRIVEN U	1	
10	060-65011-008	SPRING; GUIDE PLATE R	1	
11	050-55246-108	SHAFT ; DRIVEN ROLLER 2	2	
12	050-64328-206	SOCKET; DRIVEN ROLLER	4	
13	050-64307-101	SPRING ; TRANSFER SWITCHBACK	4	
15	060-65013-000	HOOK; JAM RELEASE	2	
16	060-65014-007	PLATE; SPRING	1	
17	060-65173-008	SPRING; VERTICAL TRANSFER	1	
18	060-65015-003	LEVER; JAM RELEASE	1	
19	050-64369-000	SOCKET STOPPER	4	
20	060-65017-103	SEAL; JAM RELEASE	1	
21	651-00199-003	GEAR; M1X22	1	
22	060-65018-002	DE-ELECTRICITY BRUSH; 28	1	
23	060-65019-009	CONNECTOR COVER; V TRANSFER	1	
25	061-65074-007	SLIP SHEET; VERTICAL TRANSFER	1	
26	488-90030-303	GROUND WIRE ; J3-55-R3	1	
27	060-65173-008	SPRING; VERTICAL TRANSFER	1	
28	060-53009-105	WIRE HARNESS; V-TRANS. SENSOR 1	1	

No.	Part No.	Description	Q'ty	Remark

Fig8. Vertical Transfer Unit B (1)



23 { 1, 2
24 { Fig 8, Fig 9 3 ~ 57, 63 ~ 68

Fig9. Vertical Transfer Unit B (2)

1 { Fig 8 , Fig 9 3 ~ 57 , 63 ~ 68
2 { 35 , 36

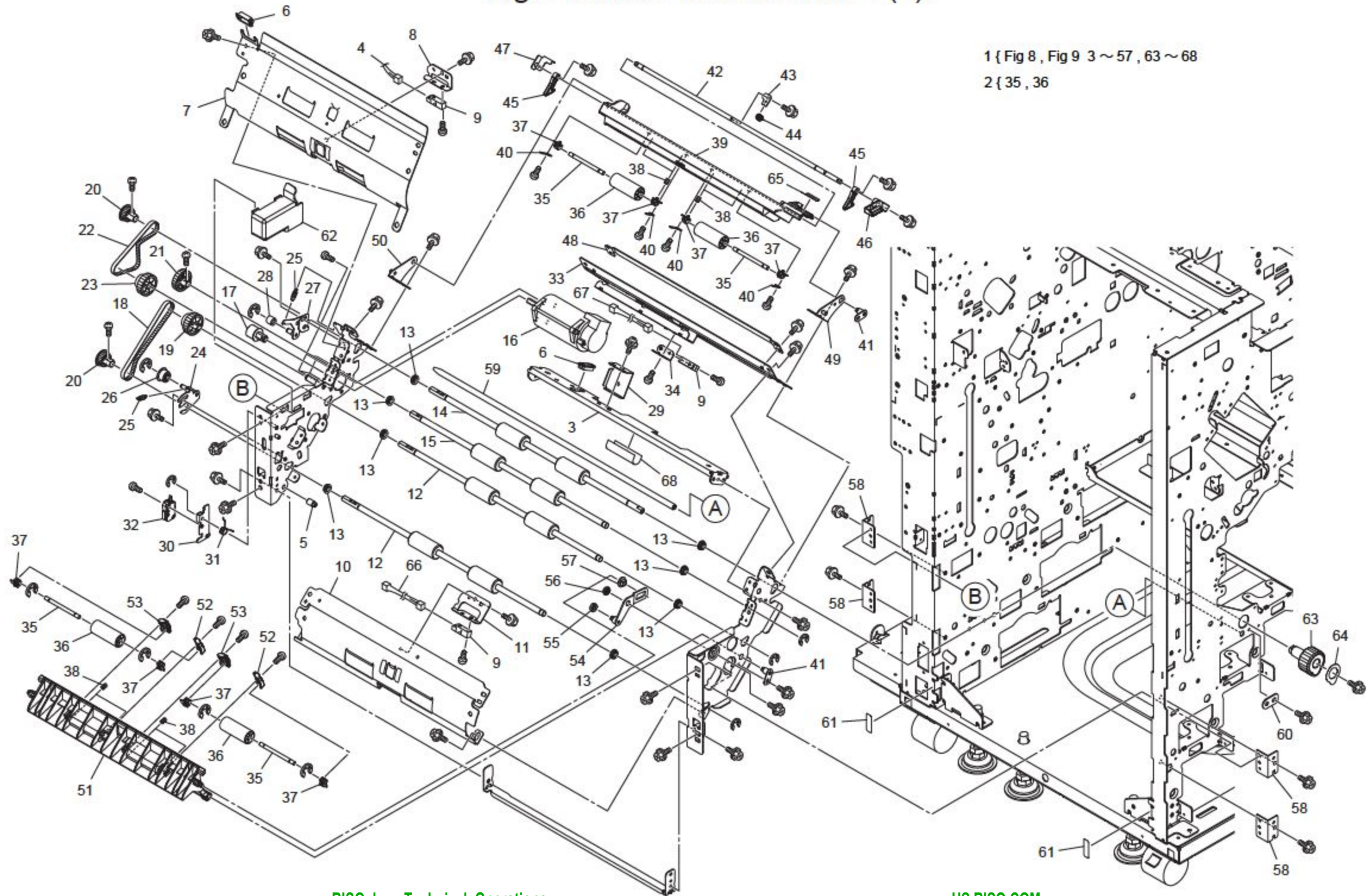


Fig.9 Vertival Transfer Unit B (2)

No.	Part No.	Description	Q'ty	Remark
1	068-75017-002	INTERNAL PAPER TRANSFER UNIT-GL;SU	1	
2	060-75442-007	DRIVEN ROLLER ASSY	4	
3	061-65006-001	STAY; U	1	
4	061-53035-006	WIRE HARNESS; INTER-PF SNR RLY	1	
5	060-65051-107	SHAFT; TRANSFER GUIDE R	1	
6	665-04068-200	EDGING SADDLE;TSB-1909L	2	
7	061-65007-008	TRAY TRANSFER U-GUIDE; DRIVE	1	
8	060-65061-005	SENSOR BRACKET; 90	1	
9	444-33013-007	SENSOR ; PS124TD1	3	
10	060-65054-009	TRAY TRANSFER L-GUIDE; DRIVE	1	
11	060-65057-008	SENSOR BRACKET; 60	1	
12	060-65062-001	FEED ROLLER; INTERNAL	2	
13	600-50057-006	BEARING;2F-FLAW678AZZ1/1K	8	
14	060-65064-004	ROLLER ; INTERNAL P-TRAN; DIAL	1	
15	061-65009-000	ROLLER ; INTERNAL P-TRAN; MERGE	1	
16	490-20007-205	MOTOR/TD3357-240	1	
17	611-90032-000	PULLEY ; S2M-28	1	
18	651-00219-004	BELT; 60-S2M-284	1	
19	651-00265-006	PULLEY B; 32S2M+M08X38	1	
20	651-00220-002	PULLEY; 32S2M	2	
21	651-00264-000	GEAR; M0.8X38	1	
22	651-00262-007	BELT; 60-S2M-248	1	
23	651-00263-003	PULLEY A; 32S2M+M08X38	1	
24	060-65066-007	TENSIONER; L	1	
25	024-15172-004	SPRING;ONE-WAY HOOK	2	
26	651-00274-005	IDLER PULLEY; 16	1	
27	061-65058-109	TENSIONER; U	1	
28	047-64675-008	TENSIONER ROLLER ; FOURTH TRANSFER	1	
29	060-65070-004	BRACKET; WIRE HARNESS	1	
30	024-28059-100	BRACKET ; SAFETY SW	1	
31	050-65210-004	SPRING ; SAFETY SW ; VERTICAL TRANS	1	
32	058-53011-101	WIRE;MACHINE SET SW	1	
33	061-65061-002	TRAY 1 GUIDE; DRIVE	1	
34	050-55214-001	SENSOR BRACKET; IN SENSOR	1	

No.	Part No.	Description	Q'ty	Remark
35	050-55246-108	SHAFT ; DRIVEN ROLLER 2	4	
36	060-65012-004	DRIVEN ROLLER; L50	4	
37	050-64328-206	SOCKET; DRIVEN ROLLER	8	
38	050-55249-107	SPRING; DRIVEN ROLLER	8	
39	061-65041-001	TRAY 1 GUIDE; DRIVEN	1	
40	050-64369-000	SOCKET STOPPER	4	
41	050-65322-104	SUPPORT SHAFT ; TRANSFER GUIDE	2	
42	061-65042-008	JAM RELEASE SHAFT	1	
43	060-65014-007	PLATE; SPRING	1	
44	050-65209-103	SPRING ; RELEASE LEVER ; VTB	1	
45	060-65013-000	HOOK; JAM RELEASE	2	
46	061-65043-101	TRAY 1 LEVER	1	
47	061-65067-000	PLATE; JAM RELEASE HOOK	1	
48	061-65044-000	TRAY 1 GUIDE; U	1	
49	061-65045-104	TRAY 1 HINGE; F	1	
50	061-65047-107	TRAY 1 HINGE; R	1	
51	060-65080-000	TRAY TRANSFER U-GUIDE; DRIVEN	1	
52	050-64370-008	Socket Stopper Plate F; Switchback	2	
53	050-64371-004	Socket Stopper Plate R; Switchback	2	
54	060-65084-005	LINK PLATE; JAM RELEASE	1	
55	023-17069-009	COLLAR D12; CLAMP	1	
56	060-65087-101	FULCRUM SHAFT; JAM RELEASE LINK	1	
57	060-65088-000	BRIDGE; LINK DRIVE	1	
58	060-65082-002	BRACKET; UNIT	4	
59	052-10127-005	JOINT SHAFT	1	
60	061-65055-002	FIX PLATE A	1	
61	061-65065-008	PROTECTION SHEET	2	
62	060-65089-007	COVER; WIRE HARNESS	1	
63	060-65090-307	PLASTIC;DIAL; JAM RELEASE	1	
64	061-65052-100	JAM DIAL RELEASE SEAL; INTER PF	1	
65	061-65053-000	LABEL; TRAY 1 JAM RELEASE	1	
66	060-53070-203	WIRE HARNESS; INTL PF SNR 2 RLY	1	
67	061-53036-002	WIRE HARNESS; INTER-PF SNR 1	1	
68	023-17344-204	LIGHT ABSORBER STRIP (65X18)	1	

Fig10. 2nd Paper Feed

55 { 16, 44
56 { 1 ~ 4, 6 ~ 10, 12

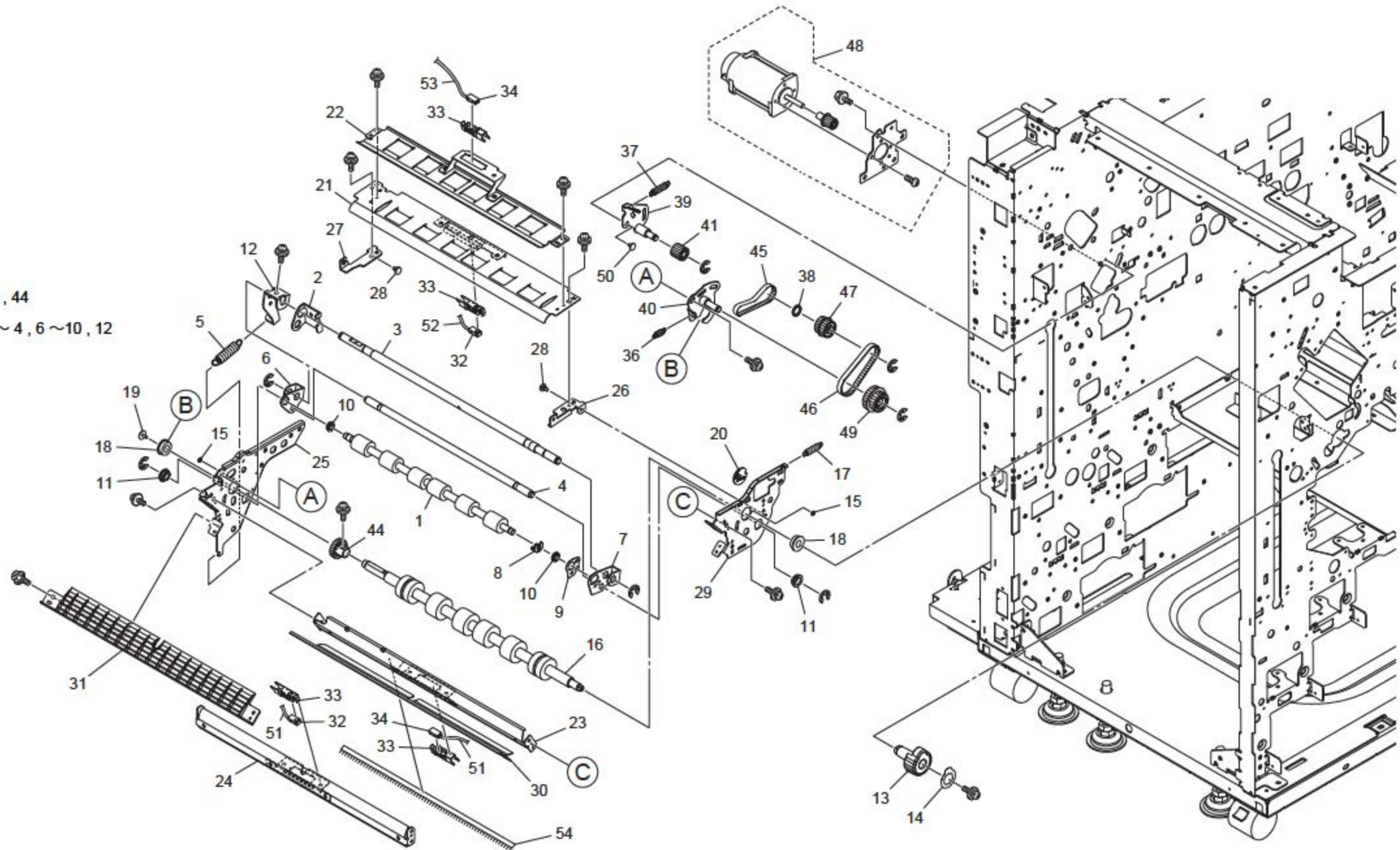


Fig.10 Second Paper Feed

No.	Part No.	Description	Q'ty	Remark
1	023-12511-501	GUIDE ROLLER	1	
2	050-12501-007	PRESSURE PLATE ; GUIDE ROLLER	1	
3	052-12167-101	SUPPORT SHAFT ; GUIDE ROLLER	1	
4	052-12168-108	PRESSURE SHAFT ; GUIDE ROLLER	1	
5	050-79689-000	GUIDE_ROLL_SPRING	1	
6	052-12169-007	SUPPORT PLATE R ; GUIDE ROLLER	1	
7	052-12171-109	SUPPORT PLATE F ; GUIDE ROLLER	1	
8	023-12519-006	LOCK PLATE; GUIDE ROLLER	1	
9	052-12172-008	PLATE ; GUIDE ROLLER ADJ.	1	
10	600-50057-006	BEARING;2F-FLAW678AZZ1/1K	2	
11	607-16001-000	METAL;F10X15/14X6;18X2	2	
12	061-12045-005	BRACKET; GUIDE ROLLER	1	
13	060-65090-307	PLASTIC;DIAL; JAM RELEASE	1	
14	060-12047-108	JAM DIAL RELEASE SEAL; REGIST	1	
15	060-12048-007	COLLOR; BEARING STOPPER	2	
16	061-12076-008	Regist Roller	1	
17	050-85009-003	SPRING; REGIST	1	
18	601-10195-004	BEARING; DDLF-1910ZZR	2	
19	651-00037-003	HEAD SCREW	1	
20	050-84969-003	CAM; REGIST	1	
21	050-12511-100	GUIDE PLATE MIDDLE	1	
22	050-12516-306	GUIDE PLATE UPPER	1	
23	061-12034-100	BRACKET; REGIST SENSOR	1	
24	050-12536-102	BRACKET; SENSOR	1	
25	061-12063-003	SUB-FRAME R; REGIST	1	
26	050-85122-004	BRACKETF; GUIDE PLATE F	1	
27	050-85123-000	BRACKETR; GUIDE PLATE R	1	
28	635-17423-108	STEPPED SCREW;F4X2.2;M3X4	2	
29	050-85135-009	SUB-FRAME F; REGIST	1	
30	052-12023-002	RE-FEED GUIDE	1	

No.	Part No.	Description	Q'ty	Remark
31	052-12022-103	GUIDE PLATE; VERTICAL TRANSFER	1	
32	451-40020-005	SENSOR; OF-11T-N23; (LOWER)	2	
33	050-12528-100	COVER ; SENSOR	4	
34	451-40021-001	SENSOR (RCV); OF-11R1-N23	2	
36	050-79688-004	SPRING_RST_2	1	
37	050-79690-009	SPRING_RST_1	1	
38	050-79691-005	PULLY_SPACER	1	
39	050-84277-004	TENSIONER 1; REGIST	1	
40	050-84278-000	TENSIONER 2; REGIST	1	
41	050-84279-007	TENSION ROLLER	1	
44	651-00312-004	GEAR; M1X26	1	
45	651-00318-002	BELT; 70-S2M-176	1	
46	621-00013-008	BELT ; 70-S2M-202	1	
47	050-79692-001	PULLY_S2M41_AS	1	
48	061-75153-002	REGIST MOTOR ASSY; SU	1	
49	651-00315-003	PULLEY; 1X26+54S2M	1	
50	635-00001-005	STEPPED SCREW ; F6X1.8 ; M3X4	1	
51	050-12908-301	WIRE HARNESS RESIST A	1	
52	050-12909-308	WIRE HARNESS ; RESIST B	1	
53	060-53079-006	WIRE HARNESS; TOP EDGE SNR1 RECV	1	
54	061-12078-000	DE-ELECTRICITY BRUSH: RE-FEED	1	
55	061-75117-006	REGIST ROLLER ASSY-GD; SU	1	
56	061-75146-006	GUIDE ROLLER ASSY	1	

Fig11. Side Registration Carriage Area

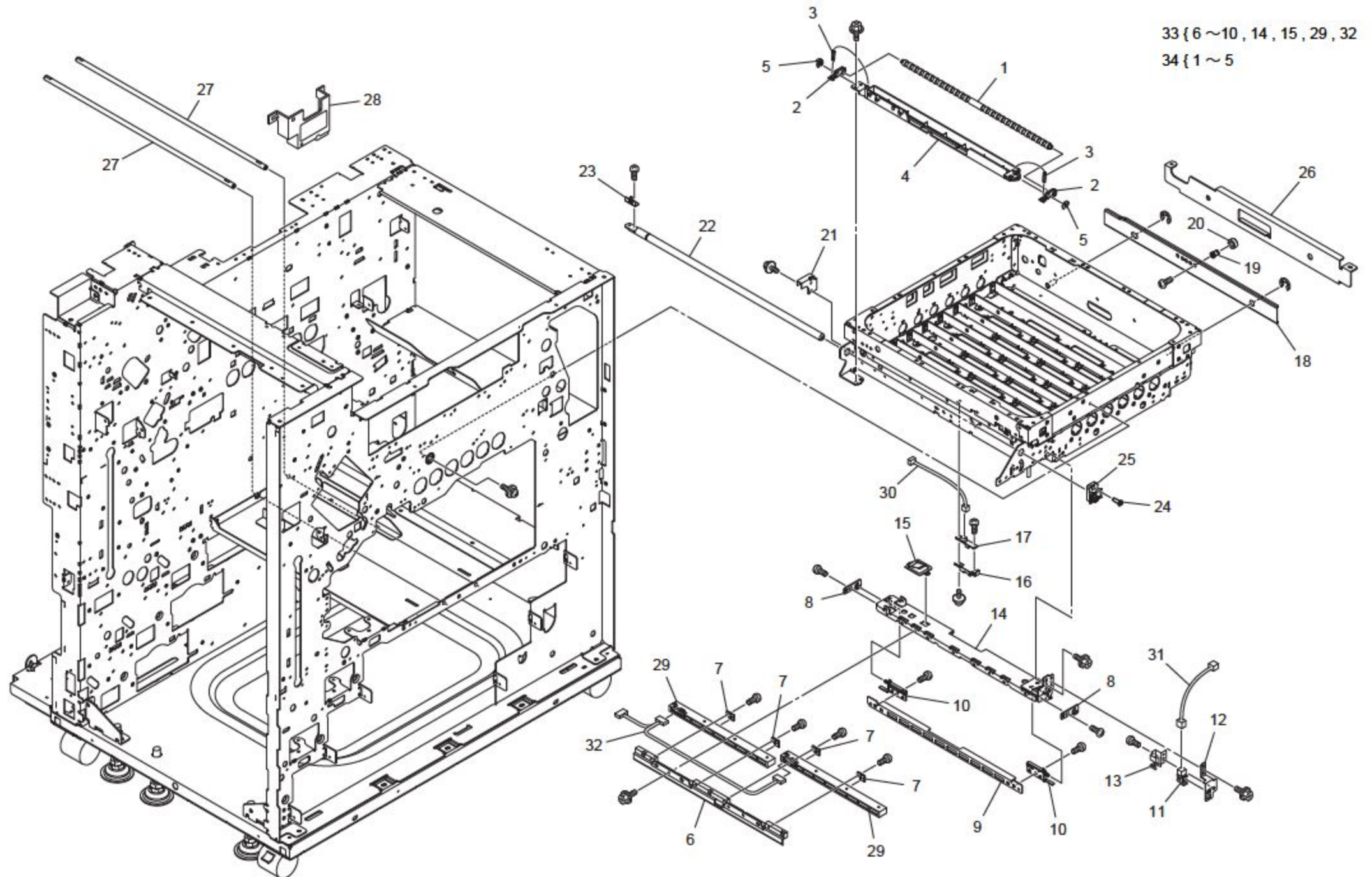


Fig.11 Side Registration Carriage Area

No.	Part No.	Description	Q'ty	Remark
1	050-12520-109	SS ROLLER	1	
2	050-12523-205	SS ROLLER ARM	2	
3	050-12535-009	SPRING; SS ROLLER	2	
4	052-12020-208	BU GUIDE PLATE	1	
5	023-17197-007	LOCK RING 4	2	
6	050-18001-103	CIS BASE BRACKET	1	
7	050-18002-207	CIS FIX PLATE	4	
8	050-18004-005	GATE ARM; PAPER DET.	2	
9	050-18009-007	BLADE; PAPER LIFT DET.	1	
10	050-18010-102	BASE; PAPER LIFT DET.	2	
11	444-30019-004	SENSOR; LG248D2	1	
12	050-18005-109	BRACKET; PAPER LIFT DET. SENSOR	1	
13	050-18014-108	SENSOR COVER	1	
14	050-18006-300	PAPER DET. FRAME	1	
15	050-18007-004	SPRING; PAPER DET.	1	
16	050-79683-002	COVER TOP EDGE SEN	1	
17	444-43010-103	RPR-220-PCB	1	
18	050-84944-000	HH_HANGER_PLATE	1	
19	050-85297-009	HG PIN; HH RAIL	1	
20	050-84968-007	RING; HH HANGER	1	
21	061-17045-003	HH_POSITION FIX PLATE	1	
22	050-84936-202	SHAFT; HH SUPPORT	1	
23	050-84941-001	HH_POSITION_PLATE	1	
24	651-00031-005	SCREW; SHOLDEK 4143	1	
25	050-79842-003	HH_PULL_KNOB	1	
26	061-17067-007	HEAD HOLDER STAY	1	
27	050-79722-105	BP_SHAFT	2	
28	061-19024-208	Bracket ; Transportation Jig	1	
29	451-50004-008	CIS; U8R216-6028	2	
30	061-53034-000	WIRE HARNESS; TOP EDGE SNR2 RLY	1	

No.	Part No.	Description	Q'ty	Remark
31	060-53062-006	WIRE HARNESS; P-LIFT DET SENSOR	1	
32	061-53006-006	WIRE HARNESS; P-POS. DETECT 2	1	
33	061-75118-002	PAPER POSITION DET ASSY-GD;SU	1	
34	060-75431-005	SS ROLLER ASSY	1	

Fig12. BP Unit (1)

1 { Fig 12 2 ~ 13, 15 ~ 50
33 { 34, 35
48 { 2 ~ 4, 50, 66

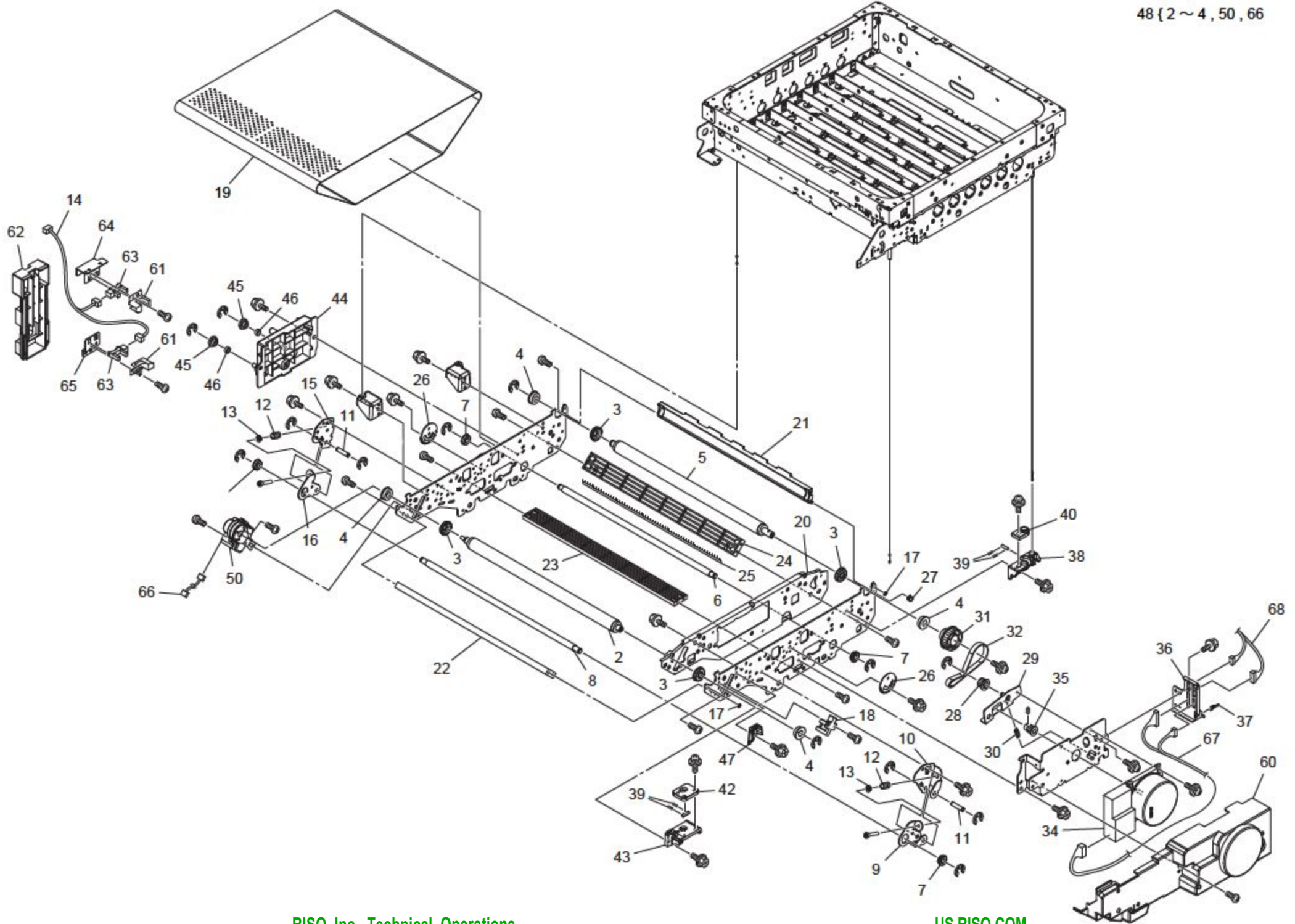


Fig.12 BP Unit (1)

No.	Part No.	Description	Q'ty	Remark
1	068-75012-000	BELT PLATEN UNIT II; SU	1	
2	061-19050-004	BELT DRIVEN ROLLER 2	1	
3	050-19004-009	BELT FLANGE	4	
4	601-10195-004	BEARING; DDLF-1910ZZR	4	
5	061-19052-007	BELT DRIVE ROLLER 2	1	
6	050-19005-200	IDLER ROLLER	1	
7	600-08168-205	BEARING; SC890ZZNR	4	
8	050-19006-206	TENSION ROLLER	1	
9	061-19001-003	F TENSION ROLLER PLATE A	1	
10	061-19002-000	F TENSION ROLLER PLATE B	1	
11	050-19009-000	SHAFT; TENSION ROLLER PLATE	2	
12	061-19045-000	TENSION SPRING G	2	
13	651-11001-000	CAP NUT TYPE F WS-5x5	2	
14	061-53008-009	WIRE HARNESS; BP POSITION SENSOR	1	
15	061-19040-009	R TENSION ROLLER PLATE B	1	
16	061-19039-000	R TENSION ROLLER PLATE A	1	
17	060-12048-007	COLLOR; BEARING STOPPER	2	
18	444-30017-206	OJ-611-A8	1	
19	068-75011-004	TRANSFER BELT II ; SU	1	
20	061-19005-106	REINFORCE PLATE; BP SIDE FRAME	1	
21	061-19006-102	BP PAPER GUIDE	1	
22	050-19095-101	STAY A; BP FRAME	1	
23	050-19096-000	STAY B; BP FRAME	1	
24	050-19097-104	STAY C; BP FRAME	1	
25	017-13258-101	DE-ELECTRICITY BRUSH;SUCTION	1	
26	050-19070-001	ADJ. PLATE; PLATEN	2	
27	050-79643-000	3ERING	1	
28	050-19114-009	IDLER PULLEY2	1	
29	061-19014-008	TENSIONER PLATE	1	
30	050-19094-105	IDLER TENSION SPRING	1	
31	611-90036-005	PULLEY;59S2M10	1	
32	621-00011-005	BELT;80-S2M-230	1	
33	061-75148-009	BP MOTOR ASSY	1	
34	451-00012-107	MOTOR; BH80BT56-02	1	

No.	Part No.	Description	Q'ty	Remark
35	611-90035-009	PULLEY; 21S2M10	1	
36	061-19018-003	BRACKET; BP WIRE HARNESS	1	
37	451-60025-003	GROUND WIRE; 200	1	
38	061-19012-005	WIRE HOOK B	1	
39	050-19029-001	SPRING; BP POSITION	4	
40	050-19073-000	BP POSITION PLATE A	1	
42	050-19074-007	BP POSITION PLATE B	1	
43	050-19075-100	GUIDE PLATE; BP POS. PLATE B	1	
44	061-19027-002	BP GUIDE PLATE	1	
45	050-19053-000	BP GUIDE ROLLER	2	
46	634-00005-003	COLLAR	2	
47	050-19022-104	WIRE HOOK A	1	
48	061-75147-100	BP DRIVEN ROLLER ASSY	1	
50	060-19010-005	ENCODER SHAFT	1	
60	061-19019-204	BP FRONT COVER	1	
61	061-19033-002	SENSOR COVER	2	
62	061-19020-008	BP GUIDE RAIL	1	
63	451-40017-004	SENSOR; LG285L2	2	
64	061-19032-006	BRACKET; BP UPPER SENSOR	1	
65	061-19031-000	BRACKET; BP LOWER SENSOR	1	
66	060-53063-100	WIRE HARNESS; BP ENCODER	1	
67	061-53007-002	WIRE HARNESS; BP INTERNAL	1	
68	068-75020-003	BP MOVABLE WIRE HARNESS-GL ; SU	1	

Fig13. BP Unit (2)

18 { Fig 12 2 ~ 13 , 15 ~ 59
66 ~ 67 , Fig 13

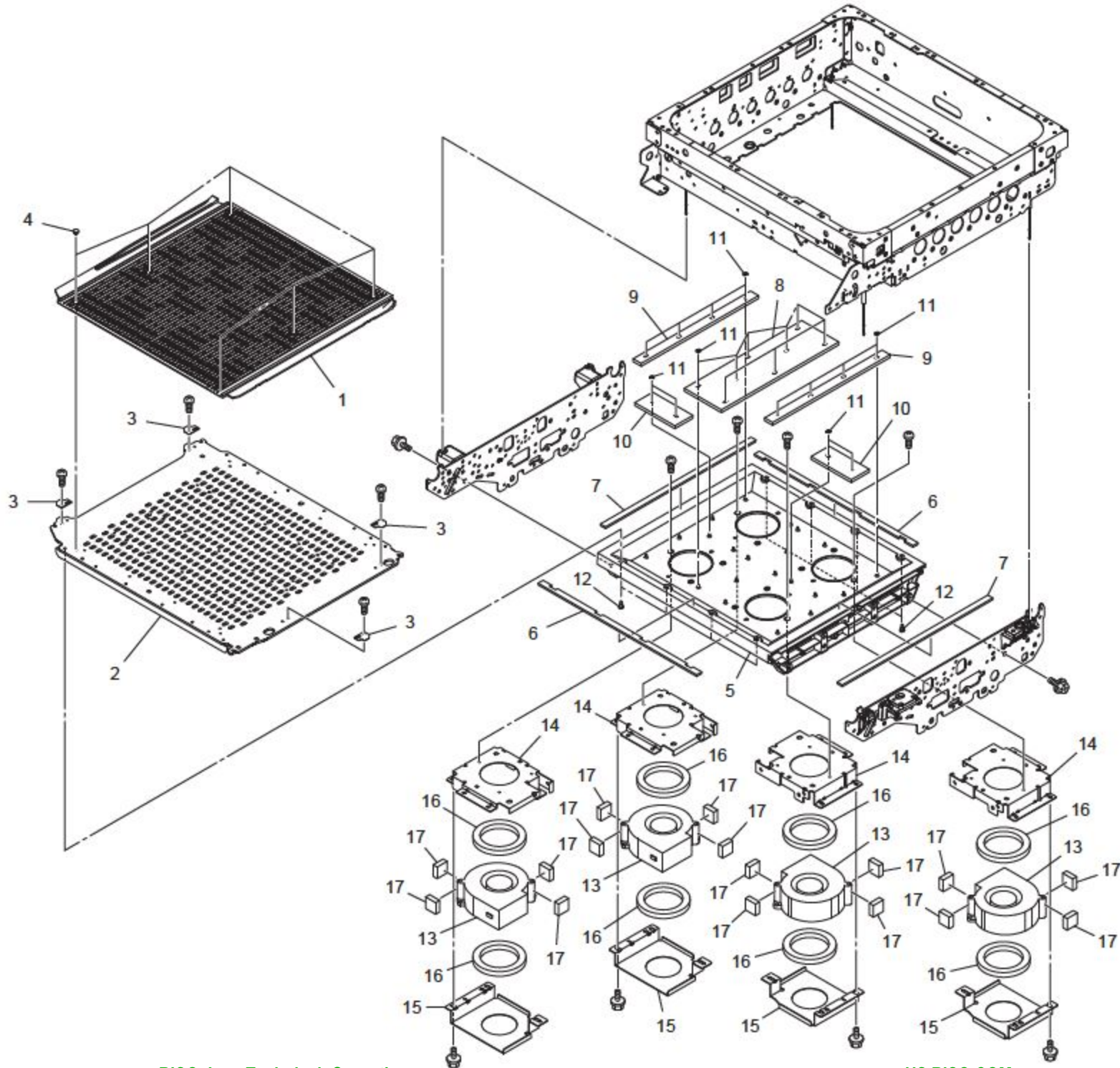


Fig.13 BP Unit (2)

No.	Part No.	Description	Q'ty	remark
3	052-19001-004	INSULATION PLATE ; BP	4	
4	635-17523-102	STEPPED SCREW;DIA.5*2;M3*3	6	
5	061-19003-006	BP FRAME	1	
6	050-19080-007	BP AIR SEAL A	2	
7	050-19081-003	BP AIR SEAL B	2	
8	061-19036-001	BP SEAL A	1	
9	061-19037-008	BP SEAL B	2	
10	061-19038-004	BP SEAL C	2	
11	651-00025-005	P NUT	20	
12	635-10002-107	STEPPED SCREW;F4X4.5;M3X4	8	
13	451-20011-000	FAN; E1033L24BCYP-28	4	
14	060-19039-003	FAN COVER U	4	
15	060-19040-001	FAN COVER L	4	
16	050-19078-002	FAN VIBRATION ABSORB SEAL	8	
17	050-19105-000	FAN GUIDE SEAL	16	
18	068-75012-000	BELT PLATEN UNIT II; SU	1	

No.	Part No.	Description	Q'ty	remark

Fig14. Paper Elevation Area

29 { 1 ~ 28

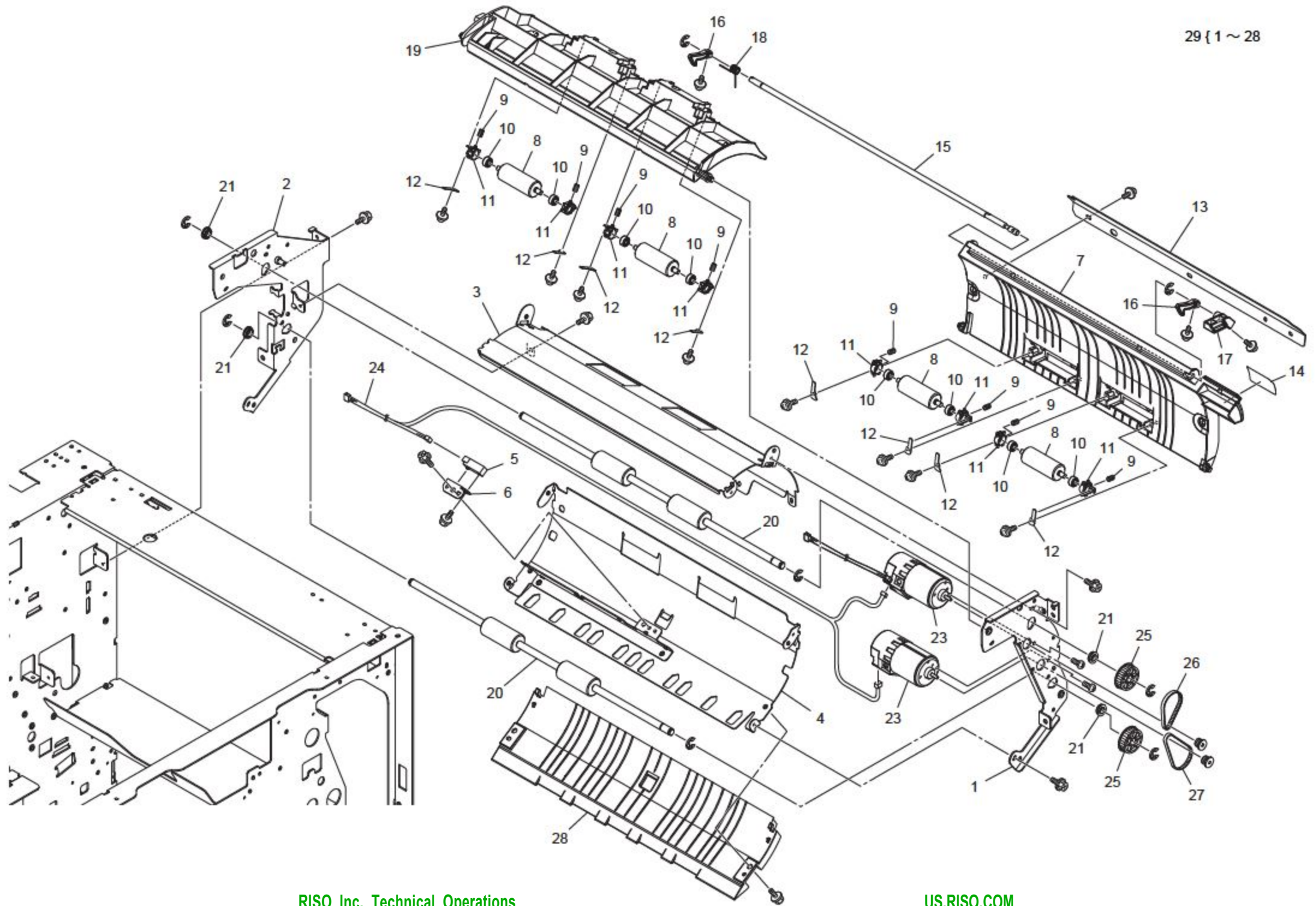


Fig.14 Paper Elevation Area

No.	Part No.	Description	Q'ty	Remark
1	061-55006-003	SIDE FRAME F; PAPER ELEVATION	1	
2	061-55003-004	SIDE FRAME R; PAPER ELEVATION	1	
3	061-55008-103	PAPER ELEVATION GUIDE U; DRIVE	1	
4	061-55009-002	PAPER ELEVATION GUIDE L; DRIVE	1	
5	444-33013-007	SENSOR ; PS124TD1	1	
6	050-55214-001	SENSOR BRACKET; IN SENSOR	1	
7	061-55012-100	PAPER ELEVATION GUIDE L; DRIVEN	1	
8	068-55004-109	ROLLER;DRIVEN ASSY	4	
9	050-55259-005	SPRING DRIVEN ROLLER	8	
10	651-00098-002	BEARING ; 685ZZA	8	
11	052-55016-107	SOCKET ; DRIVEN ROLLER 2	8	
12	052-55017-006	SOCKET STOPPER 2	8	
13	061-55073-002	REINFORCE PLATE; PAPER ELEVATION	1	
14	061-55080-106	LEVER SEAL; P-ELEVATION	1	
15	061-55014-200	JAM RELEASE SHAFT; P-ELEVATION	1	
16	060-65013-000	HOOK; JAM RELEASE	2	
17	061-65043-101	TRAY 1 LEVER	1	
18	061-55015-304	LEVER SPRING F7	1	
19	061-55013-107	PAPER ELEVATION GUIDE U; DRIVEN	1	
20	068-55013-108	ROLLER;ASCENDING TRANSFER	2	
21	600-50057-006	BEARING;2F-FLAW678AZZ1/1K	4	
23	060-75430-009	MOTOR; 555	2	
24	061-53024-101	WIRE HARNESS; P-ELEV MOTOR RLY	1	
25	651-00200-001	PULLEY; 45S2M	2	
26	651-00272-002	BELT; 40-S2M-118	1	
27	651-00195-008	BELT; 40-S2M-144	1	
28	050-55215-300	PAPER ELEVATION GUIDE L; DRIVE	1	
29	061-75125-203	PAPER ELEVATION UNIT	1	

No.	Part No.	Description	Q'ty	Remark

Fig15. Upper Transfer Unit

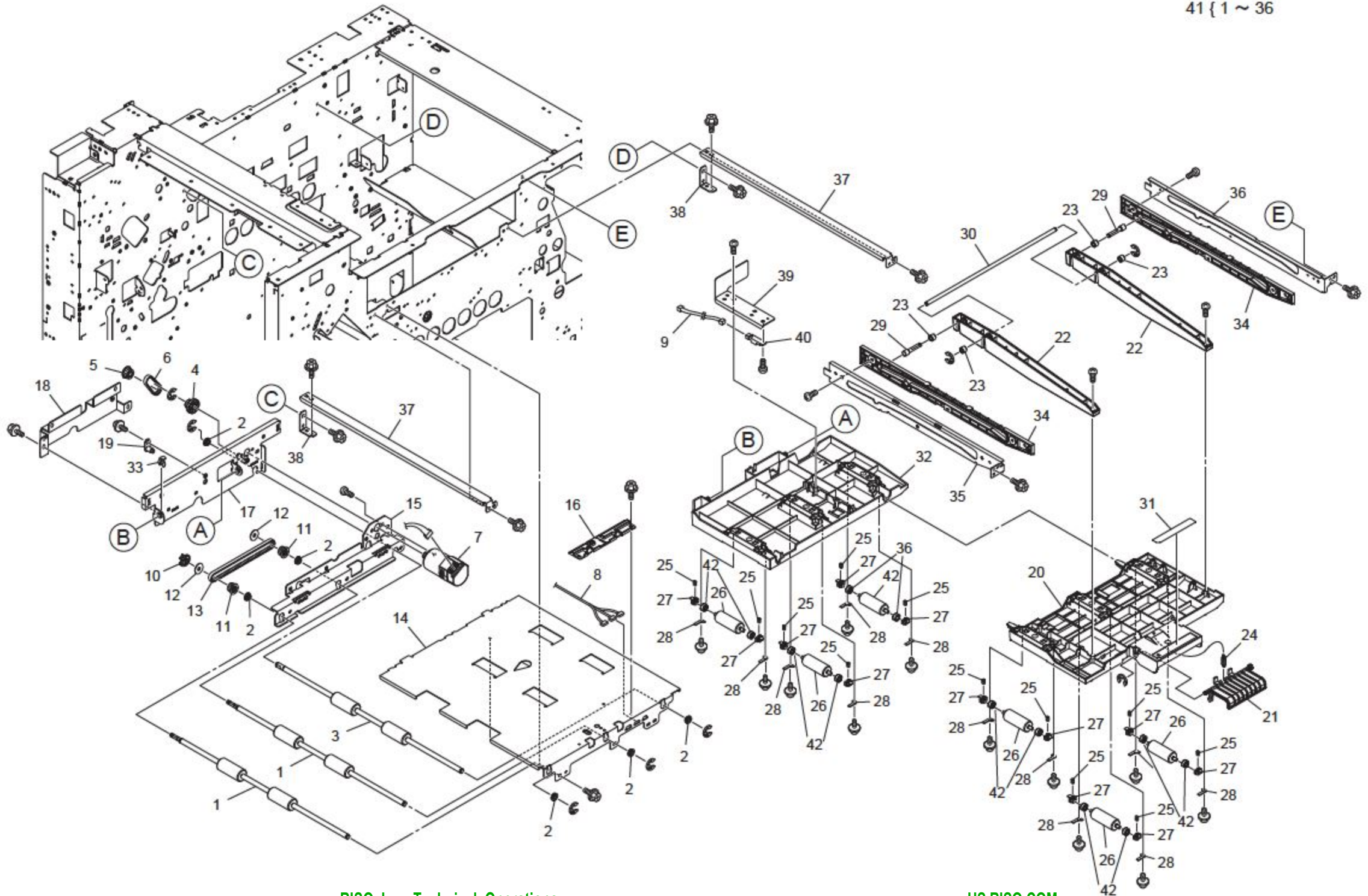


Fig.15 Upper Transfer Area

No.	Part No.	Description	Q'ty	Remark
1	068-55015-100	ROLLER;UPPER TRANSFER 2	2	
2	600-50057-006	BEARING;2F-FLAW678AZZ1/1K	6	
3	068-55014-104	ROLLER;UPPER TRANSFER 1	1	
4	651-00259-006	GEAR PULLEY; M0.8X30+16S3M	1	
5	611-90028-002	PULLEY;S3M-18	1	
6	651-00258-000	BELT; 60-S3M-120	1	
7	068-75018-009	UPPER TRANSFER MOTOR 2 ASSY-GL ; S	1	
8	061-53042-002	WIRE HARNESS; HORIZ PF MTR RLY 1	1	
9	061-53073-005	WIRE HARNESS; FD EJT FLIPPER RLY	1	
10	050-15112-109	DRIVE COUPLER	1	
11	611-90030-104	PULLEY; S3M-16	2	
12	639-00008-009	WASHER; 6X19X1P	2	
13	651-00260-004	BELT; 60-S3M-318	1	
14	061-55034-104	UPPER TRANSFER GUIDE; DRIVE	1	
15	061-55041-003	SIDE FRAME; UPPER TRANSFER	1	
16	061-55037-006	HOOK CATCH; UPPER TRANSFER	1	
17	061-55038-100	BRACKET; UPPER TRANSFER DRIVE	1	
18	061-55085-000	BRACKET; UPPER TRANSFER POS-PIN	1	
19	050-65322-104	SUPPORT SHAFT ; TRANSFER GUIDE	1	
20	061-55028-104	UPPER TRANSFER GUIDE F; DRIVEN	1	
21	061-55027-108	JAM RELEASE LEVER HANDLE	1	
22	061-55026-004	GUIDE; UPPER TRANSFER DRIVEN	2	
23	050-84616-003	P-Roll-Ring	4	
24	050-64319-002	RELEASE LEVER SPRING; SWITCHBACK B	1	
25	050-55249-107	SPRING; DRIVEN ROLLER	12	
26	068-55004-109	ROLLER;DRIVEN ASSY	6	
27	052-55016-107	SOCKET ; DRIVEN ROLLER 2	12	
28	052-55017-006	SOCKET STOPPER 2	12	
29	061-55077-008	SHAFT; U-TRANF DRIVEN GUIDE	2	
30	061-55079-000	R-SHAFT; U-TRANF DRIVEN GUIDE	1	

No.	Part No.	Description		Remark
31	061-55082-001	SEAL; UPPER TRANSFER	1	
32	061-55029-100	UPPER TRANSFER GUIDE R; DRIVEN	1	
33	030-21203-105	LOCK RING;ROLLER	1	
34	061-55031-008	GUIDE RAIL;U-TRANF JAM RELEASE	2	
35	061-55030-001	BRACKET L; U-TRANF GUIDE RAIL	1	
36	061-55032-004	BRACKET R; U-TRANF GUIDE RAIL	1	
37	061-55023-005	GUIDE RAIL;UPPER TRANSFER	2	
38	061-55024-001	BRACKET; U-TRANF GUIDE RAIL	2	
39	061-55022-009	BRACKET; FLIPPER SENSOR	1	
40	444-33012-000	SENSOR; GP2A210LCSJF	1	
41	061-75114-503	UPPER TRANSFER UNIT-GD; SU	1	
42	651-00098-002	BEARING ; 685ZZA	12	

Fig16. Switchback Unit A

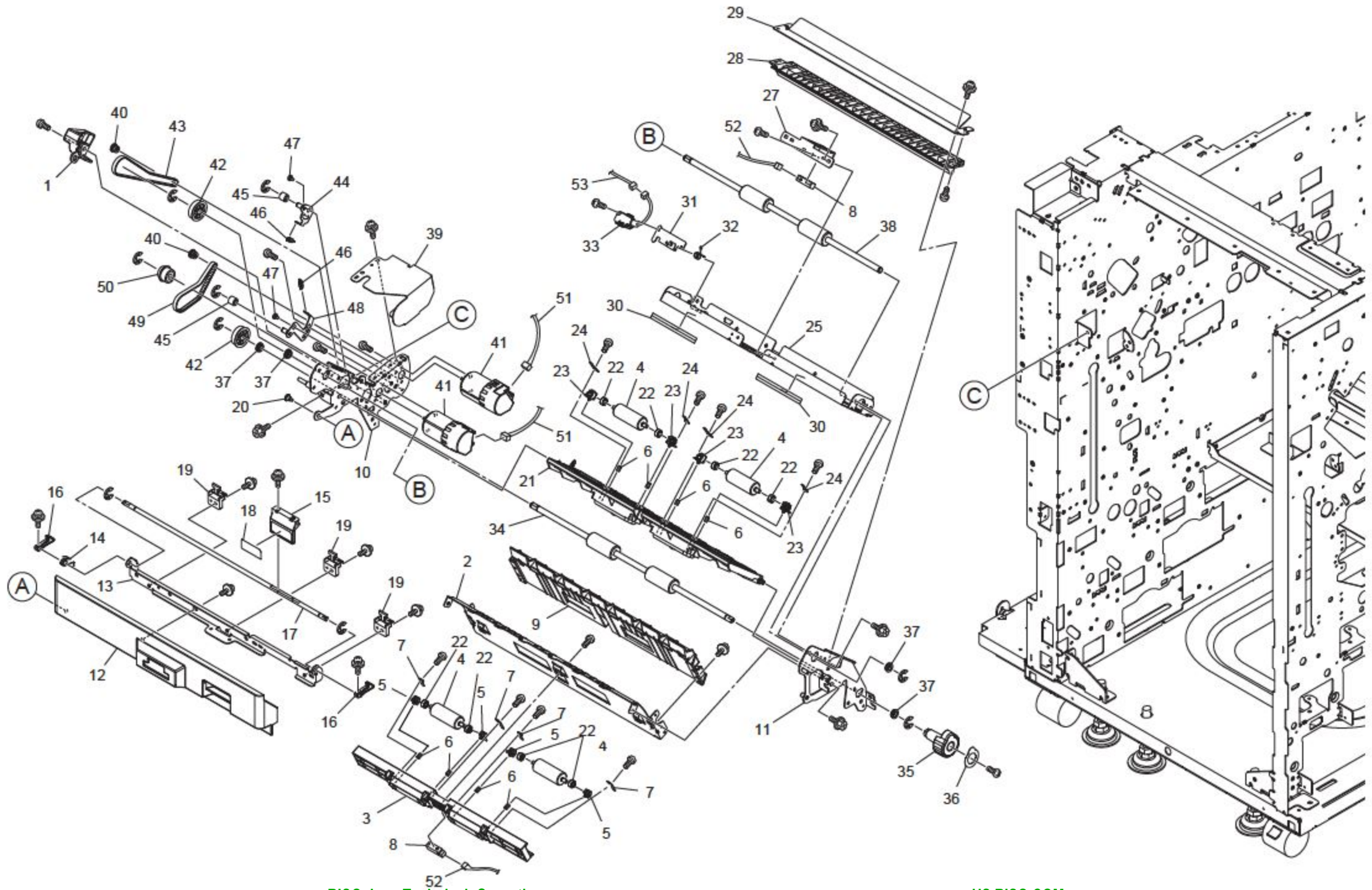


Fig.16 Switchback Unit A

No.	Part No.	Description	Q'ty	Remark
1	061-64038-007	PULLEY COVER; SB	1	
2	050-64302-100	RE-FEED GUIDE; DRIVEN	1	
3	050-64312-601	BASE BRACKET ; DRIVEN ROLLER ; SWIT	1	
4	068-64001-007	ROLLER;DRIVEN 9	4	
5	052-55016-107	SOCKET ; DRIVEN ROLLER 2	4	
6	050-55249-107	SPRING; DRIVEN ROLLER	8	
7	052-55017-006	SOCKET STOPPER 2	4	
8	444-33013-007	SENSOR ; PS124TD1	2	
9	050-64321-201	RE-FEED GUIDE U; DRIVE	1	
10	061-64130-000	SIDE FRAME R; SWITCHBACK A	1	
11	061-64105-006	SIDE FRAME F; SWITCHBACK A	1	
12	061-64113-106	COVER; SWITCHBACK	1	
13	061-64110-107	BRACKET; JAM RELEASE SHAFT	1	
14	050-64349-009	RELEASE LEVER SPRING ; SWITCHBACK A	1	
15	060-55024-004	LEVER; JAM RELEASE	1	
16	060-65013-000	HOOK; JAM RELEASE	2	
17	061-64111-006	RELEASE LEVER SHAFT; SB-A	1	
18	061-64112-100	SEAL; SB RELEASE LEVER	1	
19	061-64144-001	PLASTIC;GUIDE SUPPORT	3	
20	635-10008-105	STEPPED SCREW;F6X5;M3X5	1	
21	061-64120-005	SB GUIDE; DRIVEN	1	
22	651-00098-002	BEARING ; 685ZZA	8	
23	052-55016-107	SOCKET ; DRIVEN ROLLER 2	8	
24	052-55017-006	SOCKET STOPPER 2	8	
25	061-64114-005	SB GUIDE; DRIVE	1	
27	061-64127-000	BRACKET; SB SENSOR	1	
28	061-64119-104	SB GUIDE; L	1	
29	061-64136-009	SB GUIDE; U	1	
30	047-63058-005	DE-ELECTRICITY BRUSH: IN	2	

No.	Part No.	Description	Q'ty	Remark
31	024-28059-100	BRACKET ; SAFETY SW	1	
32	023-28403-105	SPRING; SAFETY SW/DRUM & MM	1	
33	058-53011-101	WIRE;MACHINE SET SW	1	
34	061-64103-003	RE-FEED DRIVE ROLLER	1	
35	060-65090-307	PLASTIC;DIAL; JAM RELEASE	1	
36	061-64102-104	SEAL; JAM RELEASE DIAL SB-A	1	
37	600-50057-006	BEARING;2F-FLAW678AZZ1/1K	4	
38	061-64100-004	SB DRIVE ROLLER	1	
39	061-64074-003	MOTOR COVER	1	
40	611-90009-008	PULLEY; P16-S2M-6.3	2	
41	060-75430-009	MOTOR; 555	2	
42	651-00200-001	PULLEY; 45S2M	2	
43	651-00269-001	BELT; 60-S2M-340	1	
44	061-64132-100	TENSIONER PLATE; SB	1	
45	047-64675-008	TENSIONER ROLLER ; FOURTH TRANSFER	2	
46	024-15172-004	SPRING;ONE-WAY HOOK	2	
47	635-17613-209	STEP SCREW; D6X1.5; M3X4.5	2	
48	061-64079-102	TENSIONER PLATE; RE-FEED	1	
49	651-00296-106	BELT; 60-S2M-216	1	
50	613-10013-004	GEAR PULLEY; M1X21+33S2M	1	
51	061-53054-000	WIRE HARNESS; SWITCHBACK/RE-FEED	1	
52	061-53055-007	WIRE HARNESS; SWITCHBACK UNIT	1	
53	061-53051-001	WIRE HARNESS; SWITCHBACK UNIT A	1	
54	061-75120-503	SWITCHBACK A UNIT; SU	1	

Fig17. Switchback Unit B

34 { 1 ~ 17, 33
35 { 18 ~ 32

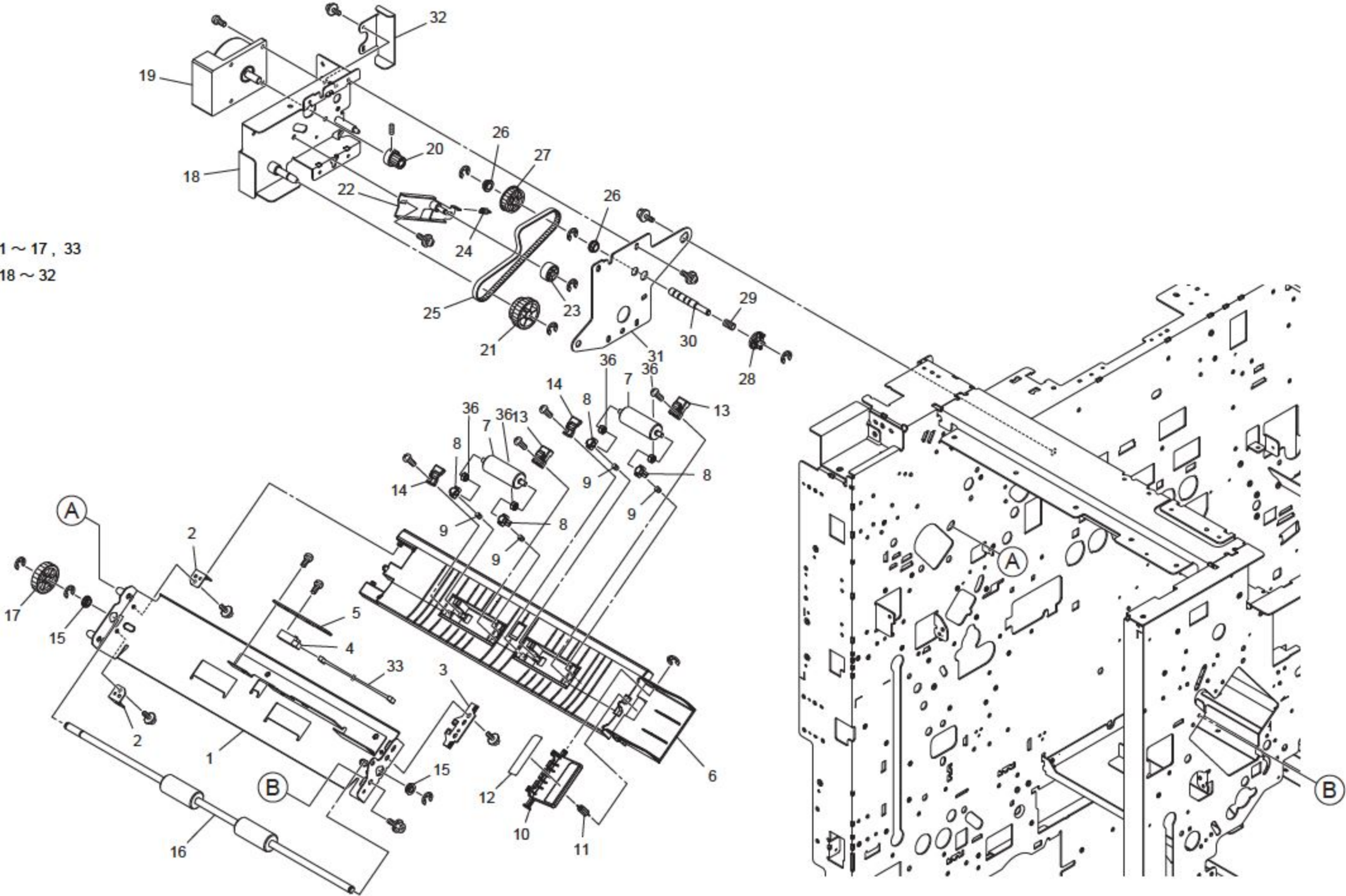


Fig.17 Switchback Unit B

No.	Part No.	Description	Q'ty	Remark
1	061-64001-200	SWITCHBACK GUIDE ; DRIVE	1	
2	050-64361-009	HINGE; SWITCHBACK B	2	
3	050-64362-005	HOOK CATCH; SWITCHBACK B	1	
4	444-33013-007	SENSOR ; PS124TD1	1	
5	061-64137-005	SENSOR BRACKET; OUT SENSOR	1	
6	050-64306-504	SWITCHBACK GUIDE ; DRIVEN	1	
7	068-64001-007	ROLLER;DRIVEN 9	2	
8	052-55016-107	SOCKET ; DRIVEN ROLLER 2	4	
9	050-55249-107	SPRING; DRIVEN ROLLER	4	
10	061-64141-100	RELEASE LEVER; SWITCHBACK B	1	
11	050-64319-002	RELEASE LEVER SPRING; SWITCHBACK B	1	
12	061-64004-102	RELEASE LEVER SEAL; SWITCHBACK B	1	
13	052-55017-006	SOCKET STOPPER 2	4	
14	651-00098-002	BEARING ; 685ZZA	4	
15	600-50057-006	BEARING;2F-FLAW678AZZ1/1K	2	
16	061-64005-001	UPPER TRANSFER DRIVE ROLLER 6	1	
17	651-00270-000	GEAR; M1X34X8.2	1	
18	061-64135-100	BRACKET; SWITCHBACK B MOTOR	1	
19	451-00017-001	MOTOR; DNQ10MF6W22F	1	
20	611-90045-004	PULLEY; S2M-25X12	1	
21	651-00266-002	GEAR; M1X34+45S2M	1	
22	061-64123-101	TENSIONER PLATE; SWITCHBACK B	1	
23	050-65206-007	VERTICAL TRANSFER ; DRIVEN ROLLER	1	
24	024-15172-004	SPRING;ONE-WAY HOOK	1	
25	651-00267-009	BELT; 60-S2M-344	1	
26	607-15016-004	METAL; F8X11/10X5.5	2	
27	651-00200-001	PULLEY; 45S2M	1	
28	050-15112-109	DRIVE COUPLER	1	
29	050-15143-004	DRIVE JOINT SPRING	1	
30	061-55017-005	SHAFT; U-TRANF DRIVE JOINT	1	

No.	Part No.	Description	Q'ty	Remark
31	061-55016-009	BRACKET; U-TRANF DRIVE JOINT	1	
32	061-64142-009	PULLEY COVER	1	
33	061-53056-003	WIRE HARNESS; SWITCHBACK UNIT B	1	
34	061-75119-203	SWITCHBACK UNIT B; SU	1	
35	068-75018-009	UPPER TRANSFER MOTOR 2 ASSY-GL ; S	1	

Fig18. Face-Down Ejection Unit

45 { 1 ~ 12, 14, 15, 17 ~ 38, 43, 44 }

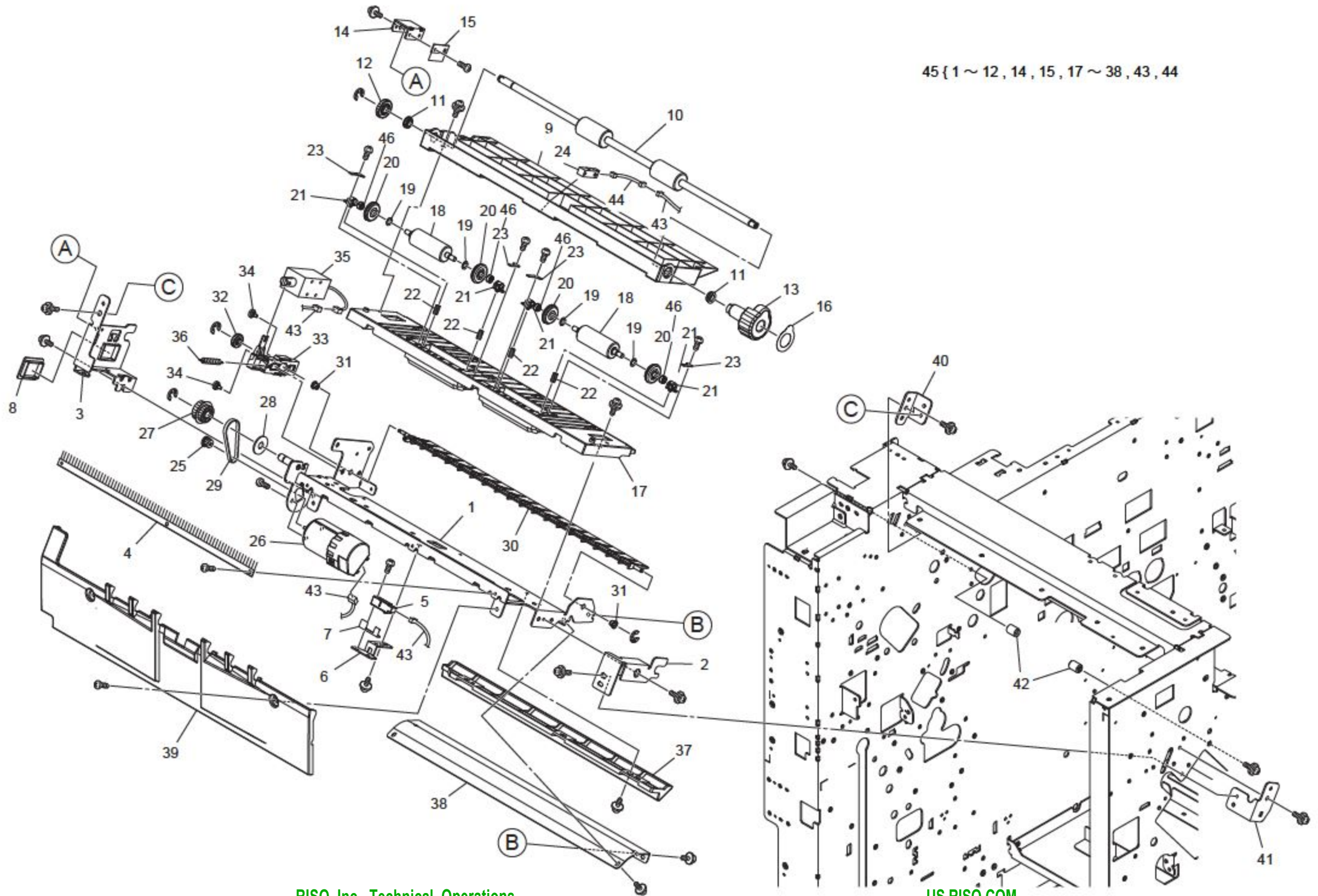


Fig.18 Face-Down Ejection Unit

No.	Part No.	Description	Q'ty	Remark
1	061-62001-106	FRAME; PAPER EJECTION	1	
2	050-62173-000	FULCRUM BASE PLATE F	1	
3	061-62004-105	FULCRUM BASE PLATE R	1	
4	050-62060-400	DE-ELECTRICITY BRUSH; 314	1	
5	444-33010-008	PS119ED1/SENSOR/PS119ED1	1	
6	050-62178-002	BRACKET; FULL SENSOR	1	
7	050-62185-009	GROUND PLATE; FULL SENSOR	1	
8	665-04054-005	SQUARE BUSHING;SB-2718	1	
9	061-62005-101	EJECTION GUIDE; DRIVE	1	
10	061-62006-205	DRIVE ROLLER D; EJECTION	1	
11	600-50057-006	BEARING;2F-FLAW678AZZ1/1K	2	
12	612-10066-003	GEAR; M1X20X4	1	
13	060-65090-307	PLASTIC;DIAL; JAM RELEASE	1	
14	061-62021-000	BRACKET; DE-ELECTRICITY BRUSH	1	
15	060-65018-002	DE-ELECTRICITY BRUSH; 28	1	
16	061-62036-104	SEAL; JAM RELEASE DIAL FD	1	
17	061-62008-208	EJECTION GUIDE; DRIVEN	1	
18	061-62017-100	EJECTION DRIVEN M-ROLLER D	2	
19	651-00097-006	WASHER ; 6.2X9.5X0.5	4	
20	061-62018-106	EJECTION DRIVEN WING-ROLLER D	4	
21	052-55016-107	SOCKET ; DRIVEN ROLLER 2	4	
22	050-62041-007	PRESS SPRING; EJECTION	4	
23	052-55017-006	SOCKET STOPPER 2	4	
24	444-33013-007	SENSOR ; PS124TD1	1	
25	611-90009-008	PULLEY; P16-S2M-6.3	1	
26	060-75430-009	MOTOR; 555	1	
27	613-10006-008	PULLEY; M1X20+32S2M	1	
28	639-00007-002	WASHER ; 8X22X1.5	1	
29	621-00010-009	BELT; 40-S2M-132	1	
30	061-62009-107	FLIPPER; FD SB	1	

No.	Part No.	Description	Q'ty	Remark
31	607-11003-005	METAL;F4X6/5.6X5.9;9X1	2	
32	061-62011-004	GEAR; M1X14	1	
33	061-62012-108	LINK PLATE; FLIPPER SOLENOID	1	
34	018-35023-105	STEPPED SCREW; 6X2.3;M3X4.7	2	
35	490-50011-100	SOLENOID; TDS-09AL-508	1	
36	050-62042-003	SOLENOID SPRING	1	
37	061-62015-107	SWITCHBACK GUIDE U	1	
38	061-62014-003	SWITCHBACK GUIDE L	1	
39	061-62031-200	END WALL G	1	
40	061-62016-006	BRACKET_EXIT_R	1	
41	050-79717-004	BRACKET_EXIT_F	1	
42	050-79718-000	STUD_EXIT	2	
43	068-53004-004	WIRE;FD EJECTION UNIT 2	1	
44	068-53005-000	WIRE;FD FEED SENSOR RLY 2	1	
45	068-75013-007	FD EJECTION UNIT-GL ; SU	1	
46	651-00098-002	BEARING ; 685ZZA	4	

Fig19. Face-Down Fence Unit

17 { 1 - 12, 15, 16

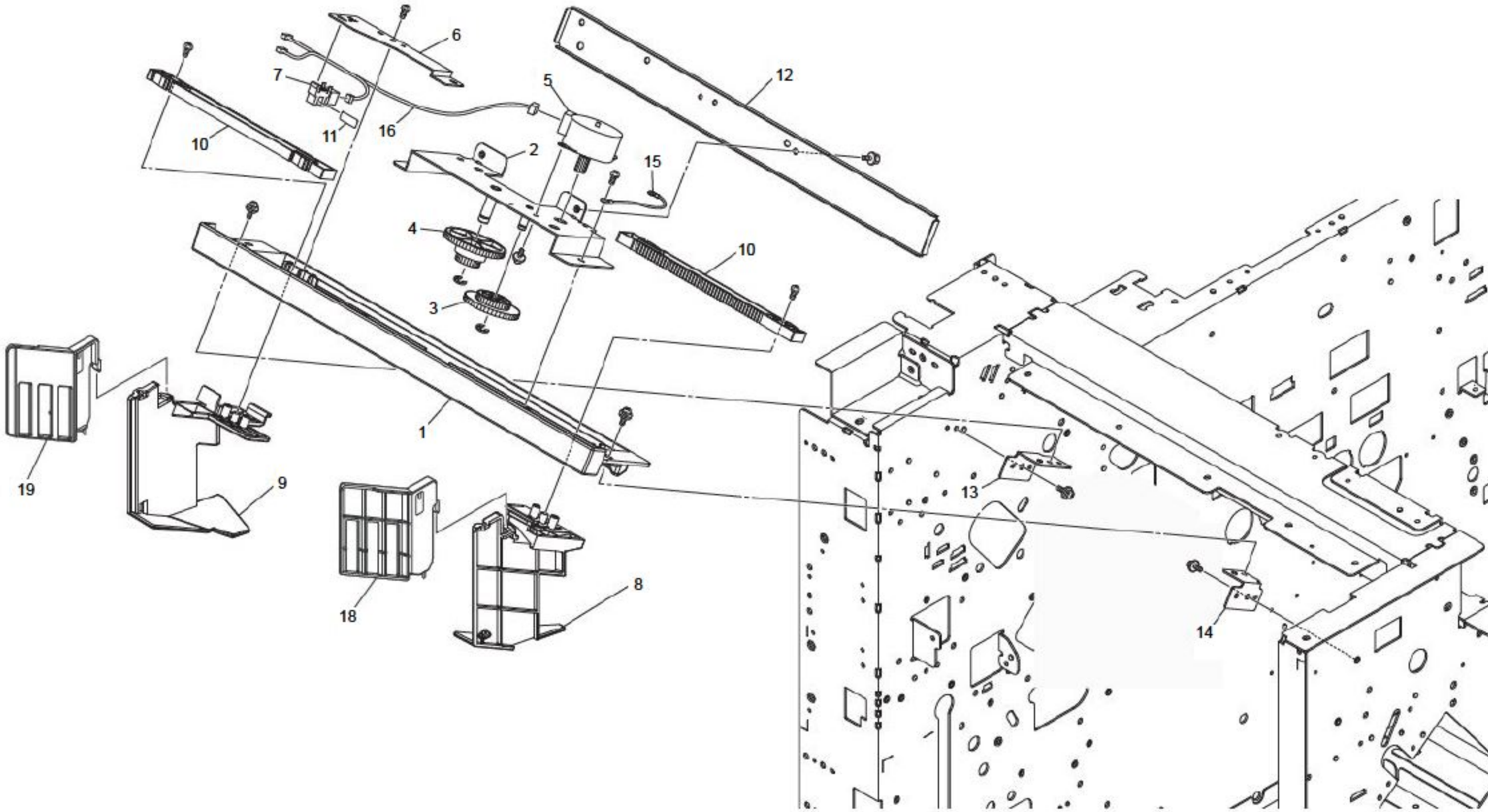


Fig.19 Face-Down Fence Unit

No.	Part No.	Description	Q'ty	Remark
1	061-62034-209	FENCE UNIT BASE G	1	
2	050-62021-308	BRACKET; FENCE MOTOR	1	
3	612-10068-006	GEAR; M0.5X90+M1X26	1	
4	612-10067-000	GEAR; M1X48+M1X18	1	
5	490-33015-100	MOTOR; PM42L-048-ZVS6	1	
6	061-62019-005	BRACKET; FENCE HP SENSOR	1	
7	444-30008-100	SENSOR; LG-248NL1	1	
8	061-62033-008	FD FENCE F	1	
9	061-62032-001	FD FENCE R	1	
10	042-30067-002	SLIDE RACK ; ORIGINAL SIDE GUIDE	2	
11	699-04003-107	SHEET; FRONT DOOR DET. SENSOR	1	
12	050-62057-000	FENCE UNIT COVER PLATE	1	
13	050-62051-100	BRACKET R; FD FENCE	1	
14	050-62050-006	BRACKET F; FD FENCE	1	
15	050-62904-005	GROUND WIRE; FD EJECTION	1	
16	061-53012-006	WIRE HARNESS; FD P-GUIDE UNIT	1	
17	068-75014-003	FD FENCE UNIT-GL; SU	1	
18	061-62029-000	EJECTION SUB FENCE; F G	1	
19	061-62030-009	EJECTION SUB FENCE; R G	1	

No.	Part No.	Description	Q'ty	Remark

Fig20. BP Elevating Unit

- 61 { 10 ~ 13
- 62 { 1 ~ 4, 6, 7, 23, 35, 36
- 63 { 1 ~ 4, 6, 7, 9, 35, 36
- 64 { 42 ~ 48, 55, 57

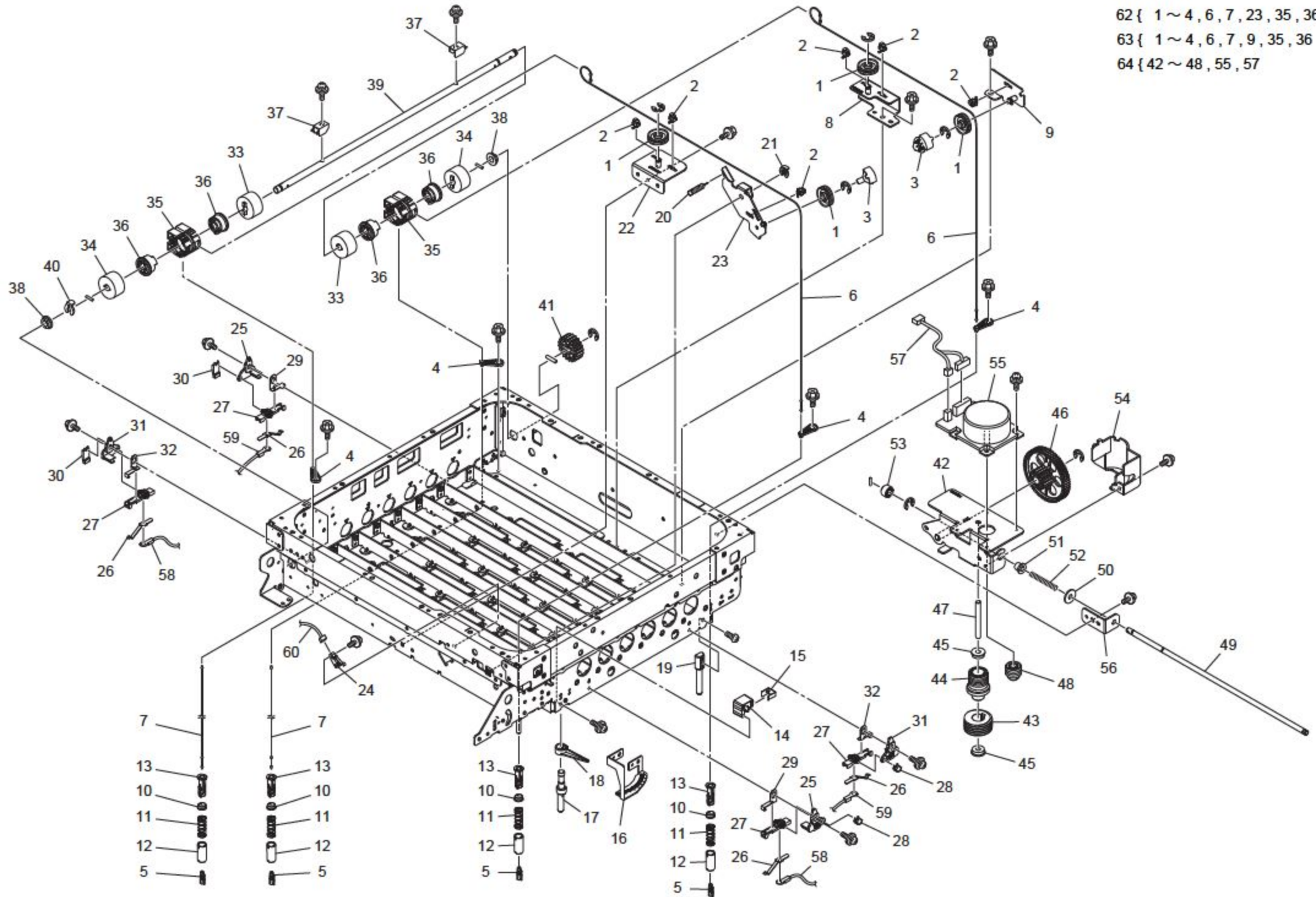


Fig.20 BP Elevating Unit

No.	Part No.	Description	Q'ty	Remark
1	050-79711-006	GUIDE_PULLY	4	
2	050-79696-007	WIRE_GUIDE	6	
3	050-79698-000	CORNER_GUIDE	2	
4	050-85082-002	HOLE GUIDE	4	
5	050-86325-006	WIRE STOPPER	4	
6	050-87034-200	WIRE; F	2	
7	050-87035-109	WIRE;R	2	
8	050-84273-009	WIRE POST 2; HH	1	
9	050-84209-009	BRACKET; PULLEY	1	
10	050-85381-107	SPRING GUIDE	4	
11	050-85293-003	SPRING; BP GAP ADJUST	4	
12	052-68010-000	GAP ADJUST	4	
13	052-68009-100	ROTARY GUIDE	4	
14	061-17087-008	BASE; BP ANGLE SHAFT	1	
15	061-17089-000	SPRING; BP ANGLE ADJ SHAFT	1	
16	061-17030-006	BP ANGLE GAUGE PLATE	1	
17	061-17031-002	SHAFT; BP ANGLE ADJUST	1	
18	061-17034-001	BP ANGLE INDICATE PIN	1	
19	061-17064-008	PIN; HH	1	
20	050-79697-003	SPRING	1	
21	023-17197-007	LOCK RING 4	1	
22	050-84246-001	WIRE POST; HH	1	
23	050-84210-007	PULLEY BRACKET; BP ELEVATION	1	
24	050-79883-001	MICRO SW; WIRE SLACK	1	
25	050-84680-003	HOLD BASE1	2	
26	052-68016-009	CONTACT SPRING	4	
27	050-79685-102	CNT HOLDER	4	
28	050-79643-000	3ERING	2	
29	052-68018-001	GROUND SHIELD ; L	2	
30	050-79684-009	HOLD_CLIP	2	
31	050-84697-003	HOLD BASE 2	2	
32	052-68019-008	GROUND SHIELD ; R	2	

No.	Part No.	Description	Q'ty	Remark
33	050-79708-005	T_LIMITTER_6000	2	
34	651-00304-001	TORQUE LIMITTER 8000	2	
35	050-85093-004	WIRE COVER	2	
36	050-85076-002	ROLL UP PULLEY	4	
37	060-17050-000	LIMITER STOPPER	2	
38	651-00018-009	METALF8X13/12X5;16X2	2	
39	061-17028-001	SHAFT; BP ROLL UP	1	
40	030-21203-105	LOCK RING;ROLLER	1	
41	050-79675-000	GEAR_M1.5Z20_SET	1	
42	050-84260-101	BASE; WIRE DRIVE	1	
43	651-00062-008	WORM GEAR	1	
44	052-68021-002	JUNCTION GEAR ; BP EL MOTOR	1	
45	651-00027-008	METAL; F696ZZ1	2	
46	651-00055-001	WORM WHEEL	1	
47	050-85066-007	WORM SHAFT	1	
48	651-00254-004	GEAR; BP EL MOTOR	1	
49	050-85069-006	SHAFT; MANUAL	1	
50	050-84613-004	SPRING PLATE	1	
51	050-84652-000	BEARING A	1	
52	050-84690-009	SPRING; SHAFT	1	
53	651-00056-008	GEAR; MANUAL	1	
54	050-79676-006	DRIVE_PLATE_COVER	1	
55	451-00010-007	MOTOR; DNQ10M79W25F	1	
56	050-84804-004	HOLDER; MANUAL SHAFT	1	
57	061-53044-005	WIRE HARNESS; BP ELEV-MTR RLY	1	
58	050-79875-203	WIRSNAP CBL	2	
59	050-79891-209	WIPSNAP1 CBL	2	
60	061-53057-000	WIRE HARNESS; BP W LOOSE SW RLY	1	
61	052-75237-100	GAP_ADJUST_SET	4	
62	050-79699-200	WIRE_ASSY_L	1	
63	050-79700-209	WIRE_ASSY_R	1	
64	061-75154-009	BP EL MOTOR ASSY-GD	1	

Fig21. Ink Cartridge Holder (1)

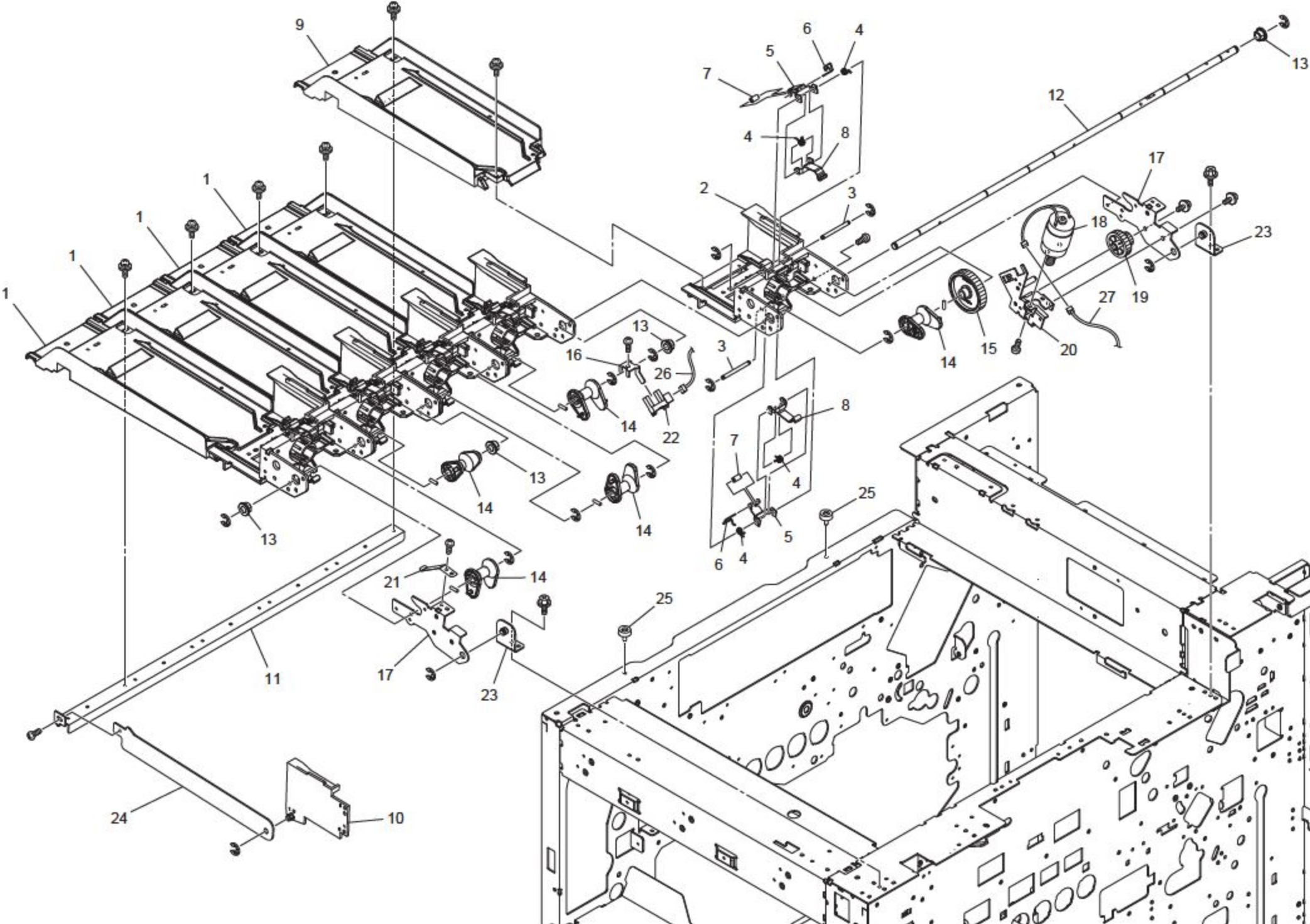
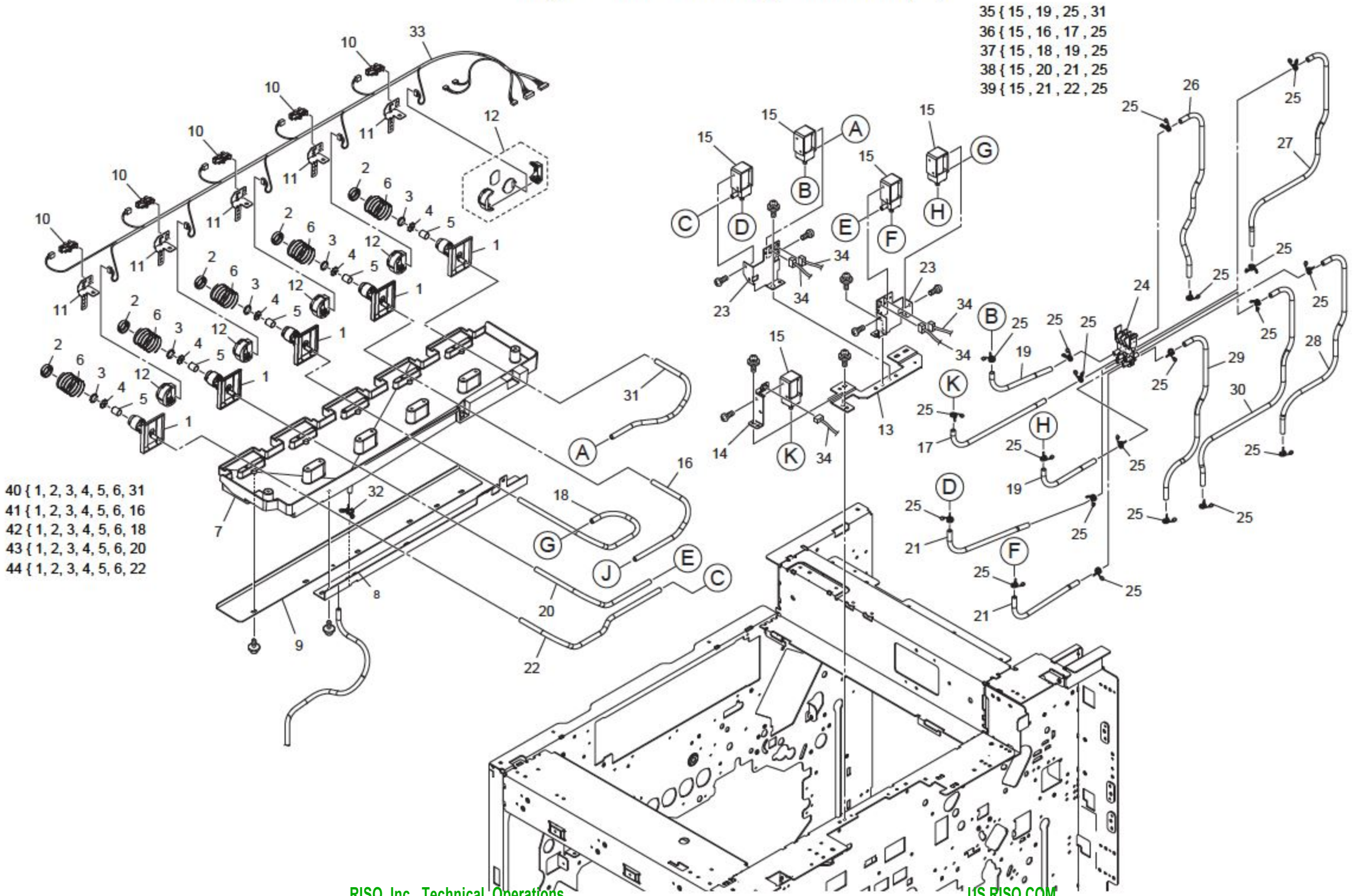


Fig.21 Ink Carriage Holder (1)

No.	Part No.	Description	Q'ty	Remark
2	060-68002-000	HOLDER; INK CARTRIDGE	1	
3	050-85083-106	SHAFT; CARTRIDGE HOLDER	2	
4	050-86232-008	TWIST SPRING 2	4	
5	050-86263-000	CANTILEVER CA	2	
6	050-86278-008	ROLLER SHAFT 2	2	
7	050-86279-004	CA ROLLER 2	2	
8	050-86288-003	CANTILEVER JOINT	2	
9	061-68003-003	BASE PLATE; INK CARTRIDGE HOLDER	1	
10	061-68004-000	REINFORCE PLATE; INK CARTRIDGE	1	
11	061-68006-100	PLATE; INK CARTRIDGE HOLDER	1	
12	061-68001-000	CAM SHAFT; INK CARTRIDGE	1	
13	050-83597-005	METAL 8	4	
14	050-85051-000	CA CAM	5	
15	050-79637-000	GEAR_Z50	1	
16	061-68002-007	SHIELD PLATE; CAM HP SENSOR	1	
17	061-68007-009	BRACKET; INK CARTRIDGE HOLDER	2	
18	050-75152-002	445 CCW MOTOR ASSY	1	
19	050-79638-007	GEAR_Z15_Z38	1	
20	050-84255-000	BRACKET; CAM DRIVE MOTOR	1	
21	050-79657-001	SW_SPRING	1	
22	451-40017-004	SENSOR; LG285L2	1	
23	050-84211-003	FRAME BRACKET; INK CARTRIDGE	2	
24	061-68032-003	ARM PLATE; INK CARTRIDGE	1	
25	635-00424-003	THUMBSCREW; M4x1	2	
26	061-53017-105	WIRE HARNESS; CA SNR RFID RLY	1	
27	061-53018-209	WIRE HARNESS; CARTRIDGE ACTU RLY	1	

No.	Part No.	Description	Q'ty	Remark

Fig22. Ink Cartridge Holder (2)



- 35 { 15, 19, 25, 31
- 36 { 15, 16, 17, 25
- 37 { 15, 18, 19, 25
- 38 { 15, 20, 21, 25
- 39 { 15, 21, 22, 25

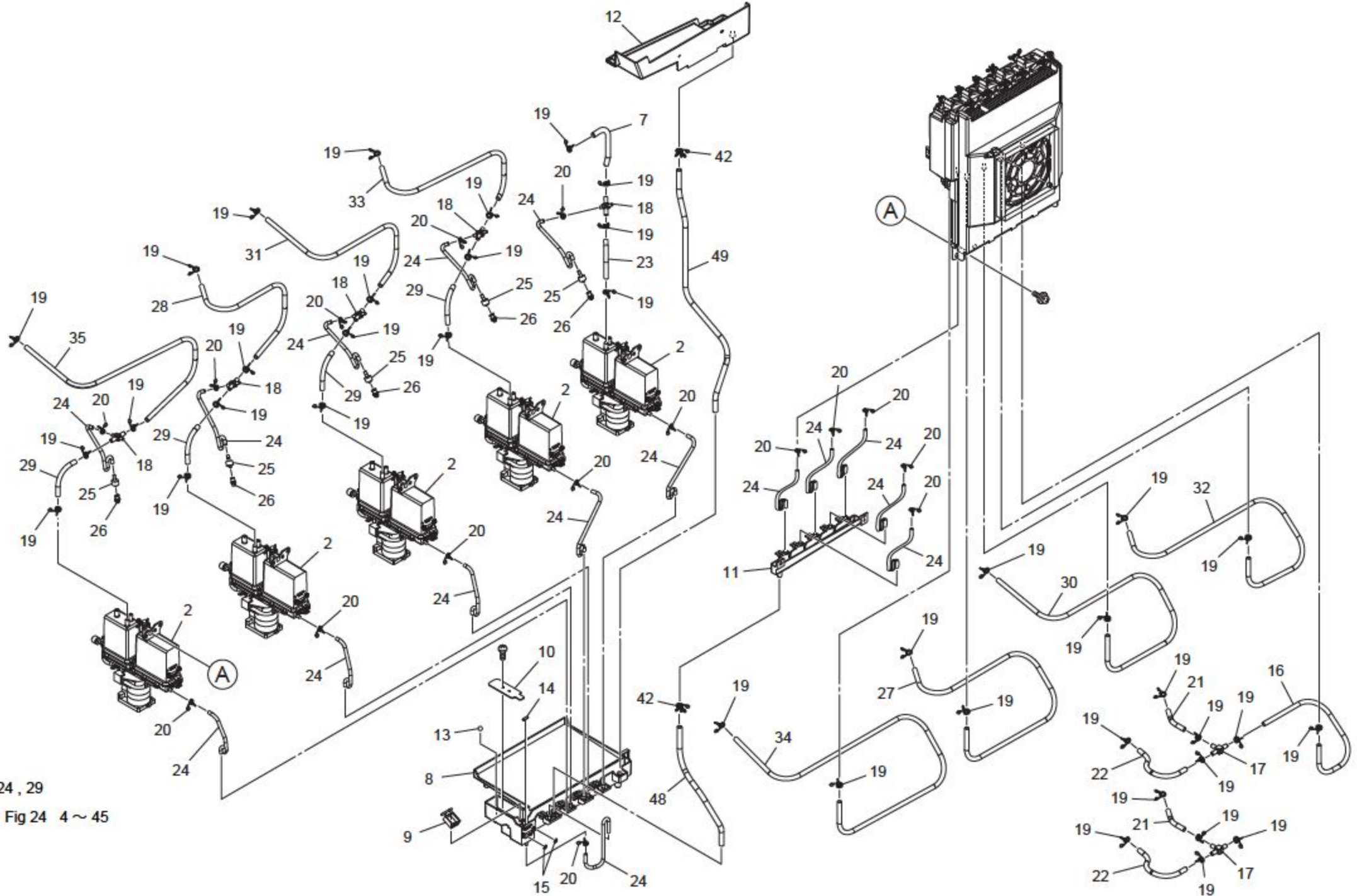
- 40 { 1, 2, 3, 4, 5, 6, 31
- 41 { 1, 2, 3, 4, 5, 6, 16
- 42 { 1, 2, 3, 4, 5, 6, 18
- 43 { 1, 2, 3, 4, 5, 6, 20
- 44 { 1, 2, 3, 4, 5, 6, 22

Fig.22 Ink Cartridge Holder (2)

No.	Part No.	Description	Q'ty	Remark
1	050-84880-002	CA JOINT	5	
2	050-83188-008	BASE CAP; CA	5	
3	050-85402-007	JOINT RING; CA	5	
4	060-68005-009	INK BLOCK; CA	5	
5	050-85407-009	INK SPRING; CA	5	
6	050-79631-002	JOINT_SPRING	5	
7	061-68005-006	CA PAN	1	
8	061-68144-006	BASE PLATE R; CA PAN	1	
9	061-68145-002	BASE PLATE F; CA PAN	1	
10	444-30008-100	SENSOR; LG-248NL1	5	
11	060-68004-002	SENSOR PLATE; INK CARTRIDGE	5	
12	050-75140-306	RFID PCB UNIT	5	
13	061-68012-002	BRACKET; INK SUPPLY VALVE	1	
14	050-85300-000	BRACKET; WR SOLENOID	1	
15	451-20006-308	SOLENOID WR2	5	
16	061-68159-003	INK SUPPLY TUBE C; U	1	
17	061-68160-001	INK SUPPLY TUBE C; M	1	
18	061-68162-004	INK SUPPLY TUBE M; U	1	
19	061-68157-000	INK SUPPLY TUBE KM; M	2	
20	061-68164-007	INK SUPPLY TUBE Y; U	1	
21	061-68165-003	INK SUPPLY TUBE YG; M	2	
22	061-68167-006	INK SUPPLY TUBE G; U	1	
23	061-68148-001	STAY; INK SUPPLY VALVE	2	
24	061-68024-000	JOINT; 5P	1	
25	050-85432-003	T_CLIP_5_SFT	20	
26	061-68158-007	INK SUPPLY TUBE K; L	1	
27	061-68161-008	INK SUPPLY TUBE C; L	1	
28	061-68163-000	INK SUPPLY TUBE M; L	1	
29	061-68166-000	INK SUPPLY TUBE Y; L	1	
30	061-68169-009	INK SUPPLY TUBE G; L	1	

No.	Part No.	Description	Q'ty	Remark
31	061-68156-004	INK SUPPLY TUBE K; U	1	
32	050-85090-005	T_CLIP_5	1	
33	061-53017-105	WIRE HARNESS; CA SNR RFID RLY	1	
34	061-53018-209	WIRE HARNESS; CARTRIDGE ACTU RLY	1	
35	061-75134-105	INK SUPPLY VALVE K ASSY	1	
36	061-75135-101	INK SUPPLY VALVE C ASSY	1	
37	061-75136-108	INK SUPPLY VALVE M ASSY	1	
38	061-75137-104	INK SUPPLY VALVE Y ASSY	1	
39	061-75138-100	INK SUPPLY VALVE G ASSY	1	
40	061-75259-005	INK CARTRIDGE JOINT ASSY_K; SU	1	
41	061-75260-003	INK CARTRIDGE JOINT ASSY_C; SU	1	
42	061-75261-000	INK CARTRIDGE JOINT ASSY_M; SU	1	
43	061-75262-006	INK CARTRIDGE JOINT ASSY_Y; SU	1	
44	061-75263-002	INK CARTRIDGE JOINT ASSY_G; SU	1	

Fig23. Ink Flow Unit Tower (1)



1 { 2, 23, 24, 29
3 { Fig 23, Fig 24 4 ~ 45

Fig.23 Ink Flow Unit Tower (1)

No.	Part No.	Description	Q'ty	Remark
1	061-75158-403	PRE & NEG-PRESSURE TANK ASSY II	5	
3	068-75015-000	INK TOWER UNIT-GI ; SU	1	
7	061-68175-106	INK TUBE DOWNSTREAM_K; 5C	1	
8	061-68088-009	OF PAN; 5C	1	
9	060-68036-109	FLOATER	1	
10	060-68056-002	COVER; OF BALL	1	
11	061-68101-005	DRAIN PAN; 5C	1	
12	061-68102-001	TRAY; INK VALVE	1	
13	050-86081-000	OF BALL	1	
14	050-86240-000	MAGNET 2	1	
15	651-00025-005	P NUT	2	
16	061-68174-002	INK TUBE UPPERSTREAM_K; 5C	1	
17	061-68219-006	TUBE JOINT S; INK	2	
18	060-68115-009	TUBE JOINT; INK	5	
19	050-85432-003	T_CLIP_5_SFT	38	
20	050-85089-007	T_CLIP_3	16	
21	061-68212-001	INK TUBE_K1; 5C	2	
22	061-68213-008	INK TUBE_K2; 5C	2	
23	061-68185-004	INK TUBE DOWNSTREAM_K TANK; 5C	1	
24	060-68109-009	TUBE; F5/F3;150	16	
25	060-68143-100	FITTING; MALE	5	
26	060-68144-106	PLUG; FEMALE	5	
27	061-68176-005	INK TUBE UPPERSTREAM_C; 5C	1	
28	061-68177-001	INK TUBE DOWNSTREAM_C; 5C	1	
29	060-68118-008	HEAD LOWER TUBE_K; TANK	4	
30	061-68178-008	INK TUBE UPPERSTREAM_M; 5C	1	

No.	Part No.	Description	Q'ty	Remark
31	061-68179-004	INK TUBE DOWNSTREAM_M; 5C	1	
32	061-68180-002	INK TUBE UPPERSTREAM_Y; 5C	1	
33	061-68181-009	INK TUBE DOWNSTREAM_Y; 5C	1	
34	061-68182-005	INK TUBE UPPERSTREAM_G; 5C	1	
35	061-68183-001	INK TUBE DOWNSTREAM_G; 5C	1	
42	050-85090-005	T_CLIP_5	2	
48	060-68108-002	TUBE; F8/F5;255	1	
49	061-68170-007	TUBE; F8/F5;460	1	

Fig24. Ink Flow Unit Tower (2)

26 { 28 , 30 , 31 , 34
 27 { 28 ~ 30 , 40
 46 { Fig 23 , Fig 24 4 ~ 45

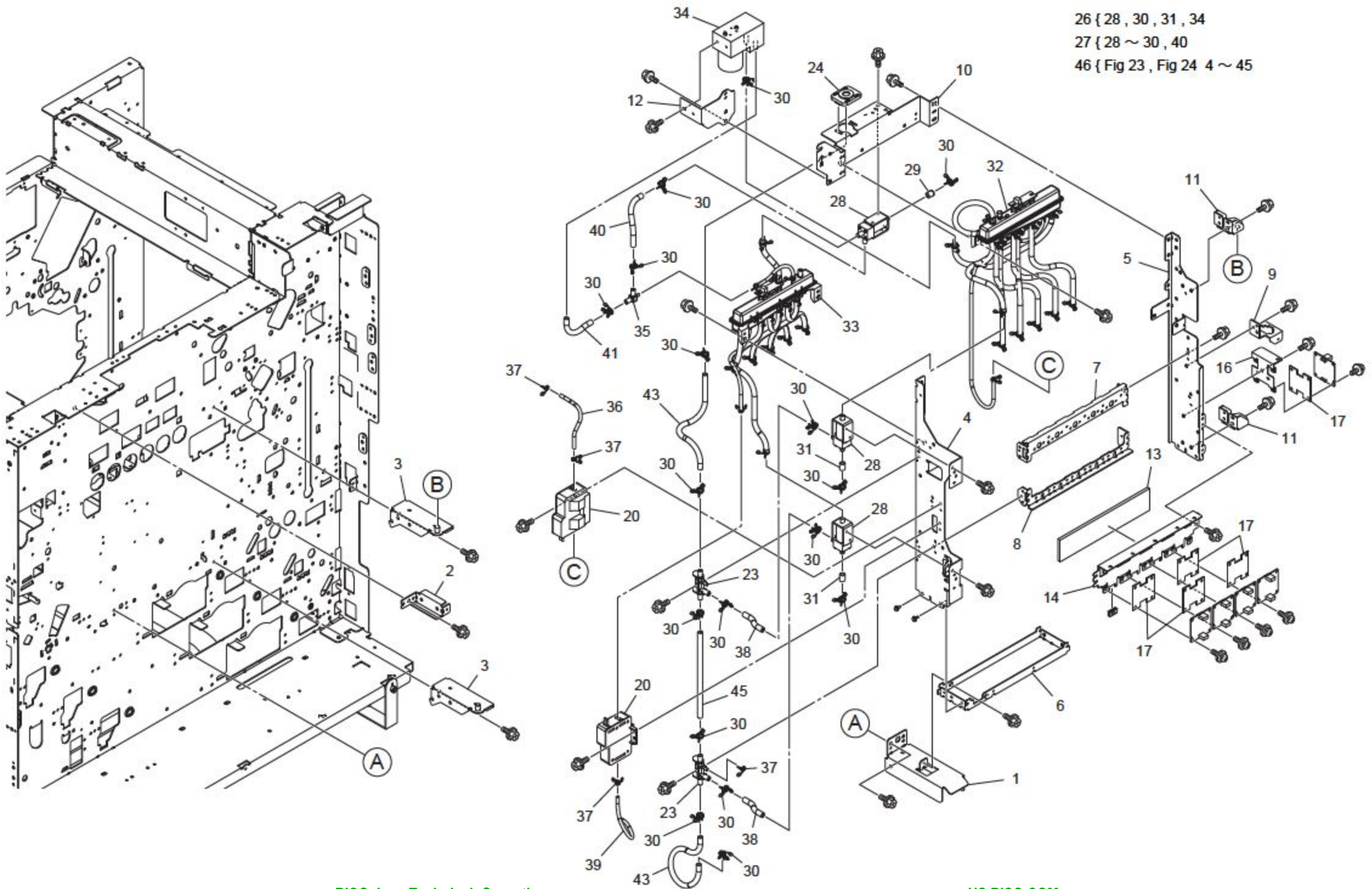


Fig.24 Ink Flow Unit Tower (2)

No.	Part No.	Description	Q'ty	Remark
1	061-68098-004	INK TOWER BRACKET LL; 5C	1	
2	061-68052-004	INK TOWER BRACKET LU; 5C	1	
3	061-68192-108	INK TOWER BRACKET R; 5C	2	
4	061-68150-006	INK TOWER FRAME R; 5C	1	
5	061-68149-105	INK TOWER FRAME L; 5C	1	
6	061-68035-002	INK TOWER FRAME B; 5C	1	
7	061-68036-106	TANK STAY U; 5C	1	
8	061-68037-005	TANK STAY L; 5C	1	
9	060-68031-000	BRACKET; HEATER WIRE HARNESS	1	
10	061-68151-002	INK TOWER FRAME T; 5C	1	
11	061-68039-008	INK TOWER FULCRUM PLATE; 5C	2	
12	061-68154-001	BRACKET; AIR PUMP	1	
13	061-68155-008	SOUND ABSORBING SHEET; INK PUMP	1	
14	061-68221-000	BRACKET; INK PUMP PCB; 4C	1	
16	061-68222-007	BRACKET; INK PUMP PCB; 1C	1	
17	061-68226-100	PROTECTION SHEET; INK PUMP PCB	5	
20	060-75410-008	PRESSURE REGULATOR VALVE ASSY	2	
23	060-68081-007	AIR RELEASE JOINT	2	
24	061-75130-002	AIR FILTER ASSY	1	
26	061-75131-106	AIR VALVE ASSY	2	
27	061-75133-109	FLOW CONTROL VALVE ASSY	1	
28	451-20008-300	SOLENOID_SR3	3	
29	050-79991-009	SOLENOID CAP F	1	
30	050-85090-005	T_CLIP_5	17	

No.	Part No.	Description	Q'ty	Remark
31	050-87010-106	HSL_CAP_VE	2	
32	061-75139-107	COMMON AIR CHAMBER ASSY; P	1	
33	061-75140-008	COMMON AIR CHAMBER ASSY; NP	1	
34	061-75132-005	AIR PUMP ASSY	1	
35	060-68089-008	TUBE JOINT; AIR	1	
36	060-68103-000	TUBE; F5/F3;190	1	
37	050-85089-007	T_CLIP_3	4	
38	061-68214-004	TUBE; F8/F5; 55	2	
39	061-68216-007	TUBE; F5/F3; 80	1	
40	050-86073-007	TUBE; KSL_OF	1	
41	061-68223-003	TUBE; F8/F5; 80	1	
43	050-84960-006	TUBE; KOF_SOL	2	
45	060-68107-006	TUBE; F8/F5;180	1	
46	068-75015-000	INK TOWER UNIT-GI ; SU	1	

Fig25. Print Head Area

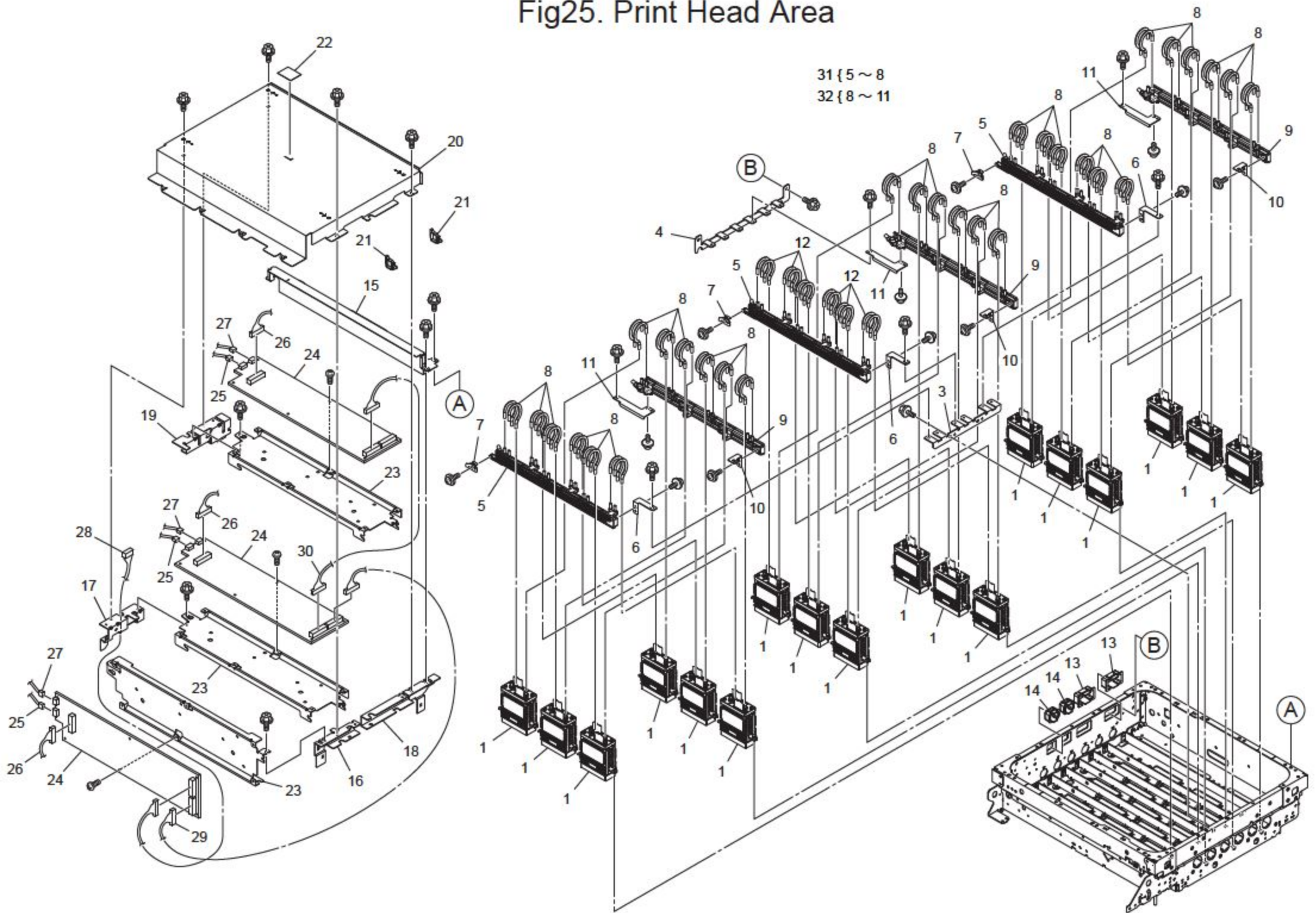


Fig.25 Print Head Area

No.	Part No.	Description	Q'ty	Remark
1	060-75103-008	HEAD; SU	18	
3	061-17046-000	BUS BRACKET; F	1	
4	061-17047-006	BUS BRACKET; R	1	
5	060-75558-005	INK BUS_L ; SU	3	
6	061-17048-002	INK BUS BRACKET A; F	3	
7	061-17049-009	INK BUS BRACKET A; R	3	
9	060-75559-109	INK BUS_R; SU	3	
10	061-17050-007	INK BUS BRACKET B; F	3	
11	061-17051-003	INK BUS BRACKET B; R	3	
13	061-17052-000	TUBE GUARD L	2	
14	050-79669-000	TUBE_GUARD	2	
15	061-17043-000	HH COVER; S	1	
16	061-17042-101	STAY LF; HDR	1	
17	061-17040-109	STAY LR; HDR	1	
18	061-17065-004	STAY RF; HDR	1	
19	061-17066-000	STAY RR; HDR	1	
20	061-17062-102	HH COVER; L	1	
21	451-60046-000	WIRE SADDLE; LWS-1316A	2	
22	023-21393-007	LIGHT ABSORBER STRIP(35X28)	1	
23	061-17044-104	BRACKET; HDR PCB	3	
24	067-50006-106	PCB;X5-HDR;A3	3	
25	061-53027-208	WIRE HARNESS; SECONDARY POWER	1	
26	061-53004-003	WIRE HARNESS; IP-HDR	1	
27	060-53081-000	LAN CABLE	3	
28	061-53046-105	WIRE HARNESS; HDR-ENGINE	1	
29	061-53065-002	WIRE HARNESS 2; HDR	1	
30	061-53029-103	WIRE HARNESS; HDR	1	

No.	Part No.	Description	Q'ty	Remark
31	061-75143-201	INK BUS; L	3	
32	061-75144-305	INK BUS; R	3	

Fig26. KG Roller Area

10 { 5 ~ 7
11 { 4 ~ 6

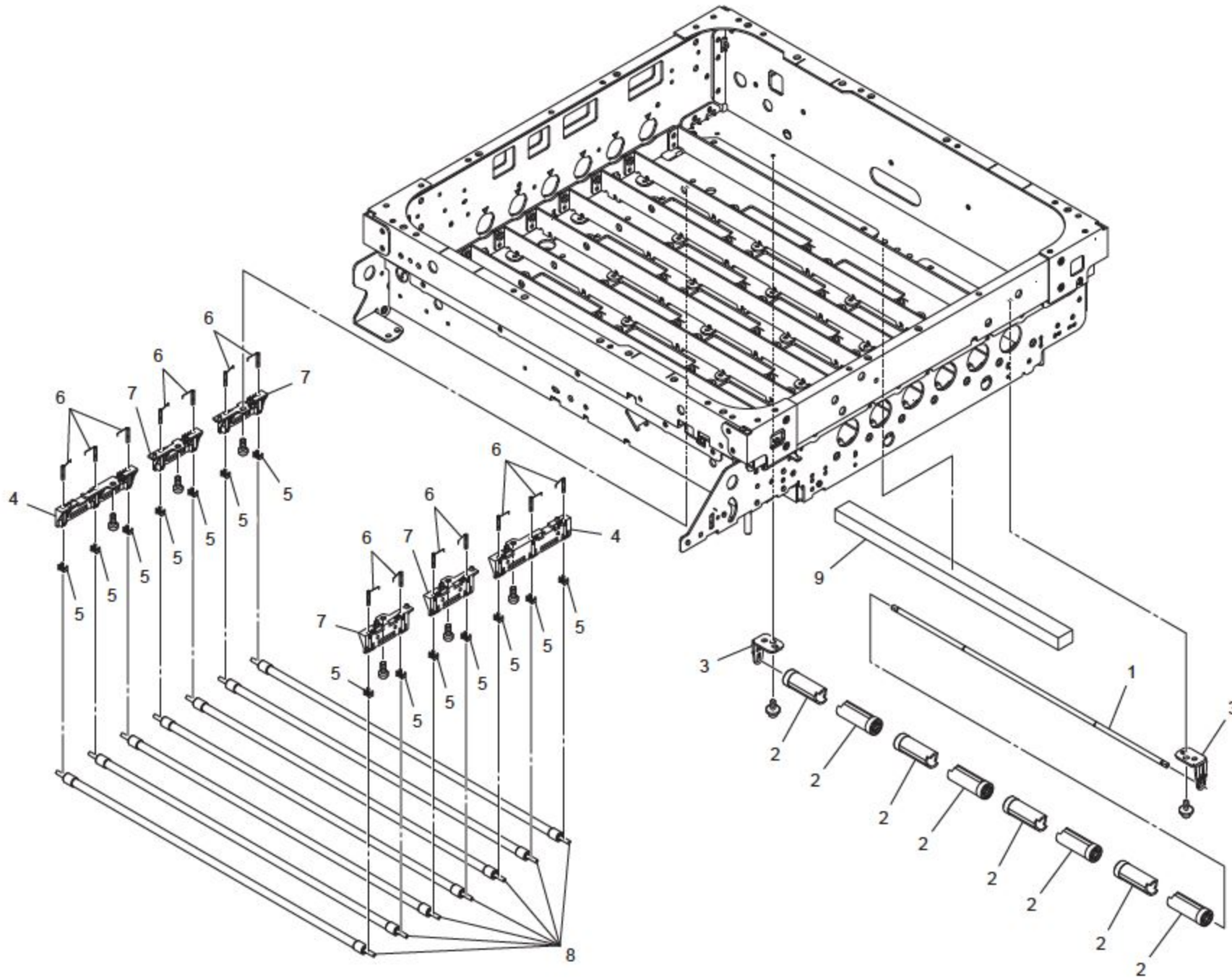


Fig27. Head Cooling Fan

26 { 5 ~ 7
27 { 5, 6, 12

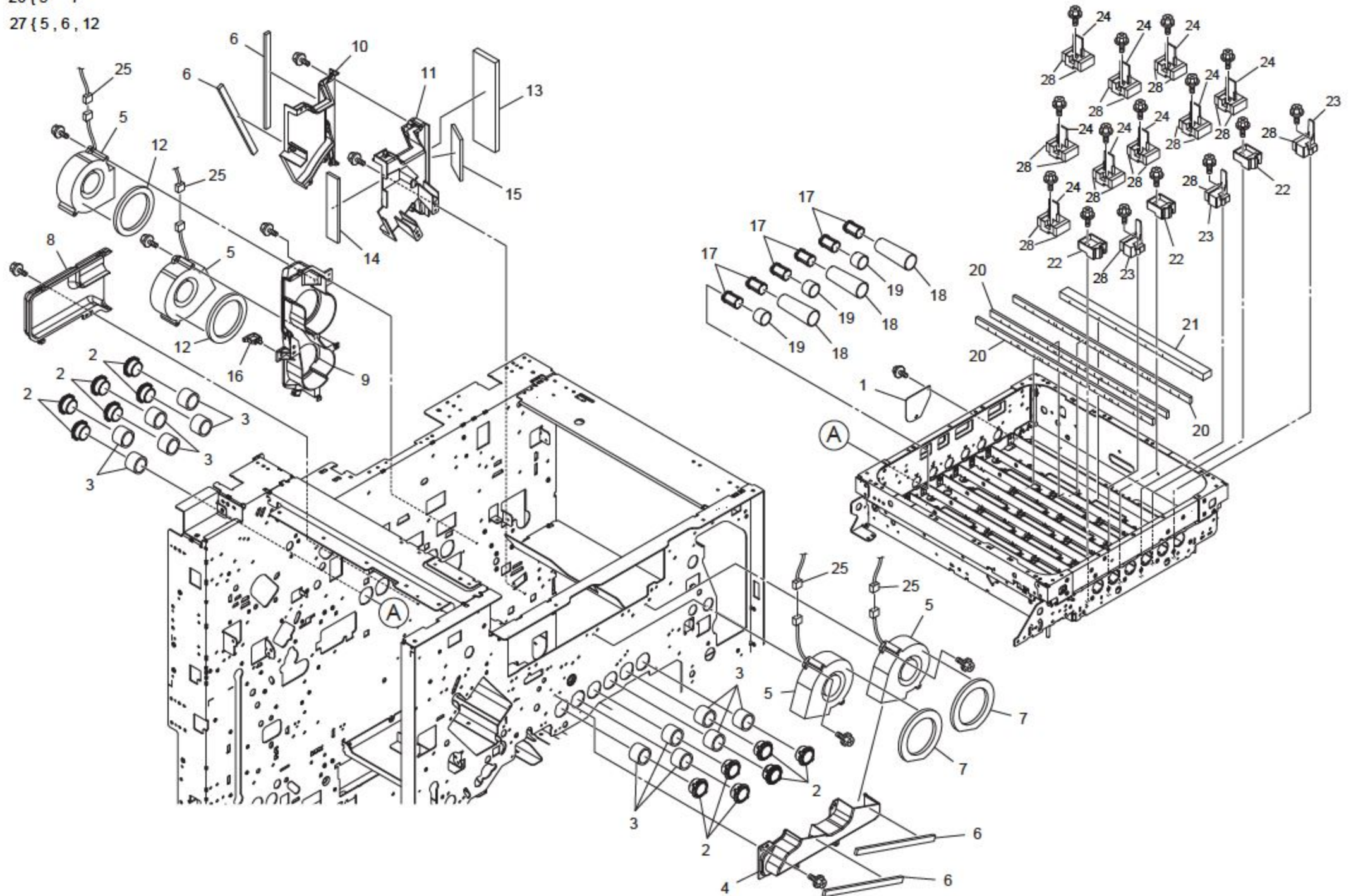
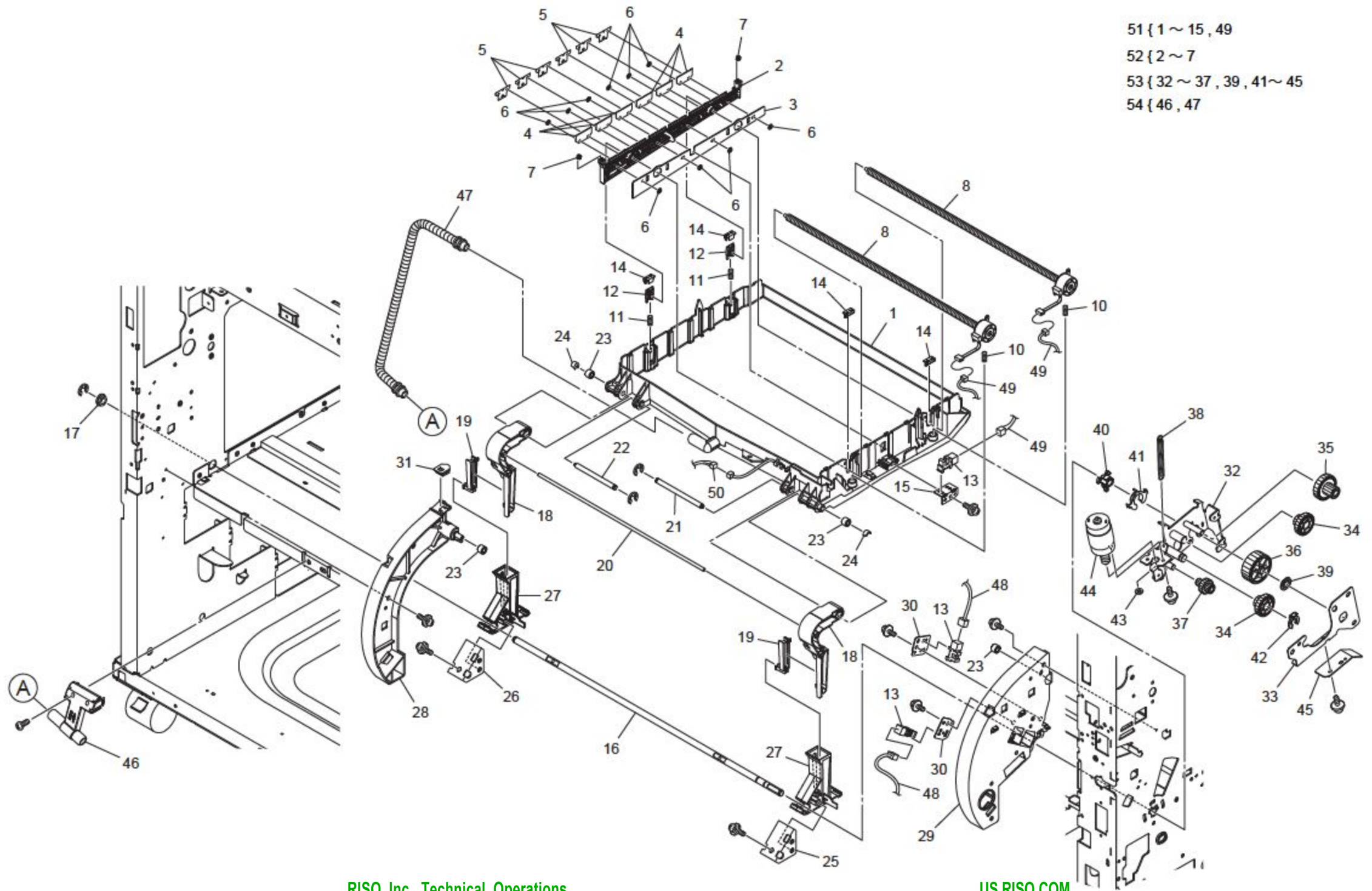


Fig.27 Head Cooling fan

No.	Part No.	Description	Q'ty	Remark
1	052-10134-001	BLIND PLATE; R	1	
2	050-85376-006	COOLING NOZZLE	12	
3	050-84910-009	AD FORM	12	
4	061-17023-000	COOLING CHAMBER; F	1	
5	451-20017-105	FAN; E1033L24BEYP-30	4	
6	050-86190-003	ED FOAM E	4	
7	061-17083-002	FAN FOAM	2	
8	061-17024-006	COOLING CHAMBER; R1	1	
9	061-17027-005	COOLING CHAMBER; R2	1	
10	061-17080-003	EXHAUST DUCT; F	1	
11	061-17025-100	EXHAUST DUCT; R	1	
12	050-84371-000	VF FORM KV	2	
13	061-17094-004	SPONGE; REAR DUCT3	1	
14	061-17090-009	SPONGE; EXHAUST DUCT	1	
15	050-86188-009	ED FOAM C	1	
16	451-60046-000	WIRE SADDLE; LWS-1316A	1	
17	061-17071-004	REAR DUCT BASE	6	
18	060-17031-005	REAR DUCT; L	3	
19	060-17032-001	REAR DUCT; S	3	
20	061-17056-005	STAY FOAM	3	
21	061-17057-001	STAY FORM; R	1	
22	061-17054-002	HEAD COVER; LF	3	
23	061-17055-106	HEAD COVER; F	3	
24	060-17096-000	HEAD COVER; M	9	
25	061-53016-001	WIRE HARNESS; HEAD COOL FAN RLY	2	
26	061-75149-005	COOLING FAN ASSY; F	1	
27	061-75150-003	COOLING FAN ASSY; R	1	
28	060-17093-000	SPONGE; HEAD COVER	21	

No.	Part No.	Description	Q'ty	Remark

Fig28. Maintenance Unit



- 51 { 1 ~ 15 , 49
- 52 { 2 ~ 7
- 53 { 32 ~ 37 , 39 , 41 ~ 45
- 54 { 46 , 47

Fig.28 Maintenance Unit

No.	Part No.	Description	Q'ty	Remark
1	061-69001-209	INK PAN	1	
2	061-69002-000	WIPER BASE	1	
3	061-69003-007	WIPER PLATE	1	
4	060-69060-305	WIPER BLADE	6	
5	050-85741-006	WIPER HOLDER	6	
6	651-00025-005	P NUT	10	
7	050-84906-001	WIPER ROLLER	2	
8	061-75152-103	WIPER MOTOR ASSY	2	
10	050-84918-000	WIPER SPRING RR	2	
11	050-84932-002	WIPER SPRING FR	2	
12	050-84899-005	WIPE BEARING	2	
13	444-30008-100	SENSOR; LG-248NL1	3	
14	061-69004-003	KG LIFTER	4	
15	060-69057-002	BRACKET; WIPER HP SENSOR	1	
16	061-69006-006	ARM SHAFT	1	
17	651-00018-009	METALF8X13/12X5;16X2	1	
18	061-69010-003	MAINTENANCE SLIDER	2	
19	060-69090-000	GUIDE; MAINTENANCE ARM	2	
20	061-69029-006	ARM GUIDE SHAFT	1	
21	050-84881-106	PIN R; HINGE	1	
22	061-69028-000	PIN F; HINGE	1	
23	050-84616-003	P-Roll-Ring	4	
24	050-79643-000	3ERING	2	
25	052-68008-200	ARM PLATE R	1	
26	052-68006-208	ARM PLATE F	1	
27	061-69011-000	MAINTENANCE ARM	2	
28	061-69008-106	GUIDE PLATE; F	1	
30	061-69009-005	BRACKET; OPEN POS. SENSOR	2	

No.	Part No.	Description	Q'ty	Remark
31	061-69030-004	INK PAN GUIDE	1	
32	060-69131-008	MOTOR BRACKET; MAINTENANCE	1	
33	060-69135-100	BRACKET COVER; MAINTENANCE	1	
34	651-00248-004	GEAR; M0.8X35+M0.8X18	2	
35	651-00247-008	GEAR; M0.8X41+M1X14	1	
36	651-00249-000	GEAR; M1X38	1	
37	612-80011-001	GEAR; M0.8X23+M0.8X14	1	
38	050-79650-007	DRIVE_SPRING	1	
39	023-12244-104	ELEVATOR MOTOR COLLAR	1	
40	050-79647-006	ARM_BEARING	1	
41	050-79651-003	DRIVE_BEARING	1	
42	019-11812-106	LOCK RING	1	
43	030-19205-001	SUPPORT; CLAMP WORM	1	
44	061-75156-001	INK PAN DRIVE MOTOR	1	
45	061-69026-007	GEAR COVER	1	
46	050-85328-001	BRACKET; EXIT HOSE	1	
47	050-85326-009	Exit Hose; Inkpan	1	
48	061-53040-000	WIRE HARNESS; MAINT SENSOR RLY	1	
49	061-53039-206	WIRE HARNESS; WIPER	1	
50	061-53038-005	WIRE HARNESS; WIPER RELAY	1	
51	061-75115-208	MAINTENANCE UNIT-GD; SU	1	
52	061-75151-000	WIPE ASSY-GD; SU	1	
53	061-75155-005	MAINTENANCE DRIVE ASSY-GD; SU	1	
54	061-75141-004	EXIT HOSE ASSY; INKPAN	1	

Fig29. Waste Ink Tank

25 { 1, 2
26 { 3, 4, 12, 13, 17

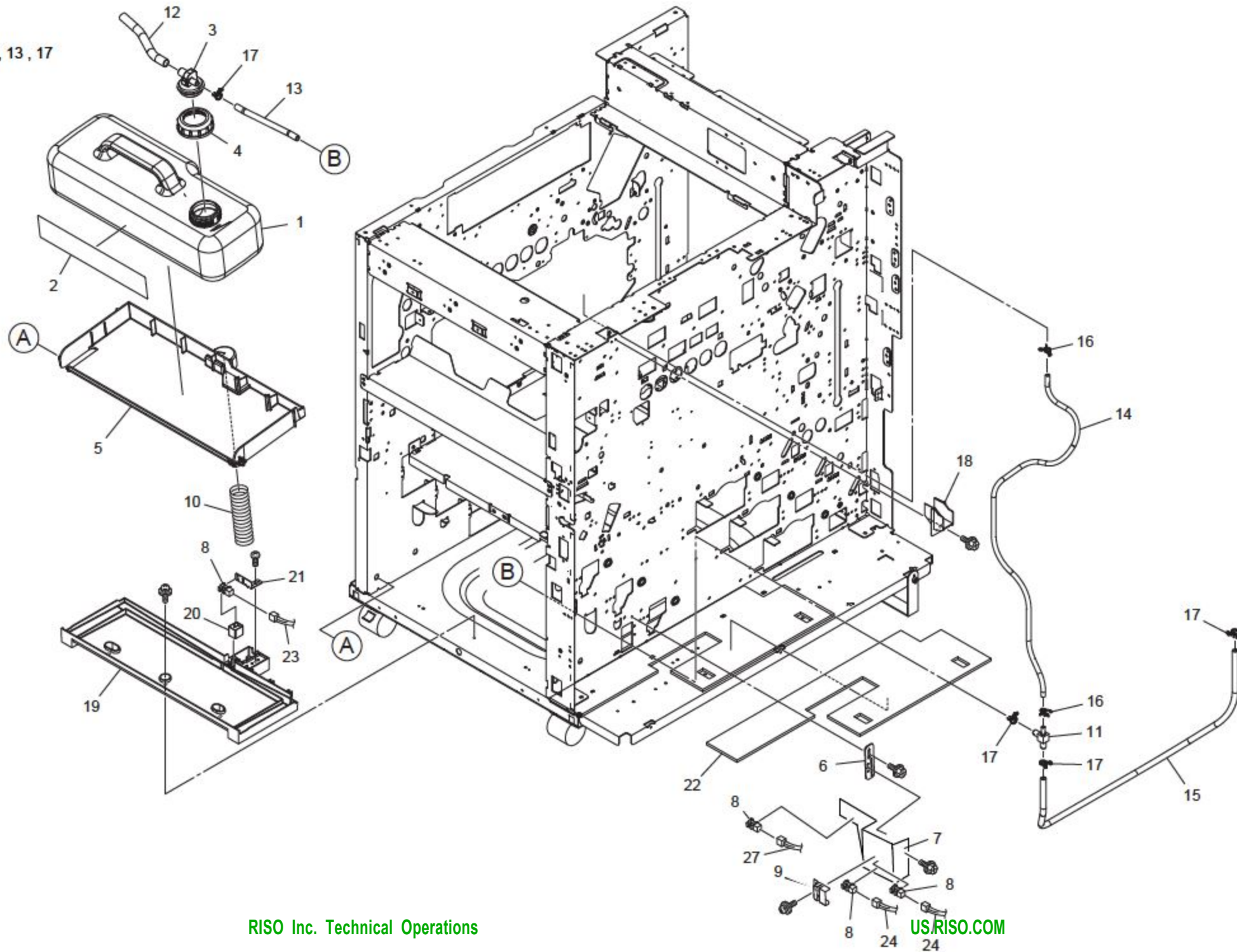


Fig.29 waste Ink Tank

No.	Part No.	Description	Q'ty	Remark
1	061-75116-000	WST TANK ASSY-GD; SU	1	
2	060-69136-107	LABEL; WST TANK	1	
3	050-84868-002	CAP IN; WST TANK	1	
4	050-84869-106	CAP; WST TANK	1	
5	061-69012-103	WST TANK HOLDER	1	
8	444-30008-100	SENSOR; LG-248NL1	3	
9	052-68039-009	SENSOR COVER PLATE; WST TANK	1	
11	050-85301-006	TRI JOINT	1	
12	061-69021-005	WST TUBE; MAINTENANCE	1	
13	061-69023-008	WST TUBE; JOINT	1	
15	061-69022-001	WST TUBE; INK TOWER	1	
16	050-85090-005	T_CLIP_5	2	
17	050-85091-001	T CLIP 7	4	
18	061-69027-003	TUBE GUIDE; WST	1	
19	061-69014-009	TRAY; WST TANK	1	
20	060-69070-009	FLOAT; WST TANK	1	
21	060-69069-000	BRACKET; LEAK DET SENSOR	1	
22	061-69025-000	INK ABSORPTIVE SHHET; RR	1	
23	061-53049-007	WIRE HARNESS; INK LEAK DETECTION	1	
24	068-53003-008	WIRE;TANK BEFORE NEAR FULL SNR RLY	1	
25	061-75116-000	WST TANK ASSY-GD; SU	1	
26	061-75142-000	WST CAP SET	1	

No.	Part No.	Description	Q'ty	Remark

Fig30. Electrical Components Area (1)

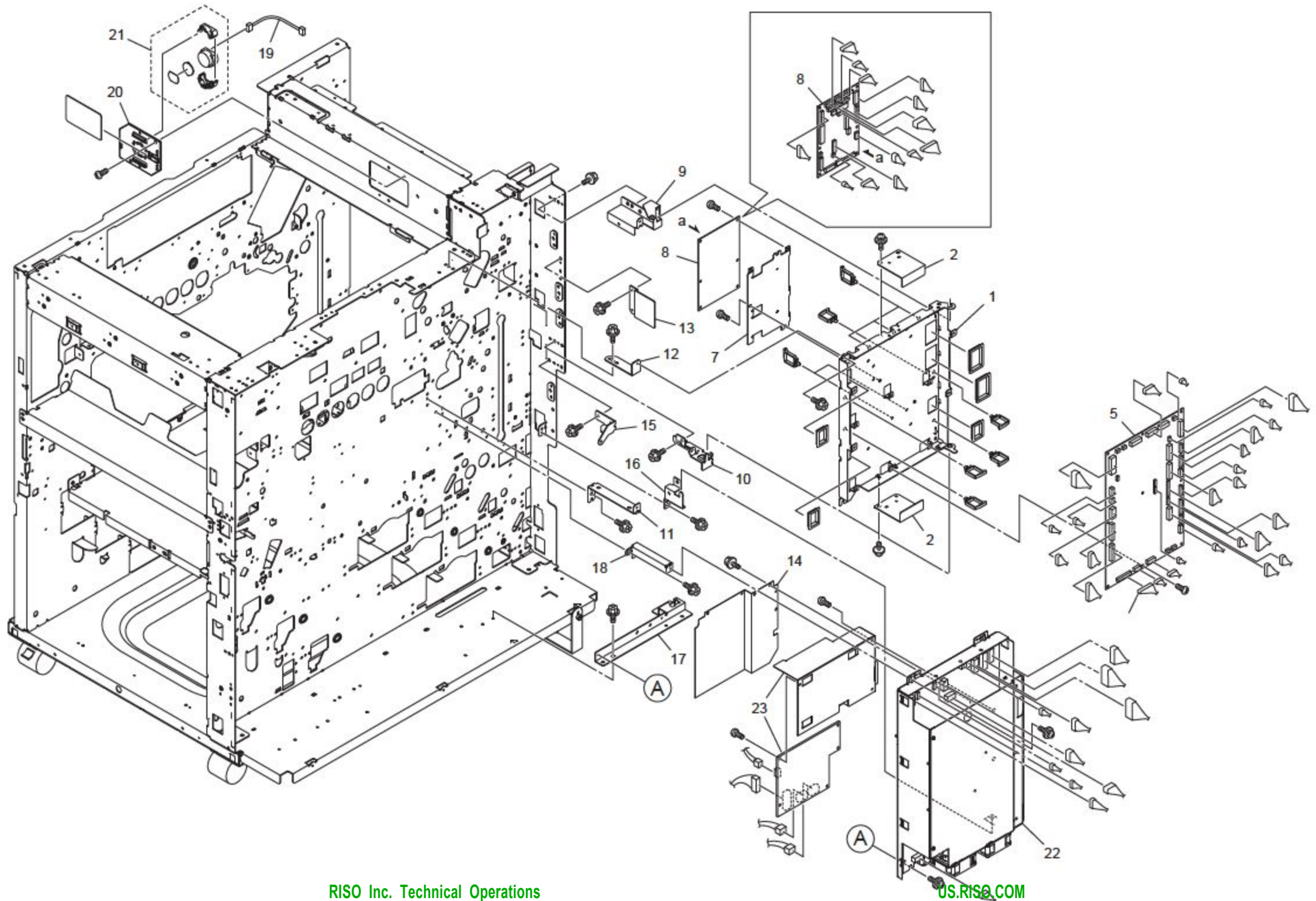


Fig.30 Electrical Components Area

No.	Part No.	Description	Q'ty	Remark
1	060-50044-007	BRACKET; ENGINE PCB	1	
2	061-50036-001	GASKET BRACKET; ENGINE	2	
5	067-75383-001	PCB;X5-ENGINE;H	1	
7	061-50007-001	BRACKET; BODY-RELAY PCB	1	
8	067-50009-008	PCB;X5-BODY	1	
9	061-50010-002	HINGE U; ENGINE	1	
10	061-50011-009	HINGE L; ENGINE	1	
11	061-50012-005	BRACKET L; ENGINE	1	
12	061-50015-004	BRACKET U; ENGINE	1	
13	061-50026-006	GASKET BRACKET V; ENGINE	1	
14	060-50100-004	INSULATION SHEET	1	
15	061-50019-000	BRACKET U; POWER SUPPLY	1	
16	060-50027-005	HINGE U; POWER SUPPLY	1	
17	060-50028-001	HINGE L; POWER SUPPLY	1	
18	060-50029-008	BRACKET U; POWER SUPPLY	1	
19	061-53023-008	WIRE HARNESS; MACHINE CODE RFID	1	
20	060-50047-006	CARD CASE	1	
21	050-75140-306	RFID PCB UNIT	1	
22	068-50007-207	PSU;PS33-NWW	1	
23	068-50008-009	ASSY;HTR-CTR-UNIT	1	

No.	Part No.	Description	Q'ty	Remark

Fig31. Electrical Components Area (2)

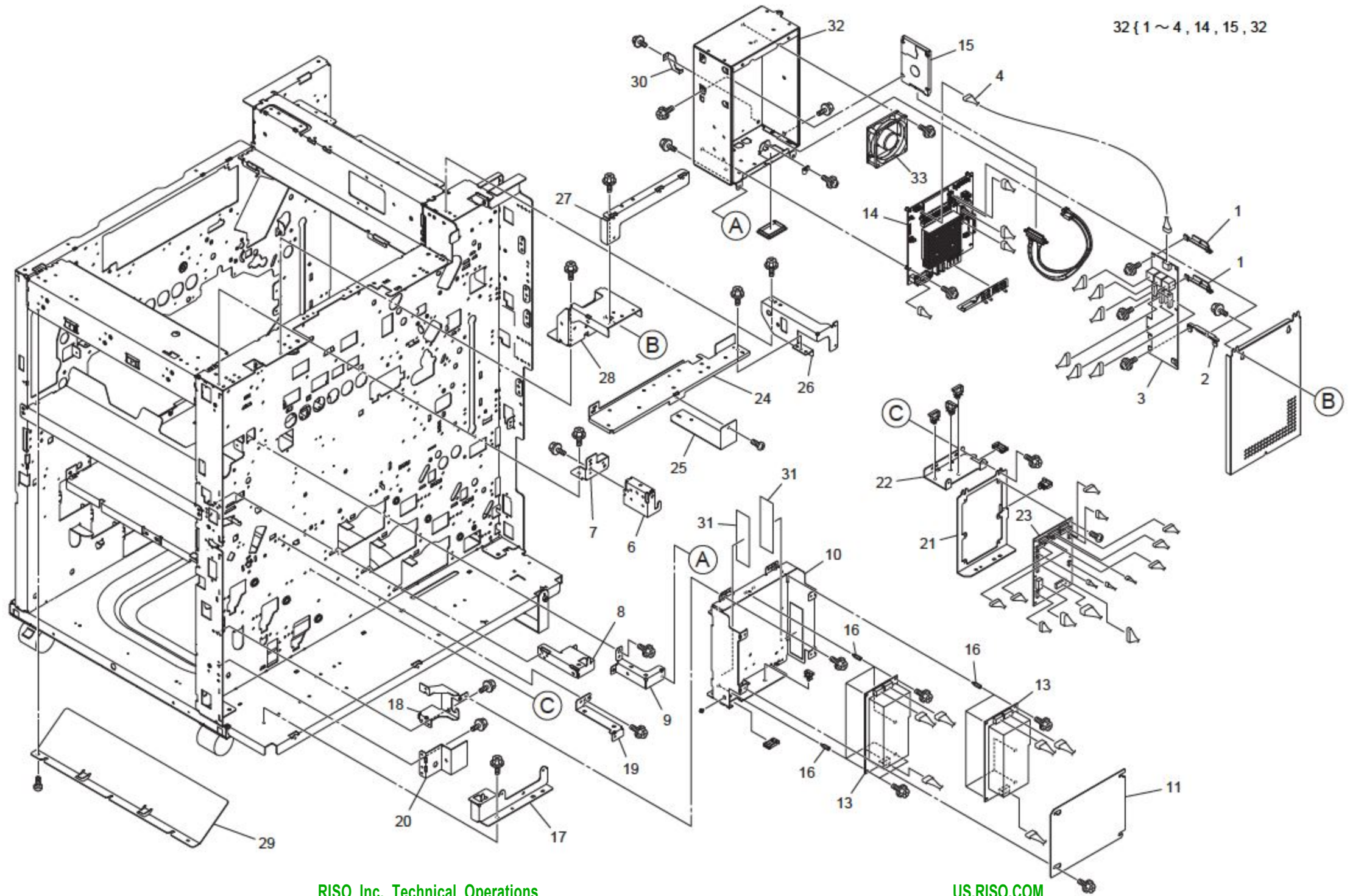
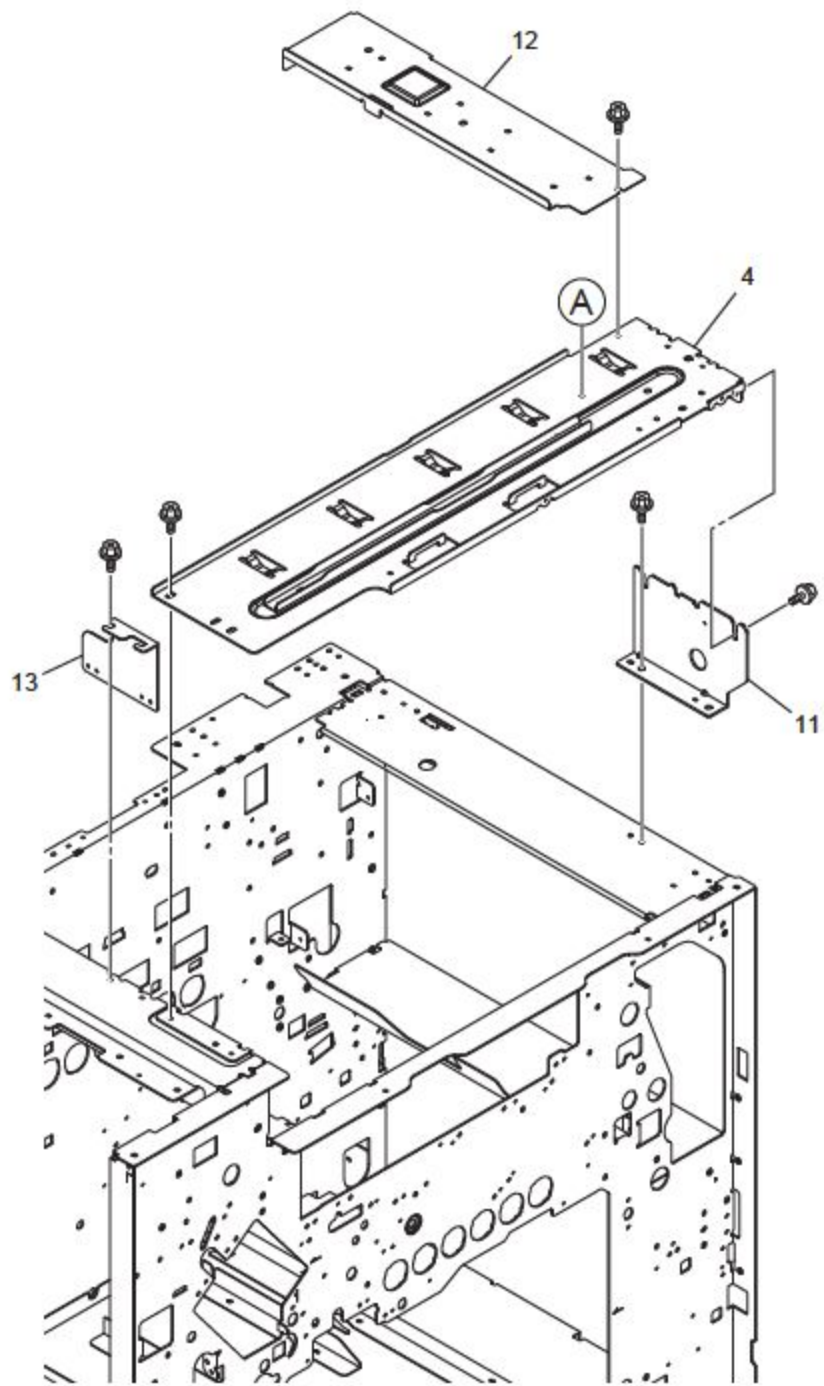


Fig.31 Electrical Components Area (2)

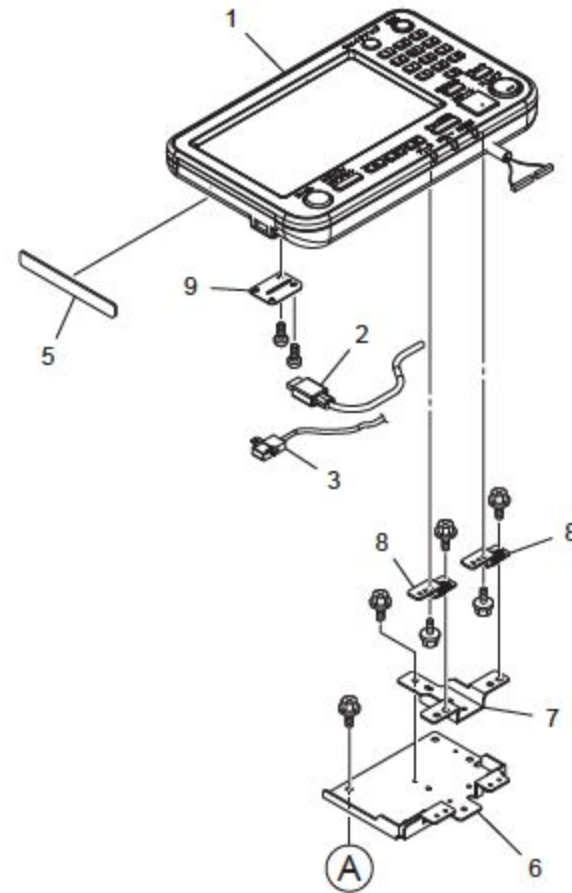
No.	Part No.	Description	Q'ty	Remark
1	060-50048-002	BRACKET U; IP PCB	2	
2	060-50049-009	BRACKET L; IP PCB	1	
3	060-50043-604	IP PCB; MH	1	
4	060-53077-100	WIRE HARNESS; CONTROLLER-IP PCB	1	
6	061-50013-001	HINGE U; PMS	1	
7	061-50025-107	HINGE BRACKET U; PMS	1	
8	061-50014-008	HINGE L; PMS	1	
9	061-50028-009	BRACKET L; PMS	1	
10	061-50006-102	BRACKET; SUB-POWER SUPPLY	1	
11	061-50029-005	COVER; SUB-POWER SUPPLY	1	
13	451-50005-004	SUB-POWER SUPPLY; SWF240P-24	2	
14	067-75125-002	PMS PCB; FT	1	
15	068-75002-005	MISC;SSD-GL;SU	1	
16	651-00321-003	SPACER; WSB-315SPE	10	
17	061-50016-000	HINGE L; SUB-POWER	1	
18	061-50017-007	HINGE U; SUB-POWER	1	
19	061-50018-003	BRACKET U; SUB-POWER SUPPLY	1	
20	061-50027-100	GASKET BRACKET; SUB-POWER SUPPLY	1	
21	061-50008-008	BRACKET L; I-PF PCB	1	
22	061-50009-101	BRACKET U; I-PF PCB	1	
23	067-50010-006	PCB;X5-I-PF	1	
24	061-50023-007	BRACKET; WIRE HARNESS	1	
25	061-50034-009	GROUND PLATE	1	
26	061-10016-008	BRACKETRR; OUTER COVER	1	
27	061-50022-000	BRACKETRL; OUTER COVER	1	
28	061-50020-008	BRACKET U; PMS	1	
29	061-10027-000	COVER; WIRE HARNESS	1	
30	061-50063-106	STOPPER; PMS	1	

No.	Part No.	Description	Q'ty	Remark
31	061-50053-003	INSULATION SHEET; SUB-POWER	2	
32	068-75016-006	CONTROLLER PCB UNIT ; H2	1	

Fig32. Operation Panel Area



RISO Inc. Technical Operations



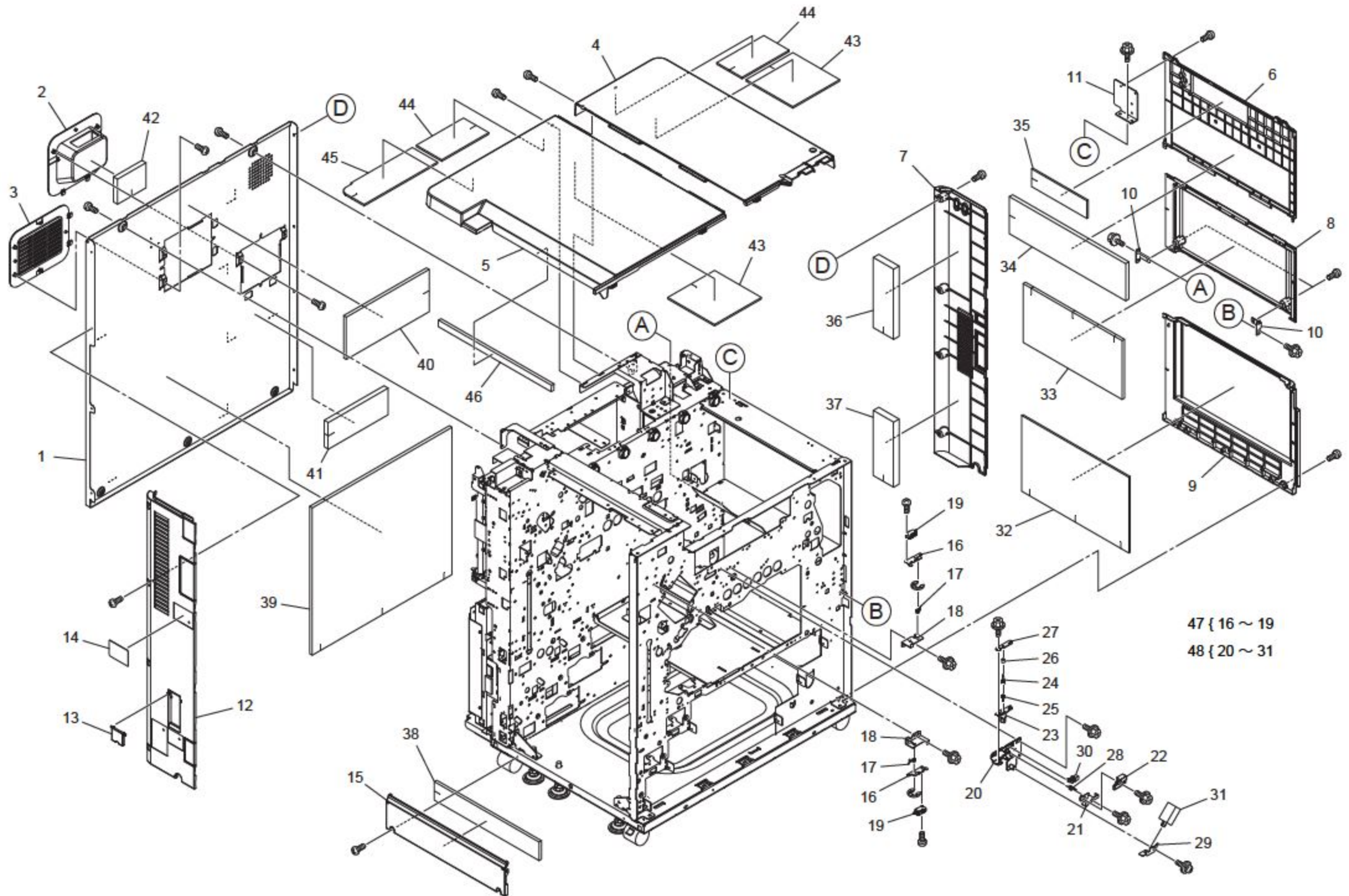
US.RISO.COM

Fig.32 Operation Panel Area

No.	Part No.	Description	Q'ty	Remark
	061-37017-308	PANEL UNIT; H (G)	1	
2	061-53002-108	HDMI; 2.03M	1	
3	061-53001-101	USB CABLE; 1.93M	1	
4	061-37004-001	BASE PLATE; PANEL	1	
5	060-37008-107	LABEL; USB	1	
6	061-37007-000	BRACKET; PANEL	1	
7	061-37005-008	REINFORCE PLATE; PANEL	1	
8	060-37006-104	FREE STOP HINGE	2	
9	060-37007-003	BRACKET; USB	1	
11	061-37003-005	BASE BRACKET; PANEL	1	
12	061-37008-007	BRACKET; PANEL WIRE HARNESS	1	
13	061-37010-001	TEMPORARY BRACKET; PANEL	1	

No.	Part No.	Description	Q'ty	Remark

Fig33. Cover Area (1)



47 { 16 ~ 19
48 { 20 ~ 31

Fig.33 Cover Area (1)

No.	Part No.	Description	Q'ty	Remark
1	061-34025-105	REAR COVER	1	
2	061-34026-306	PMS COVER	1	
3	061-34027-108	COOLING DUCT; INK TOWER	1	
4	061-34057-104	TOP COVER; R	1	
5	061-34058-003	TOP COVER; L	1	
6	061-34029-100	R SIDE COVER; U	1	
7	061-34030-109	R SIDE COVER; REAR	1	
8	061-34031-105	R SIDE COVER; M	1	
9	061-34032-101	R SIDE COVER; L	1	
10	060-34083-000	BRACKET; R SIDE COVER	2	
11	061-34033-000	BRACKET U; R SIDE COVER	1	
12	061-34034-007	L SIDE COVER; REAR	1	
13	060-34085-003	SW COVER; POWER SUPPLY	1	
14	050-12080-109	SEAL; PAPER FEED TRAY	1	
15	061-34035-100	L SIDE COVER; L	1	
16	050-34036-103	SW BRACKET II	2	
17	023-28403-105	SPRING; SAFETY SW/DRUM & MM	2	
18	050-34016-005	BRACKET 1; SAFETY SW	2	
19	058-53011-101	WIRE;MACHINE SET SW	2	
20	061-34065-107	STAY; DOOR LOCK	1	
21	061-34064-003	LOCK BRACKET	1	
22	050-85129-009	LOCK	1	
23	061-34060-008	CAM; DOOR LOCK	1	
24	061-34061-004	ROTOR; DOOR LOCK	1	
25	061-34062-000	NOCK; DOOR LOCK	1	
26	061-34134-001	SPRING; DOOR LOCK CAM	1	
27	061-34169-000	ROTOR GUIDE	1	
28	061-34059-000	SPRING; DOOR LOCK	1	
29	061-34063-007	ARM; SOLENOID	1	
30	444-30008-100	SENSOR; LG-248NL1	1	

No.	Part No.	Description	Q'ty	Remark
31	490-50009-008	SOLENOID; TDS-10AL-38	1	
32	061-34088-000	SOUND ABSORBING; R SIDE COVER L	1	
33	061-34089-006	SOUND ABSORBING; R SIDE COVER M	1	
34	061-34090-004	SOUND ABSORBING; R SIDE COVER U1	1	
35	061-34091-000	SOUND ABSORBING; R SIDE COVER U2	1	
36	061-34092-007	SOUND ABSORBING; R SIDE COVER RA	1	
37	061-34093-003	SOUND ABSORBING; R SIDE COVER RB	1	
38	061-34094-000	SOUND ABSORBING; L SIDE COVER L	1	
39	061-34113-004	SOUND ABSORBING; REAR COVER A	1	
40	061-34114-000	SOUND ABSORBING; REAR COVER B	1	
41	061-34115-007	SOUND ABSORBING; REAR COVER C	1	
42	061-34116-003	SOUND ABSORBING; PMS COVER	1	
43	061-34117-000	SOUND ABSORBING; TOP COVER A	2	
44	061-34118-006	SOUND ABSORBING; TOP COVER B	2	
45	061-34120-000	SOUND ABSORBING; TOP COVER D	1	
46	061-34121-007	SOUND ABSORBING; TOP COVER E	1	
47	060-75441-108	SAFETY SW ASSY; FRONT DOOR	1	
48	061-75157-202	FRONT DOOR LOCK SOLENOID ASSY	1	

Fig34. Cover Area (2)

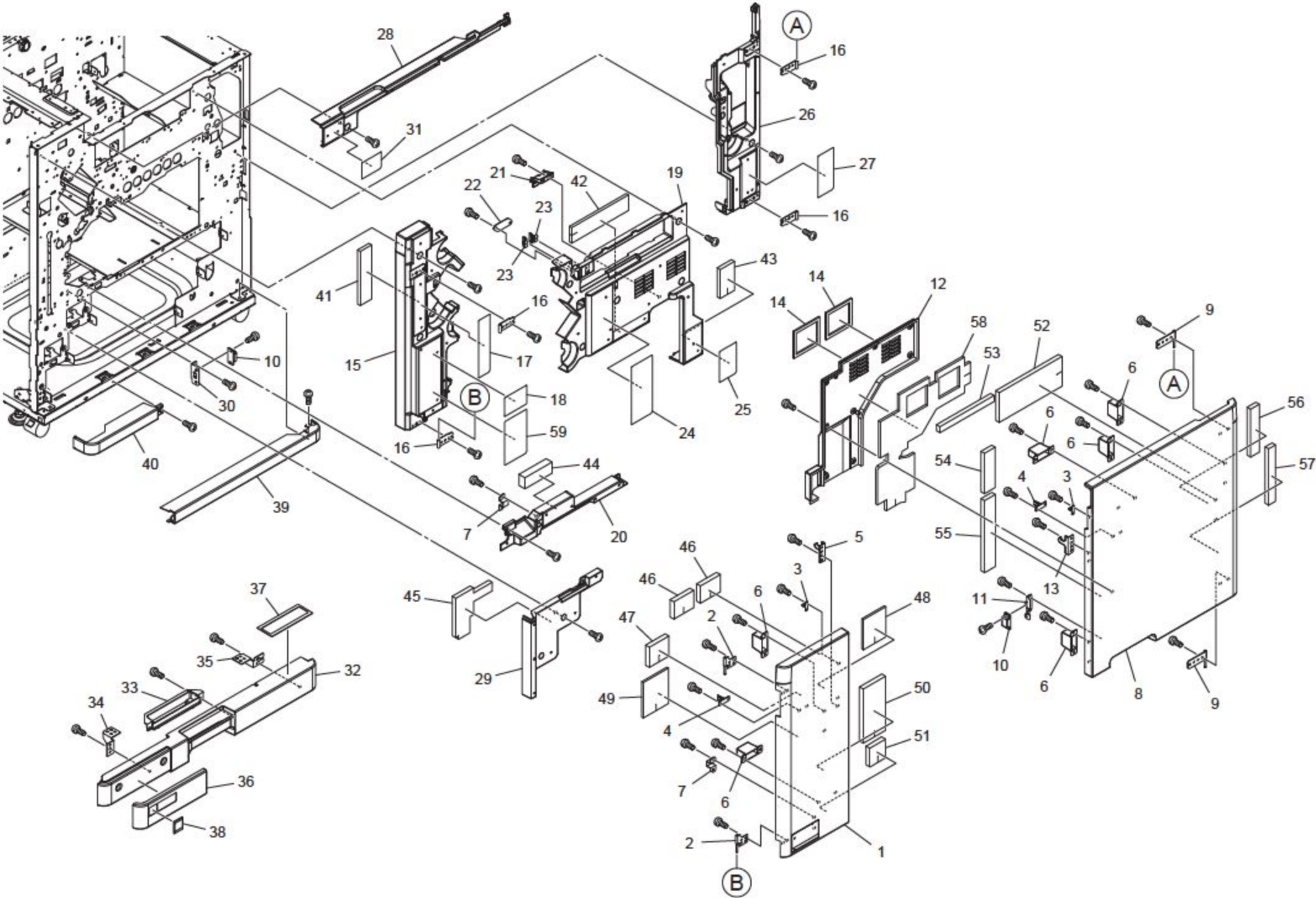


Fig.34 Cover Area (2)

No.	Part No.	Description	Q'ty	Remark
1	068-75019-005	FRONT DOOR L ASSY-GL ; SU	1	
2	061-34002-008	DOOR HINGE; L	2	
3	660-05112-100	CATCH; TL-117	2	
4	024-34040-003	DETECTION PLATE; FRONT DOOR	2	
5	061-34005-007	FRONT DOOR HOOK; L	1	
6	061-34006-100	RELEASE STOPPER; COVER	6	
7	061-34012-003	PLATE; MAGNET CATCH	2	
8	061-34007-204	FRONT COVER; R	1	
9	061-34008-103	DOOR HINGE; R	2	
10	660-00002-004	MAGNET CATCH ; SM50-P	2	
11	060-34057-107	BRACKET; MAGNET CATCH	1	
12	061-34009-207	HEAD COOLING DUCT	1	
13	061-34010-108	FRONT DOOR HOOK; R	1	
14	061-34056-000	AIR SEAL; HEAD COOLING DUCT	2	
15	061-34011-503	INNER COVER; L	1	
16	061-34013-000	DOOR HINGE PLATE; INNER	4	
17	061-34162-005	JAM RELEASE LABEL; SB-B	1	
18	061-34181-000	JAM RELEASE LABEL; BP	1	
19	061-34014-405	INNER COVER; M	1	
20	061-34015-100	INNER COVER; LW	1	
21	061-34016-106	Inner Cover ; Head	1	
22	061-34017-005	FIX PLATE; CATCH	1	
24	061-34159-004	JAM RELEASE LABEL; U-TRANF	1	
25	061-34163-001	JAM RELEASE LABEL; P-ELEVATE IN	1	
26	061-34018-303	INNER COVER; R	1	
27	061-34160-002	JAM RELEASE LABEL; P-ELEVATE	1	
28	061-34019-202	INNER COVER; U	1	
29	061-34020-103	INNER COVER; LL	1	
30	050-79789-005	BRACKET MCATCH	1	

No.	Part No.	Description	Q'ty	Remark
31	061-34161-009	JAM RELEASE LABEL; FD EJECT	1	
32	061-34021-002	TRAY COVER	3	
33	060-34064-103	TRAY HANDLE	3	
34	060-34065-002	BRACKET; TRAY COVER L	3	
35	060-34066-009	BRACKET; TRAY COVER R	3	
36	061-34022-106	TRAY COVER; TRAY NUMBER	3	
37	052-65002-007	SEAL ; TRAY	1	
38	061-34168-100	SEAL; TRAY NUMBER	1	
39	061-34023-102	LOWER SKIRT; R	1	
40	061-34024-001	LOWER SKIRT; L	1	
41	061-34095-006	SOUND ABSORBING; INNER COVER L	1	
42	061-34096-002	SOUND ABSORBING; INNER COVER MA	1	
43	061-34097-009	SOUND ABSORBING; INNER COVER MB	1	
44	061-34098-005	SOUND ABSORBING; INNER COVER LW	1	
45	061-34099-001	SOUND ABSORBING; INNER COVER LL	1	
46	061-34100-000	SOUND ABSORBING; FRONT DOOR LA	2	
47	061-34101-006	SOUND ABSORBING; FRONT DOOR LB	1	
48	061-34102-002	SOUND ABSORBING; FRONT DOOR LC	1	
49	061-34103-009	SOUND ABSORBING; FRONT DOOR LE	1	
50	061-34104-005	SOUND ABSORBING; FRONT DOOR LF	1	
51	061-34105-001	SOUND ABSORBING; FRONT DOOR LG	1	
52	061-34107-004	SOUND ABSORBING; FRONT DOOR RA	1	
53	061-34108-000	SOUND ABSORBING; FRONT DOOR RB	1	
54	061-34109-007	SOUND ABSORBING; FRONT DOOR RC	1	
55	061-34110-005	SOUND ABSORBING; FRONT DOOR RD	1	
56	061-34111-001	SOUND ABSORBING; FRONT DOOR RE	1	
57	061-34112-008	SOUND ABSORBING; FRONT DOOR RF	1	
58	061-34122-003	SOUND ABSORBING; HEAD COL DUCT	1	
59	061-34158-008	JAM RELEASE LABEL; V-TRANF	1	

Fig. 35 Face Down Paper Ejection Tray

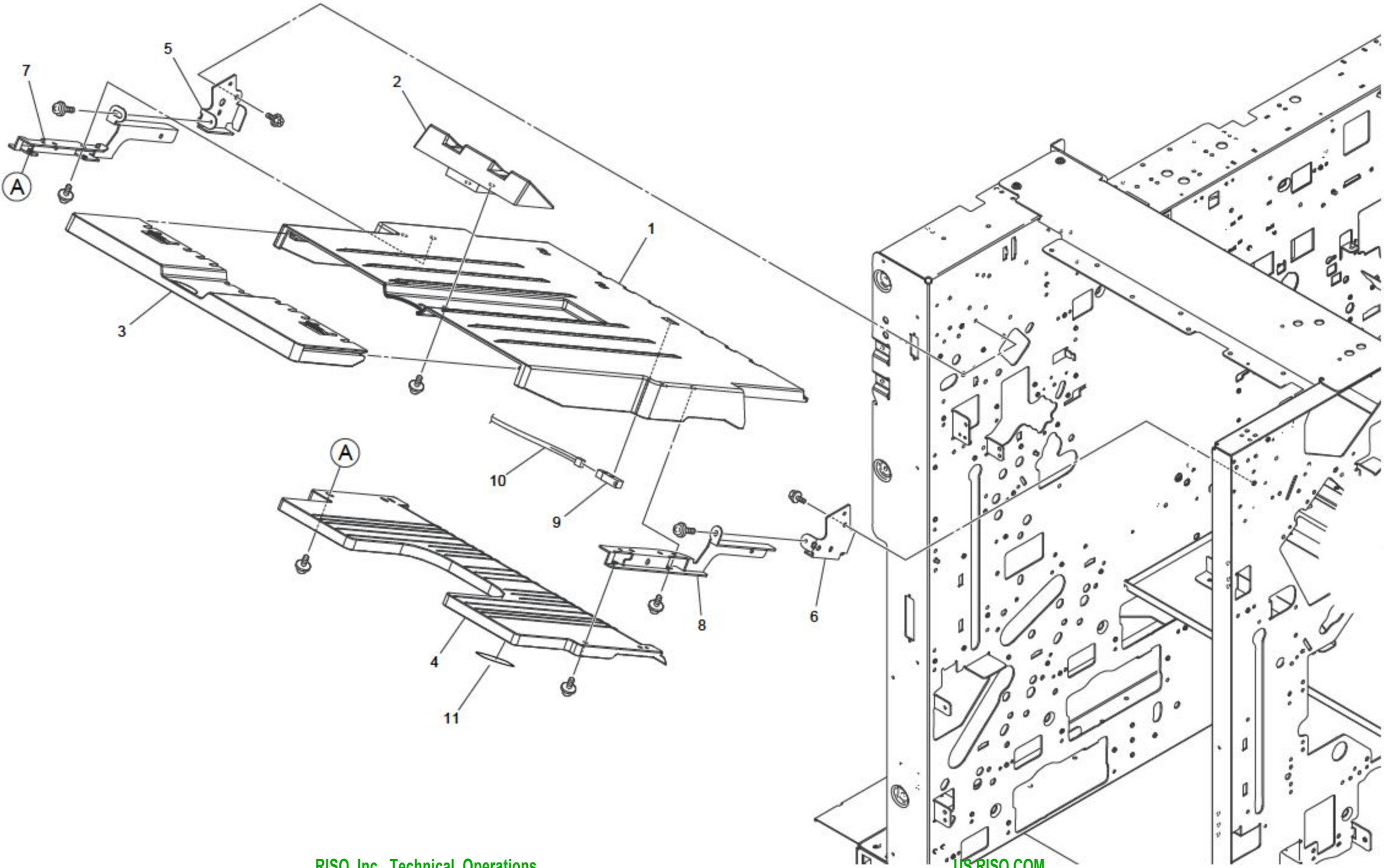


Fig.35 Face Down Paper Ejection Tray

No.	Part No.	Description	Q'ty	Remark
1	061-62023-002	FACE_DOWN_TRAY G	1	
2	061-62028-004	SUPPORT TRAY ; FD G	1	
3	061-62025-005	Sub Tray; FD G	1	
4	061-62024-009	SWITCHBACK_GUIDE_INNER G	1	
5	050-62182-107	BRACKET ; FD_TRAY_HOLD_R	1	
6	050-62181-003	BRACKET ; FD_TRAY_HOLD_F	1	
7	050-62005-000	BRACKET ; FD_TRAY_F	1	
8	050-62006-007	BRACKET ; FD_TRAY_R	1	
9	444-33013-007	SENSOR ; PS124TD1	1	
10	061-53058-006	WIRE HARNESS ; FACE_DOWN_TRAY G	1	
11	061-62027-008	Label ; Release Lever ; FD	1	

No.	Part No.	Description	Q'ty	Remark

INDEX

Part No.	Part Name	Q'ty	Fig.	No.
011-11514-000	GEAR;SLIDE RACK;P.-F.-T.	1	Fig. 06	38
017-13258-101	DE-ELECTRICITY BRUSH;SUCTION	1	Fig. 12	25
018-31614-001	Guide Spring ; Roller System	1	Fig. 03	20
018-35023-105	STEPPED SCREW; 6X2.3;M3X4.7	2	Fig. 18	34
019-11812-106	LOCK RING	3	Fig. 04	27
019-11812-106	LOCK RING	1	Fig. 28	42
019-11834-100	STRIPPER PAD;U	1	Fig. 03	10
020-11520-106	L. O. SHEET	1	Fig. 02	24
021-14301-208	PICK-UP ROLLER	2	Fig. 04	29
023-12126-004	BRACKET; CATCH	1	Fig. 02	25
023-12201-200	ELEVATOR RACK; P.-F.	2	Fig. 01	27
023-12203-009	BRACKET; ELEVATOR SPRING; P.-F.	2	Fig. 01	29
023-12206-008	SUPPORT; LOWER LIMIT FRAME; P.-F.	1	Fig. 01	26
023-12223-000	GEAR COVER; ELEVATOR MOTOR	1	Fig. 01	9
023-12233-102	BRACKET; LOWER LIMIT SENSOR	1	Fig. 01	35
023-12234-508	MOTOR CHASSIS; ELEVATOR MOTOR	1	Fig. 01	8
023-12241-105	SHAFT; POTENTIOMETER GEAR	1	Fig. 02	2
023-12244-104	ELEVATOR MOTOR COLLAR	2	Fig. 01	10
023-12244-104	ELEVATOR MOTOR COLLAR	1	Fig. 28	39
023-12247-103	COVER; ELEVATOR MOTOR	1	Fig. 01	12
023-12251-003	BRACKET F; SPRING; LOWER SAFETY SW	1	Fig. 01	21
023-12308-005	ACTUATOR; UPPER LIMIT; CARD; P.-F.-	1	Fig. 04	23
023-12325-007	BRACKET;UPPER LIMIT SENSOR	1	Fig. 04	2
023-12330-205	SCRAPER SHAFT; PICKUP	1	Fig. 04	28
023-12334-006	ACTUATOR; UPPER LIMIT; STD; P.-F.-T	1	Fig. 04	24
023-12402-109	BRACKET; STRIPPER BASE	1	Fig. 03	5
023-12403-008	SPRING TENSION; STRIPPER	1	Fig. 03	19
023-12412-007	ARM; STRIPPER PRESSURE	1	Fig. 03	18
023-12429-201	SPRING; ANGLE ADJ. ; STRIPPER	1	Fig. 03	6
023-12431-001	GUIDE BLOCK FRONT; STRIPPER UNIT	1	Fig. 03	21
023-12434-000	STRIPPER ASS'Y RZ	1	Fig. 03	7
023-12511-501	GUIDE ROLLER	1	Fig. 10	1
023-12519-006	LOCK PLATE; GUIDE ROLLER	1	Fig. 10	8
023-12605-603	POTENTIOMETER; P.-F.-T	1	Fig. 02	1
023-17069-009	COLLAR D12; CLAMP	1	Fig. 09	55
023-17197-007	LOCK RING 4	2	Fig. 11	5
023-17197-007	LOCK RING 4	1	Fig. 20	21
023-17344-204	LIGHT ABSORBER STRIP (65X18)	1	Fig. 09	68
023-21393-007	LIGHT ABSORBER STRIP (35X28)	1	Fig. 25	22
023-28403-105	SPRING; SAFETY SW/DRUM & MM	1	Fig. 03	32
023-28403-105	SPRING; SAFETY SW/DRUM & MM	1	Fig. 05	50
023-28403-105	SPRING; SAFETY SW/DRUM & MM	1	Fig. 16	32
023-28403-105	SPRING; SAFETY SW/DRUM & MM	2	Fig. 33	17
023-75078-107	ELEVATOR MOTOR ASS'Y	1	Fig. 01	5
024-12106-108	FENCE; TRAY F	1	Fig. 02	17
024-12107-104	FENCE; TRAY R	1	Fig. 02	23
024-12121-000	SEAL; FENCE SET	1	Fig. 02	20
024-12123-002	FENCE SHEET	4	Fig. 02	19
024-12125-005	FFC HOLDER	1	Fig. 02	7
024-12214-008	FFC GUIDE	1	Fig. 01	30
024-12403-005	STRIPPER CAM	1	Fig. 03	26
024-12404-303	SHAFT; STRIPPER CAM	1	Fig. 03	27
024-12405-202	STRIPPER ADJ ARM	1	Fig. 03	28
024-12406-004	PLATE;STRIPPER SHAFT CATCH	1	Fig. 03	29
024-15172-004	SPRING;ONE-WAY HOOK	2	Fig. 09	25
024-15172-004	SPRING;ONE-WAY HOOK	2	Fig. 16	46
024-15172-004	SPRING;ONE-WAY HOOK	1	Fig. 17	24
024-28059-100	BRACKET ; SAFETY SW	1	Fig. 03	33
024-28059-100	BRACKET ; SAFETY SW	1	Fig. 05	49
024-28059-100	BRACKET ; SAFETY SW	1	Fig. 09	30

INDEX

Part No.	Part Name	Q'ty	Fig.	No.
024-28059-100	BRACKET ; SAFETY SW	1	Fig. 16	31
024-34040-003	DETECTION PLATE; FRONT DOOR	2	Fig. 34	4
030-04034-103	SEAL; P.-F.-T. DOWN	1	Fig. 04	13
030-14347-002	BASE; UPPER LIMIT ADJ. SCREW	1	Fig. 04	3
030-19205-001	SUPPORT; CLAMP WORM	1	Fig. 01	11
030-19205-001	SUPPORT; CLAMP WORM	1	Fig. 28	43
030-21203-105	LOCK RING;ROLLER	2	Fig. 06	6
030-21203-105	LOCK RING;ROLLER	1	Fig. 15	33
030-21203-105	LOCK RING;ROLLER	1	Fig. 20	40
042-30067-002	SLIDE RACK ; ORIGINAL SIDE GUIDE	2	Fig. 19	10
046-12301-005	BRACKET B; UPPER LIMIT SENSOR	1	Fig. 04	5
046-12302-001	SUPPORT PLATE; UPPER LIMIT ADJUST	1	Fig. 04	6
046-12304-101	CASE ; SW	1	Fig. 04	19
046-12305-000	SPRING ; SW	1	Fig. 04	20
047-63047-003	SPRING; ENTRY REMOVAL	1	Fig. 04	17
047-63058-005	DE-ELECTRICITY BRUSH: IN	2	Fig. 16	30
047-64675-008	TENSIONER ROLLER ; FOURTH TRANSFER	1	Fig. 09	28
047-64675-008	TENSIONER ROLLER ; FOURTH TRANSFER	2	Fig. 16	45
050-12003-104	FRAME BRACKET; PICK-UP	1	Fig. 04	22
050-12005-000	BRACKET A; UPPER LIMIT SENSOR	1	Fig. 04	4
050-12009-404	GUIDE PLATE LOWER	1	Fig. 03	2
050-12014-009	UPPER GUARD	2	Fig. 04	8
050-12015-005	STAY ; PFT	1	Fig. 03	44
050-12016-001	SIDE FRAME ; PFT F	1	Fig. 03	45
050-12017-105	SIDE FRAME ; PFT R	1	Fig. 03	46
050-12018-004	STAY ; GUIDE PLATE	1	Fig. 03	47
050-12046-105	GUIDE BLOCK ; ELEVATOR	2	Fig. 03	43
050-12054-000	COVER ; WIRE HARNESS PFT	1	Fig. 03	48
050-12057-107	LEVER ; PFT COVER R	1	Fig. 04	10
050-12058-006	LEVER ; PFT COVER F	1	Fig. 04	9
050-12074-109	EXTENSION SHEET ; GUIDE PLATE LOWER	2	Fig. 03	3
050-12078-007	SEAL ; PFT CLOSE	1	Fig. 02	8
050-12079-003	SEAL ; PFT SET	1	Fig. 02	9
050-12080-109	SEAL; PAPER FEED TRAY	1	Fig. 33	14
050-12501-007	PRESSURE PLATE ; GUIDE ROLLER	1	Fig. 10	2
050-12511-100	GUIDE PLATE MIDDLE	1	Fig. 10	21
050-12516-306	GUIDE PLATE UPPER	1	Fig. 10	22
050-12520-109	SS ROLLER	1	Fig. 11	1
050-12523-205	SS ROLLER ARM	2	Fig. 11	2
050-12528-100	COVER ; SENSOR	4	Fig. 10	33
050-12535-009	SPRING; SS ROLLER	2	Fig. 11	3
050-12536-102	BRACKET; SENSOR	1	Fig. 10	24
050-12906-104	Junction Harness ; Upper Limit Sens	1	Fig. 04	49
050-12908-301	WIRE HARNESS RESIST A	1	Fig. 10	51
050-12909-308	WIRE HARNESS ; RESIST B	1	Fig. 10	52
050-15112-109	DRIVE COUPLER	1	Fig. 15	10
050-15112-109	DRIVE COUPLER	1	Fig. 17	28
050-15143-004	DRIVE JOINT SPRING	1	Fig. 17	29
050-18001-103	CIS BASE BRACKET	1	Fig. 11	6
050-18002-207	CIS FIX PLATE	4	Fig. 11	7
050-18004-005	GATE ARM; PAPER DET.	2	Fig. 11	8
050-18005-109	BRACKET; PAPER LIFT DET. SENSOR	1	Fig. 11	12
050-18006-300	PAPER DET. FRAME	1	Fig. 11	14
050-18007-004	SPRING; PAPER DET.	1	Fig. 11	15
050-18009-007	BLADE; PAPER LIFT DET.	1	Fig. 11	9
050-18010-102	BASE; PAPER LIFT DET.	2	Fig. 11	10
050-18014-108	SENSOR COVER	1	Fig. 11	13
050-19004-009	BELT FLANGE	4	Fig. 12	3
050-19005-200	IDLER ROLLER	1	Fig. 12	6
050-19006-206	TENSION ROLLER	1	Fig. 12	8

INDEX

Part No.	Part Name	Q'ty	Fig.	No.
050-19009-000	SHAFT; TENSION ROLLER PLATE	2	Fig. 12	11
050-19022-104	WIRE HOOK A	1	Fig. 12	47
050-19029-001	SPRING; BP POSITION	4	Fig. 12	39
050-19053-000	BP GUIDE ROLLER	2	Fig. 12	45
050-19070-001	ADJ. PLATE; PLATEN	2	Fig. 12	26
050-19073-000	BP POSITION PLATE A	1	Fig. 12	40
050-19074-007	BP POSITION PLATE B	1	Fig. 12	42
050-19075-100	GUIDE PLATE; BP POS. PLATE B	1	Fig. 12	43
050-19078-002	FAN VIBRATION ABSORB SEAL	8	Fig. 13	16
050-19080-007	BP AIR SEAL A	2	Fig. 13	6
050-19081-003	BP AIR SEAL B	2	Fig. 13	7
050-19094-105	IDLER TENSION SPRING	1	Fig. 12	30
050-19095-101	STAY A; BP FRAME	1	Fig. 12	22
050-19096-000	STAY B; BP FRAME	1	Fig. 12	23
050-19097-104	STAY C; BP FRAME	1	Fig. 12	24
050-19105-000	FAN GUIDE SEAL	16	Fig. 13	17
050-19114-009	IDLER PULLEY2	1	Fig. 12	28
050-34016-005	BRACKET 1; SAFETY SW	2	Fig. 33	18
050-34036-103	SW BRACKET II	2	Fig. 33	16
050-55214-001	SENSOR BRACKET; IN SENSOR	1	Fig. 09	34
050-55214-001	SENSOR BRACKET; IN SENSOR	1	Fig. 14	6
050-55215-300	PAPER ELEVATION GUIDE L; DRIVE	1	Fig. 14	28
050-55246-108	SHAFT ; DRIVEN ROLLER 2	2	Fig. 07	11
050-55246-108	SHAFT ; DRIVEN ROLLER 2	4	Fig. 08	1
050-55246-108	SHAFT ; DRIVEN ROLLER 2	4	Fig. 09	35
050-55249-107	SPRING; DRIVEN ROLLER	8	Fig. 08	4
050-55249-107	SPRING; DRIVEN ROLLER	8	Fig. 09	38
050-55249-107	SPRING; DRIVEN ROLLER	12	Fig. 15	25
050-55249-107	SPRING; DRIVEN ROLLER	8	Fig. 16	6
050-55249-107	SPRING; DRIVEN ROLLER	4	Fig. 17	9
050-55259-005	SPRING DRIVEN ROLLER	8	Fig. 14	9
050-62005-000	BRACKET ; FD_TRAY_F	1	Fig. 35	7
050-62006-007	BRACKET ; FD_TRAY_R	1	Fig. 35	8
050-62021-308	BRACKET; FENCE MOTOR	1	Fig. 19	2
050-62041-007	PRESS SPRING; EJECTION	4	Fig. 18	22
050-62042-003	SOLENOID SPRING	1	Fig. 18	36
050-62050-006	BRACKET F; FD FENCE	1	Fig. 19	14
050-62051-100	BRACKET R; FD FENCE	1	Fig. 19	13
050-62057-000	FENCE UNIT COVER PLATE	1	Fig. 19	12
050-62060-400	DE-ELECTRICITY BRUSH; 314	1	Fig. 18	4
050-62173-000	FULCRUM BASE PLATE F	1	Fig. 18	2
050-62178-002	BRACKET; FULL SENSOR	1	Fig. 18	6
050-62181-003	BRACKET ; FD_TRAY_HOLD_F	1	Fig. 35	6
050-62182-107	BRACKET ; FD_TRAY_HOLD_R	1	Fig. 35	5
050-62185-009	GROUND PLATE; FULL SENSOR	1	Fig. 18	7
050-62904-005	GROUND WIRE; FD EJECTION	1	Fig. 19	15
050-64302-100	RE-FEED GUIDE; DRIVEN	1	Fig. 16	2
050-64306-504	SWITCHBACK GUIDE ; DRIVEN	1	Fig. 17	6
050-64307-101	SPRING ; TRANSFER SWITCHBACK	4	Fig. 07	13
050-64312-601	BASE BRACKET ; DRIVEN ROLLER ; SWIT	1	Fig. 16	3
050-64319-002	RELEASE LEVER SPRING; SWITCHBACK B	1	Fig. 15	24
050-64319-002	RELEASE LEVER SPRING; SWITCHBACK B	1	Fig. 17	11
050-64321-201	RE-FEED GUIDE U; DRIVE	1	Fig. 16	9
050-64328-206	SOCKET; DRIVEN ROLLER	4	Fig. 07	12
050-64328-206	SOCKET; DRIVEN ROLLER	8	Fig. 08	3
050-64328-206	SOCKET; DRIVEN ROLLER	8	Fig. 09	37
050-64344-007	PLATE ; SPRING	1	Fig. 08	18
050-64349-009	RELEASE LEVER SPRING ; SWITCHBACK A	1	Fig. 16	14
050-64361-009	HINGE; SWITCHBACK B	2	Fig. 17	2
050-64362-005	HOOK CATCH; SWITCHBACK B	1	Fig. 17	3

INDEX

Part No.	Part Name	Q'ty	Fig.	No.
050-64369-000	SOCKET STOPPER	4	Fig. 07	19
050-64369-000	SOCKET STOPPER	4	Fig. 08	7
050-64369-000	SOCKET STOPPER	4	Fig. 09	40
050-64370-008	Socket Stopper Plate F; Switchback	2	Fig. 08	9
050-64370-008	Socket Stopper Plate F; Switchback	2	Fig. 09	52
050-64371-004	Socket Stopper Plate R; Switchback	2	Fig. 08	10
050-64371-004	Socket Stopper Plate R; Switchback	2	Fig. 09	53
050-65206-007	VERTICAL TRANSFER ; DRIVEN ROLLER	1	Fig. 17	23
050-65209-103	SPRING ; RELEASE LEVER ; VTB	1	Fig. 08	19
050-65209-103	SPRING ; RELEASE LEVER ; VTB	1	Fig. 09	44
050-65210-004	SPRING ; SAFETY SW ; VERTICAL TRANS	1	Fig. 09	31
050-65322-104	SUPPORT SHAFT ; TRANSFER GUIDE	1	Fig. 08	11
050-65322-104	SUPPORT SHAFT ; TRANSFER GUIDE	2	Fig. 09	41
050-65322-104	SUPPORT SHAFT ; TRANSFER GUIDE	1	Fig. 15	19
050-65340-102	BRACKET ; PAPER FEED ; INTERNAL	1	Fig. 06	10
050-65348-103	HOLDER ; STRIPPER	1	Fig. 06	20
050-65350-000	SUPPORT PLATE ; STRIPPER BASE	1	Fig. 06	22
050-65358-001	ROLLER PICKUP	2	Fig. 06	7
050-65406-006	LEVER ; STRIPPER PRESSURE	1	Fig. 06	23
050-65407-100	STRIPPER PAD	1	Fig. 06	21
050-65409-005	CAM ; STRIPPER ANGLE ADJ.	1	Fig. 06	27
050-65410-003	SPRING STRIPPER	1	Fig. 06	24
050-65411-000	SPRING ; STRIPPER ANGLE ADJ.	1	Fig. 06	26
050-65412-006	SHAFT ; UPPER LIMIT	1	Fig. 06	49
050-65416-001	SPRING ; SCRAPER PRESSURE	1	Fig. 06	11
050-65417-008	COLLAR ; 10X5.1X3	2	Fig. 06	46
050-65421-005	DIAL ; STRIPPER ANGLE ADJ.	1	Fig. 06	30
050-65426-104	STRIPPER ASSY ; INTERNAL	1	Fig. 06	25
050-65431-205	PU ARM ASSY ; INTERNAL	1	Fig. 06	3
050-65435-200	SHAFT ; ACTUATOR	2	Fig. 06	47
050-65511-004	SPRING ; GUIDE FENCE F	1	Fig. 05	15
050-65516-103	SECTOR GEAR ; SIZE DET.	1	Fig. 05	22
050-65533-105	SUPPORT SHAFT ; BOTTOM PLATE	1	Fig. 05	4
050-65537-003	ARTH PLATE ; TRYA	1	Fig. 05	42
050-65558-000	COLOR ; E MOTOR	2	Fig. 05	40
050-65562-202	COVER ; E MOTOR	1	Fig. 05	41
050-65563-101	JOINT SPRING	1	Fig. 05	38
050-65591-008	MILLAR SHEET+TRY LIFT	1	Fig. 05	6
050-75112-000	ELEVATOR SHAFT_ASSY	1	Fig. 01	1
050-75140-306	RFID PCB UNIT	5	Fig. 22	12
050-75140-306	RFID PCB UNIT	1	Fig. 30	21
050-75152-002	445 CCW MOTOR ASSY	1	Fig. 01	17
050-75152-002	445 CCW MOTOR ASSY	1	Fig. 05	30
050-75152-002	445 CCW MOTOR ASSY	1	Fig. 21	18
050-79631-002	JOINT_SPRING	5	Fig. 22	6
050-79637-000	GEAR_Z50	1	Fig. 21	15
050-79638-007	GEAR_Z15_Z38	1	Fig. 21	19
050-79643-000	3ERING	1	Fig. 12	27
050-79643-000	3ERING	2	Fig. 20	28
050-79643-000	3ERING	2	Fig. 28	24
050-79647-006	ARM_BEARING	1	Fig. 28	40
050-79650-007	DRIVE_SPRING	1	Fig. 28	38
050-79651-003	DRIVE_BEARING	1	Fig. 28	41
050-79657-001	SW_SPRING	1	Fig. 21	21
050-79669-000	TUBE_GUARD	2	Fig. 25	14
050-79675-000	GEAR_M1.5Z20_SET	1	Fig. 20	41
050-79676-006	DRIVE_PLATE_COVER	1	Fig. 20	54
050-79683-002	COVER TOP EDGE SEN	1	Fig. 11	16
050-79684-009	HOLD_CLIP	2	Fig. 20	30
050-79685-102	CNT_HOLDER	4	Fig. 20	27

INDEX

Part No.	Part Name	Q'ty	Fig.	No.
050-79688-004	SPRING_RST_2	1	Fig.10	36
050-79689-000	GUIDE_ROLL_SPRING	1	Fig.10	5
050-79690-009	SPRING_RST_1	1	Fig.10	37
050-79691-005	PULLY_SPACER	1	Fig.10	38
050-79692-001	PULLY_S2M41_AS	1	Fig.10	47
050-79696-007	WIRE_GUIDE	6	Fig.20	2
050-79697-003	SPRING	1	Fig.20	20
050-79698-000	CORNER_GUIDE	2	Fig.20	3
050-79699-200	WIRE_ASSY_L	1	Fig.20	62
050-79700-209	WIRE_ASSY_R	1	Fig.20	63
050-79708-005	T_LIMITTER_6000	2	Fig.20	33
050-79711-006	GUIDE_PULLY	4	Fig.20	1
050-79717-004	BRACKET_EXIT_F	1	Fig.18	41
050-79718-000	STUD_EXIT	2	Fig.18	42
050-79722-105	BP_SHAFT	2	Fig.11	27
050-79727-000	FRAME_FEED_TRY_R_AS	1	Fig.01	19
050-79733-000	SP_BASE_R	1	Fig.01	22
050-79734-103	COVER_FFC	1	Fig.02	6
050-79735-100	COVER_FFC_G	1	Fig.01	33
050-79736-009	GEAR_FEEDTRY	1	Fig.01	20
050-79737-005	SPRING_L_SNR	2	Fig.01	23
050-79738-001	BRACKET_EXFEED	1	Fig.03	39
050-79739-008	BRACKET_L_G_F	1	Fig.03	40
050-79740-006	STUD_EXFEED	2	Fig.03	49
050-79789-005	BRACKET_MCATCH	1	Fig.34	30
050-79797-008	OR2ELV_CBL	1	Fig.01	43
050-79842-003	HH_PULL_KNOB	1	Fig.11	25
050-79875-203	WIRSNAP_CBL	2	Fig.20	58
050-79883-001	MICRO SW; WIRE SLACK	1	Fig.20	24
050-79891-209	WIPSNAP1_CBL	2	Fig.20	59
050-79991-009	SOLENOID CAP F	1	Fig.24	29
050-83188-008	BASE CAP; CA	5	Fig.22	2
050-83597-005	METAL 8	4	Fig.21	13
050-84189-008	FRAME_FT_F_AS_2	1	Fig.01	18
050-84209-009	BRACKET; PULLEY	1	Fig.20	9
050-84210-007	PULLEY BRACKET; BP ELEVATION	1	Fig.20	23
050-84211-003	FRAME BRACKET; INK CARTRIDGE	2	Fig.21	23
050-84246-001	WIRE POST; HH	1	Fig.20	22
050-84255-000	BRACKET; CAM DRIVE MOTOR	1	Fig.21	20
050-84260-101	BASE; WIRE DRIVE	1	Fig.20	42
050-84273-009	WIRE POST 2; HH	1	Fig.20	8
050-84277-004	TENSIONER 1; REGIST	1	Fig.10	39
050-84278-000	TENSIONER 2; REGIST	1	Fig.10	40
050-84279-007	TENSION ROLLER	1	Fig.10	41
050-84371-000	VF FORM KV	2	Fig.27	12
050-84613-004	SPRING PLATE	1	Fig.20	50
050-84616-003	P-Roll-Ring	4	Fig.15	23
050-84616-003	P-Roll-Ring	4	Fig.28	23
050-84652-000	BEARING A	1	Fig.20	51
050-84680-003	HOLD BASE1	2	Fig.20	25
050-84690-009	SPRING; SHAFT	1	Fig.20	52
050-84697-003	HOLD BASE 2	2	Fig.20	31
050-84804-004	HOLDER; MANUAL SHAFT	1	Fig.20	56
050-84868-002	CAP IN; WST TANK	1	Fig.29	3
050-84869-106	CAP; WST TANK	1	Fig.29	4
050-84880-002	CA JOINT	5	Fig.22	1
050-84881-106	PIN R; HINGE	1	Fig.28	21
050-84899-005	WIPE BEARING	2	Fig.28	12
050-84906-001	WIPER ROLLER	2	Fig.28	7
050-84910-009	AD FORM	12	Fig.27	3

INDEX

Part No.	Part Name	Q'ty	Fig.	No.
050-84918-000	WIPER SPRING RR	2	Fig. 28	10
050-84932-002	WIPER SPRING FR	2	Fig. 28	11
050-84936-202	SHAFT; HH SUPPORT	1	Fig. 11	22
050-84941-001	HH_POSITION_PLATE	1	Fig. 11	23
050-84944-000	HH_HANGER_PLATE	1	Fig. 11	18
050-84960-006	TUBE; KOF_SOL	2	Fig. 24	43
050-84968-007	RING; HH HANGER	1	Fig. 11	20
050-84969-003	CAM; REGIST	1	Fig. 10	20
050-85009-003	SPRING; REGIST	1	Fig. 10	17
050-85051-000	CA CAM	5	Fig. 21	14
050-85066-007	WORM SHAFT	1	Fig. 20	47
050-85069-006	SHAFT; MANUAL	1	Fig. 20	49
050-85076-002	ROLL UP PULLEY	4	Fig. 20	36
050-85082-002	HOLE GUIDE	4	Fig. 20	4
050-85083-106	SHAFT; CARTRIDGE HOLDER	2	Fig. 21	3
050-85089-007	T_CLIP_3	16	Fig. 23	20
050-85089-007	T_CLIP_3	4	Fig. 24	37
050-85090-005	T_CLIP_5	1	Fig. 22	32
050-85090-005	T_CLIP_5	2	Fig. 23	42
050-85090-005	T_CLIP_5	17	Fig. 24	30
050-85090-005	T_CLIP_5	2	Fig. 29	16
050-85091-001	T_CLIP_7	4	Fig. 29	17
050-85093-004	WIRE COVER	2	Fig. 20	35
050-85115-008	STAY_EXIT	1	Fig. 01	6
050-85122-004	BRACKETF; GUIDE PLATE F	1	Fig. 10	26
050-85123-000	BRACKETR; GUIDE PLATE R	1	Fig. 10	27
050-85129-009	LOCK	1	Fig. 33	22
050-85135-009	SUB-FRAME F; REGIST	1	Fig. 10	29
050-85205-007	SHAFT_GD	1	Fig. 01	7
050-85293-003	SPRING; BP GAP ADJUST	4	Fig. 20	11
050-85297-009	HG PIN; HH RAIL	1	Fig. 11	19
050-85300-000	BRACKET; WR SOLENOID	1	Fig. 22	14
050-85301-006	TRI JOINT	1	Fig. 29	11
050-85326-009	Exit Hose; Inkpan	1	Fig. 28	47
050-85328-001	BRACKET; EXIT HOSE	1	Fig. 28	46
050-85376-006	COOLING NOZZLE	12	Fig. 27	2
050-85381-107	SPRING GUIDE	4	Fig. 20	10
050-85402-007	JOINT RING; CA	5	Fig. 22	3
050-85407-009	INK SPRING; CA	5	Fig. 22	5
050-85432-003	T_CLIP_5_SFT	20	Fig. 22	25
050-85432-003	T_CLIP_5_SFT	38	Fig. 23	19
050-85741-006	WIPER HOLDER	6	Fig. 28	5
050-86073-007	TUBE; KSL_OF	1	Fig. 24	40
050-86081-000	OF_BALL	1	Fig. 23	13
050-86188-009	ED FOAM C	1	Fig. 27	15
050-86190-003	ED FOAM E	4	Fig. 27	6
050-86232-008	TWIST SPRING 2	4	Fig. 21	4
050-86240-000	MAGNET 2	1	Fig. 23	14
050-86263-000	CANTILEVER CA	2	Fig. 21	5
050-86278-008	ROLLER SHAFT 2	2	Fig. 21	6
050-86279-004	CA ROLLER 2	2	Fig. 21	7
050-86288-003	CANTILEVER JOINT	2	Fig. 21	8
050-86325-006	WIRE STOPPER	4	Fig. 20	5
050-87010-106	HSL_CAP_VE	2	Fig. 24	31
050-87034-200	WIRE; F	2	Fig. 20	6
050-87035-109	WIRE;R	2	Fig. 20	7
052-10127-005	JOINT SHAFT	1	Fig. 09	59
052-10134-001	BLIND PLATE; R	1	Fig. 27	1
052-12003-109	PICK-UP COVER 2	1	Fig. 04	32
052-12009-107	SUPPORT; PICK-UP ROLLER SHAFT	1	Fig. 03	4

INDEX

Part No.	Part Name	Q'ty	Fig.	No.
052-12010-202	FIXED BLOCK	1	Fig. 03	22
052-12011-004	BASE; STRIPPER UNIT	1	Fig. 03	23
052-12013-007	BRACKET; STRIPPER SAFE SW	1	Fig. 03	30
052-12015-000	LEVER ; SW	1	Fig. 03	36
052-12016-006	SW BASE PLATE ; STRIPPER SAFE SW	1	Fig. 03	31
052-12019-005	SW COVER PLATE ; STRIPPER SAFE SW	1	Fig. 03	35
052-12020-208	BU GUIDE PLATE	1	Fig. 11	4
052-12022-103	GUIDE PLATE; VERTICAL TRANSFER	1	Fig. 10	31
052-12023-002	RE-FEED GUIDE	1	Fig. 10	30
052-12167-101	SUPPORT SHAFT ; GUIDE ROLLER	1	Fig. 10	3
052-12168-108	PRESSURE SHAFT ; GUIDE ROLLER	1	Fig. 10	4
052-12169-007	SUPPORT PLATE R ; GUIDE ROLLER	1	Fig. 10	6
052-12171-109	SUPPORT PLATE F ; GUIDE ROLLER	1	Fig. 10	7
052-12172-008	PLATE ; GUIDE ROLLER ADJ.	1	Fig. 10	9
052-19001-004	INSULATION PLATE ; BP	4	Fig. 13	3
052-55016-107	SOCKET ; DRIVEN ROLLER 2	8	Fig. 14	11
052-55016-107	SOCKET ; DRIVEN ROLLER 2	12	Fig. 15	27
052-55016-107	SOCKET ; DRIVEN ROLLER 2	4	Fig. 16	5
052-55016-107	SOCKET ; DRIVEN ROLLER 2	8	Fig. 16	23
052-55016-107	SOCKET ; DRIVEN ROLLER 2	4	Fig. 17	8
052-55016-107	SOCKET ; DRIVEN ROLLER 2	4	Fig. 18	21
052-55017-006	SOCKET STOPPER 2	8	Fig. 14	12
052-55017-006	SOCKET STOPPER 2	12	Fig. 15	28
052-55017-006	SOCKET STOPPER 2	4	Fig. 16	7
052-55017-006	SOCKET STOPPER 2	8	Fig. 16	24
052-55017-006	SOCKET STOPPER 2	4	Fig. 17	13
052-55017-006	SOCKET STOPPER 2	4	Fig. 18	23
052-65002-007	SEAL ; TRAY	1	Fig. 34	37
052-65004-107	BRACKET ; BOTTOM PLATE TRAY	1	Fig. 05	66
052-65006-002	MID GEAR ; BOTTOM PLATE	1	Fig. 05	9
052-65007-009	MID SHAFT ; BOTTOM PLATE	1	Fig. 05	10
052-65013-009	ROLLER ; TRAY RAIL	6	Fig. 05	3
052-65014-005	TRAY CATCH	1	Fig. 05	5
052-65016-008	PIVOT ; TRAY CATCH	1	Fig. 05	44
052-65017-004	ARM ; TRAY CATCH	2	Fig. 05	46
052-65018-000	SHAFT ; TRAY CATCH	1	Fig. 05	45
052-65021-001	JOINT GEAR ; DRIVE	1	Fig. 05	36
052-65022-008	CASE 2 ; COUPLING	1	Fig. 05	39
052-65023-004	COUPLING 2 ; ELEVATOR MOTOR	1	Fig. 05	37
052-65024-000	COVER PLATE ; P-VOLUME DET SENSOR	1	Fig. 05	53
052-65026-003	STOPPER R ; TRAY RAIL	1	Fig. 05	60
052-65027-000	GUIDE R ; TRAY RAIL	1	Fig. 05	59
052-65033-000	STOPPER L ; TRAY RAIL	1	Fig. 05	56
052-65034-103	TRAY RAIL L	1	Fig. 05	54
052-65037-005	GUIDE L ; TRAY RAIL	1	Fig. 05	55
052-65073-001	CUSHION ; BOTTOM PLATE	2	Fig. 05	27
052-65074-008	CUSHION ; BOTTOM PLATE BRACKET	1	Fig. 05	28
052-65100-009	L. O. SHEET	1	Fig. 05	65
052-68006-208	ARM PLATE F	1	Fig. 28	26
052-68008-200	ARM PLATE R	1	Fig. 28	25
052-68009-100	ROTARY GUIDE	4	Fig. 20	13
052-68010-000	GAP ADJUST	4	Fig. 20	12
052-68016-009	CONTACT SPRING	4	Fig. 20	26
052-68018-001	GROUND SHIELD ; L	2	Fig. 20	29
052-68019-008	GROUND SHIELD ; R	2	Fig. 20	32
052-68021-002	JUNCTION GEAR ; BP EL MOTOR	1	Fig. 20	44
052-68039-009	SENSOR COVER PLATE; WST TANK	1	Fig. 29	9
052-68040-007	KG BEARING	14	Fig. 26	5
052-68041-003	KG SPRING	14	Fig. 26	6
052-75201-008	SHAFT ; PICK-UP ROLLER SU	1	Fig. 04	31

INDEX

Part No.	Part Name	Q'ty	Fig.	No.
052-75237-100	GAP_ADJUST_SET	4	Fig. 20	61
058-53011-101	WIRE:MACHINE SET SW	1	Fig. 03	34
058-53011-101	WIRE:MACHINE SET SW	1	Fig. 05	51
058-53011-101	WIRE:MACHINE SET SW	1	Fig. 09	32
058-53011-101	WIRE:MACHINE SET SW	1	Fig. 16	33
058-53011-101	WIRE:MACHINE SET SW	2	Fig. 33	19
060-12047-108	JAM DIAL RELEASE SEAL; REGIST	1	Fig. 10	14
060-12048-007	COLLOR; BEARING STOPPER	2	Fig. 10	15
060-12048-007	COLLOR; BEARING STOPPER	2	Fig. 12	17
060-12083-104	P.-F. PRESSURE ADJ. LEVER	1	Fig. 04	14
060-12088-009	BRACKET; EXTERNAL P.-FEED MOTOR	1	Fig. 04	35
060-12089-102	LINK SHAFT; PU	1	Fig. 04	36
060-12094-009	BRACKET; EXTERNAL P.-FEED DRIVE	1	Fig. 04	41
060-12100-009	BRACKET; JUNCTION PCB	1	Fig. 01	37
060-12101-005	LOWER_FRAME	1	Fig. 01	24
060-12102-001	LOWER LIMIT FRAME; R	1	Fig. 01	25
060-12103-008	BRACKET; CENTER GEAR	1	Fig. 02	10
060-12104-004	FENCE RACK; PFT	2	Fig. 02	12
060-12105-000	SLIDER F; PAPER GUIDE	1	Fig. 02	13
060-12106-007	SLIDER ARM A; PAPER GUIDE	2	Fig. 02	14
060-12107-003	SLIDER ARM B; PAPER GUIDE	2	Fig. 02	15
060-12108-000	SHAFT; RENCE LOCK	2	Fig. 02	16
060-12109-006	FENCE LOCK; PFT	2	Fig. 02	18
060-12110-004	SLIDER R; PAPER GUIDE	1	Fig. 02	22
060-12111-000	FRAME COVER	1	Fig. 02	26
060-12112-104	PFT TABLE	1	Fig. 02	27
060-12113-100	FEED TRAY COVER	1	Fig. 02	28
060-12114-000	PFT LOWER FRAME	1	Fig. 02	29
060-12115-006	SHAFT; HINGE	1	Fig. 02	32
060-12116-002	COVER; HINGE	1	Fig. 02	33
060-12117-009	BRACKET; DAMPER	1	Fig. 02	34
060-12118-005	GROUND PLATE; P.-F.-T	2	Fig. 02	5
060-12120-000	SPRING; ELEVATOR	2	Fig. 01	28
060-12122-002	LOCK LEVER; STRIPPER UNIT	1	Fig. 03	24
060-12123-009	UNFIX LEVER; STRIPPER UNIT	1	Fig. 03	25
060-12124-005	ADJ DIAL; STRIPPER	2	Fig. 03	17
060-12126-008	LEVER B; FENCE LOCK	2	Fig. 02	21
060-12133-004	PUSH BUTTON SW	1	Fig. 04	21
060-17031-005	REAR DUCT; L	3	Fig. 27	18
060-17032-001	REAR DUCT; S	3	Fig. 27	19
060-17050-000	LIMITER STOPPER	2	Fig. 20	37
060-17070-108	SHAFT; STAR WHEEL	1	Fig. 26	1
060-17071-007	HOLDER; SHAFT	2	Fig. 26	3
060-17093-000	SPONGE; HEAD COVER	21	Fig. 27	28
060-17096-000	HEAD COVER; M	9	Fig. 27	24
060-17107-109	DRIVEN ROLLER; HEAD HOLDER	8	Fig. 26	2
060-19010-005	ENCODER SHAFT	1	Fig. 12	50
060-19039-003	FAN COVER U	4	Fig. 13	14
060-19040-001	FAN COVER L	4	Fig. 13	15
060-34057-107	BRACKET; MAGNET CATCH	1	Fig. 34	11
060-34064-103	TRAY HANDLE	3	Fig. 34	33
060-34065-002	BRACKET; TRAY COVER L	3	Fig. 34	34
060-34066-009	BRACKET; TRAY COVER R	3	Fig. 34	35
060-34083-000	BRACKET; R SIDE COVER	2	Fig. 33	10
060-34085-003	SW COVER; POWER SUPPLY	1	Fig. 33	13
060-34119-200	SEAL; PAPER LENGTH	1	Fig. 05	67
060-37006-104	FREE STOP HINGE	2	Fig. 32	8
060-37007-003	BRACKET; USB	1	Fig. 32	9
060-37008-107	LABEL; USB	1	Fig. 32	5
060-50027-005	HINGE U; POWER SUPPLY	1	Fig. 30	16

INDEX

Part No.	Part Name	Q'ty	Fig.	No.
060-50028-001	HINGE L; POWER SUPPLY	1	Fig. 30	17
060-50029-008	BRACKET U; POWER SUPPLY	1	Fig. 30	18
060-50037-000	PF-TRAY-PCB	1	Fig. 02	38
060-50039-003	HNS RLY PCB	1	Fig. 01	3
060-50043-604	IP PCB; MH	1	Fig. 31	3
060-50044-007	BRACKET; ENGINE PCB	1	Fig. 30	1
060-50047-006	CARD CASE	1	Fig. 30	20
060-50048-002	BRACKET U; IP PCB	2	Fig. 31	1
060-50049-009	BRACKET L; IP PCB	1	Fig. 31	2
060-50100-004	INSULATION SHEET	1	Fig. 30	14
060-53009-105	WIRE HARNESS; V-TRANS. SENSOR 1	1	Fig. 07	28
060-53018-007	WIRE HARNESS; TRAY SIZE SNR RLY	1	Fig. 05	68
060-53021-105	WIRE HARNESS; INTERNAL PF SENSOR	1	Fig. 06	41
060-53052-205	WIRE HARNESS; PF-RELAY	1	Fig. 01	2
060-53055-000	WIRE HARNESS; PF TRAY INNER	1	Fig. 02	39
060-53062-006	WIRE HARNESS; P-LIFT DET SENSOR	1	Fig. 11	31
060-53063-100	WIRE HARNESS; BP ENCODER	1	Fig. 12	66
060-53066-109	WIRE;PF TRAY LIMIT SW	1	Fig. 01	42
060-53066-109	WIRE;PF TRAY LIMIT SW	1	Fig. 04	12
060-53067-008	WIRE HARNESS; PF TRAY EXTERNAL	1	Fig. 02	36
060-53070-203	WIRE HARNESS; INTL PF SNR 2 RLY	1	Fig. 09	66
060-53077-100	WIRE HARNESS; CONTROLLER-IP PCB	1	Fig. 31	4
060-53079-006	WIRE HARNESS; TOP EDGE SNR1 RECV	1	Fig. 10	53
060-53081-000	LAN CABLE	3	Fig. 25	27
060-55024-004	LEVER; JAM RELEASE	1	Fig. 08	15
060-55024-004	LEVER; JAM RELEASE	1	Fig. 16	15
060-65001-100	VERTICAL TRASFER GUIDE; DRIVE	1	Fig. 07	2
060-65002-106	SENSOR COVER; VERTICAL TRANSFER	2	Fig. 07	4
060-65009-100	VERTICAL TRASFER GUIDE; DRIVEN L	1	Fig. 07	8
060-65010-001	VERTICAL TRASFER GUIDE; DRIVEN U	1	Fig. 07	9
060-65011-008	SPRING; GUIDE PLATE R	1	Fig. 07	10
060-65012-004	DRIVEN ROLLER; L50	2	Fig. 07	5
060-65012-004	DRIVEN ROLLER; L50	4	Fig. 08	2
060-65012-004	DRIVEN ROLLER; L50	4	Fig. 09	36
060-65013-000	HOOK; JAM RELEASE	2	Fig. 07	15
060-65013-000	HOOK; JAM RELEASE	2	Fig. 08	17
060-65013-000	HOOK; JAM RELEASE	2	Fig. 09	45
060-65013-000	HOOK; JAM RELEASE	2	Fig. 14	16
060-65013-000	HOOK; JAM RELEASE	2	Fig. 16	16
060-65014-007	PLATE; SPRING	1	Fig. 07	16
060-65014-007	PLATE; SPRING	1	Fig. 09	43
060-65015-003	LEVER; JAM RELEASE	1	Fig. 07	18
060-65017-103	SEAL; JAM RELEASE	1	Fig. 07	20
060-65018-002	DE-ELECTRICITY BRUSH; 28	1	Fig. 07	22
060-65018-002	DE-ELECTRICITY BRUSH; 28	1	Fig. 18	15
060-65019-009	CONNECTOR COVER; V TRANSFER	1	Fig. 06	53
060-65019-009	CONNECTOR COVER; V TRANSFER	1	Fig. 07	23
060-65051-107	SHAFT; TRANSFER GUIDE R	1	Fig. 09	5
060-65054-009	TRAY TRANSFER L-GUIDE; DRIVE	1	Fig. 09	10
060-65057-008	SENSOR BRACKET; 60	1	Fig. 09	11
060-65061-005	SENSOR BRACKET; 90	1	Fig. 09	8
060-65062-001	FEED ROLLER; INTERNAL	2	Fig. 09	12
060-65064-004	ROLLER ; INTERNAL P-TRAN; DIAL	1	Fig. 09	14
060-65066-007	TENSIONER; L	1	Fig. 09	24
060-65070-004	BRACKET; WIRE HARNESS	1	Fig. 09	29
060-65074-107	SHAFT; JAM RELEASE	1	Fig. 08	16
060-65075-006	SEAL; RELEASE LEVER	1	Fig. 08	20
060-65076-002	TRAY TRANSFER GUIDE; DRIVEN L	1	Fig. 08	8
060-65077-009	TRAY TRANSFER GUIDE; DRIVEN U	1	Fig. 08	12
060-65079-109	MOVABLE COVER; INTERNAL P-TRAN	1	Fig. 08	14

INDEX

Part No.	Part Name	Q'ty	Fig.	No.
060-65080-000	TRAY TRANSFER U-GUIDE; DRIVEN	1	Fig. 09	51
060-65082-002	BRACKET; UNIT	4	Fig. 09	58
060-65084-005	LINK PLATE; JAM RELEASE	1	Fig. 09	54
060-65087-101	FULCRUM SHAFT; JAM RELEASE LINK	1	Fig. 09	56
060-65088-000	BRIDGE; LINK DRIVE	1	Fig. 09	57
060-65089-007	COVER; WIRE HARNESS	1	Fig. 09	62
060-65090-307	PLASTIC;DIAL; JAM RELEASE	1	Fig. 09	63
060-65090-307	PLASTIC;DIAL; JAM RELEASE	1	Fig. 10	13
060-65090-307	PLASTIC;DIAL; JAM RELEASE	1	Fig. 16	35
060-65090-307	PLASTIC;DIAL; JAM RELEASE	1	Fig. 18	13
060-65092-105	SHAFT; PICK-UP	1	Fig. 06	2
060-65093-101	SHAFT; PICK-UP ROLLER	1	Fig. 06	9
060-65094-000	STAY; INTERNAL PAPER FEED	1	Fig. 06	12
060-65096-003	SUB FRAME R; INTERNAL PAPER FEED	1	Fig. 06	13
060-65099-002	SUB FRAME F; INTERNAL PAPER FEED	1	Fig. 06	14
060-65100-000	GUIDE STAY R; INTERNAL P.-FEED	1	Fig. 06	15
060-65103-000	GUIDE STAY F; INTERNAL P.-FEED	1	Fig. 06	16
060-65104-006	FIXED BRACKET; STRIPPER	1	Fig. 06	19
060-65106-009	LEVER; STRIPPER PRESS RELEASE	1	Fig. 06	28
060-65107-005	LEVER; UPPER LIMIT ADJ	1	Fig. 06	32
060-65109-008	SCALE PLATE; UPPER LIMIT ADJ	1	Fig. 06	34
060-65110-006	PLATE; SCRAPER RELEASE	1	Fig. 06	35
060-65111-002	SPRING; SCREPER RELEASE	1	Fig. 06	36
060-65112-009	PLATE; SCRAPER RELEASE	1	Fig. 06	37
060-65113-005	GEAR COVER; SCRAPER RELEASE	1	Fig. 06	39
060-65115-008	ACTUATOR; UPPER LIMIT	1	Fig. 06	45
060-65116-004	ACTUATOR; PAPER DETECTION	1	Fig. 06	48
060-65117-000	BRACKET; PAPER DETECTION SENSOR	1	Fig. 06	50
060-65119-003	GEAR COVER; TRAY	1	Fig. 05	24
060-65120-109	TRAY END FENCE	1	Fig. 05	21
060-65121-008	SLIDER; PAPER SIZE DET	1	Fig. 05	25
060-65122-004	SPRING; PAPER SIZE DET	1	Fig. 05	26
060-65125-003	PROTECTION SHEET; GUIDE FENCE	2	Fig. 05	16
060-65127-006	CENTER GEAR; TRAY FENCE	1	Fig. 05	19
060-65128-002	SHAFT; CENTER GEAR	1	Fig. 05	20
060-65129-009	BOTTOM PLATE; TRAY	1	Fig. 05	7
060-65130-007	SHIELD PLATE; PAPER VOLUME	1	Fig. 05	11
060-65131-003	DRIVE GEAR; BOTTOM PLATE	1	Fig. 05	12
060-65133-006	SHAFT; BOTTOM PLATE; TRAY	1	Fig. 05	8
060-65142-102	BRACKET; TRAY ELEVATOR MOTOR	1	Fig. 05	43
060-65144-008	BRACKET; TRAY CATCH	1	Fig. 05	47
060-65145-004	SPRING; TRAY CATCH	2	Fig. 05	48
060-65146-000	TRAY RAIL R	1	Fig. 05	58
060-65149-000	BRACKET; TRAY P.-SIZE SNR	1	Fig. 05	62
060-65150-008	COVER; PAPER SIZE DET SENSOR	1	Fig. 05	63
060-65158-106	PAPER GUIDE	2	Fig. 05	18
060-65159-005	LEVER; GUIDE FENCE	1	Fig. 05	14
060-65173-008	SPRING; VERTICAL TRANSFER	1	Fig. 07	17
060-65173-008	SPRING; VERTICAL TRANSFER	1	Fig. 07	27
060-68002-000	HOLDER; INK CARTRIDGE	1	Fig. 21	2
060-68004-002	SENSOR PLATE; INK CARTRIDGE	5	Fig. 22	11
060-68005-009	INK BLOCK; CA	5	Fig. 22	4
060-68031-000	BRACKET; HEATER WIRE HARNESS	1	Fig. 24	9
060-68036-109	FLOATER	1	Fig. 23	9
060-68056-002	COVER; OF BALL	1	Fig. 23	10
060-68081-007	AIR RELEASE JOINT	2	Fig. 24	23
060-68089-008	TUBE JOINT; AIR	1	Fig. 24	35
060-68103-000	TUBE; F5/F3:190	1	Fig. 24	36
060-68107-006	TUBE; F8/F5:180	1	Fig. 24	45
060-68108-002	TUBE; F8/F5:255	1	Fig. 23	48

INDEX

Part No.	Part Name	Q'ty	Fig.	No.
060-68109-009	TUBE; F5/F3:150	16	Fig. 23	24
060-68115-009	TUBE JOINT; INK	5	Fig. 23	18
060-68118-008	HEAD LOWER TUBE_K; TANK	4	Fig. 23	29
060-68143-100	FITTING; MALE	5	Fig. 23	25
060-68144-106	PLUG; FEMALE	5	Fig. 23	26
060-69057-002	BRACKET; WIPER HP SENSOR	1	Fig. 28	15
060-69060-305	WIPER BLADE	6	Fig. 28	4
060-69069-000	BRACKET; LEAK DET SENSOR	1	Fig. 29	21
060-69070-009	FLOAT; WST TANK	1	Fig. 29	20
060-69090-000	GUIDE; MAINTENANCE ARM	2	Fig. 28	19
060-69131-008	MOTOR BRACKET; MAINTENANCE	1	Fig. 28	32
060-69135-100	BRACKET COVER; MAINTENANCE	1	Fig. 28	33
060-69136-107	LABEL; WST TANK	1	Fig. 29	2
060-75103-008	HEAD; SU	18	Fig. 25	1
060-75374-206	TRAY ELEVATOR MOTOR ASSY	1	Fig. 05	29
060-75391-003	EXTERNAL P.-FEED MOTOR ASSY	1	Fig. 04	52
060-75402-005	PAPER FEED TABLE UNIT	1	Fig. 02	40
060-75405-209	INTERNAL PAPER FEED UNIT	3	Fig. 06	1
060-75410-008	PRESSURE REGULATOR VALVE ASSY	2	Fig. 24	20
060-75414-003	MOTOR ASSY; 555	1	Fig. 06	40
060-75430-009	MOTOR; 555	2	Fig. 14	23
060-75430-009	MOTOR; 555	2	Fig. 16	41
060-75430-009	MOTOR; 555	1	Fig. 18	26
060-75431-005	SS ROLLER ASSY	1	Fig. 11	34
060-75441-108	SAFETY SW ASSY; FRONT DOOR	1	Fig. 33	47
060-75442-007	DRIVEN ROLLER ASSY	4	Fig. 08	23
060-75442-007	DRIVEN ROLLER ASSY	4	Fig. 09	2
060-75558-005	INK BUS_L ; SU	3	Fig. 25	5
060-75559-109	INK BUS_R; SU	3	Fig. 25	9
060-75569-007	STRIPPER PAD BASE; NON-COVER	1	Fig. 03	8
061-10016-008	BRACKETRR; OUTER COVER	1	Fig. 31	26
061-10027-000	COVER; WIRE HARNESS	1	Fig. 31	29
061-12021-009	SPRING HOOK; R	1	Fig. 01	32
061-12023-001	BRACKET; P VOLUME DET SENSOR	1	Fig. 01	38
061-12024-008	BRACKET_L_G_R	1	Fig. 03	41
061-12029-000	SPRING; P.-F. PRESS ADJ	1	Fig. 04	16
061-12030-008	ARM; P.-F. PRESSURE ADJ	1	Fig. 04	15
061-12031-101	STAY; 1ST PAPER FEED	1	Fig. 03	1
061-12033-104	COVER; P.-FEED	1	Fig. 04	7
061-12034-100	BRACKET; REGIST SENSOR	1	Fig. 10	23
061-12045-005	BRACKET; GUIDE ROLLER	1	Fig. 10	12
061-12047-008	SOUND ABSORBING SHEET; R-FEED	2	Fig. 04	43
061-12048-004	SOUND ABSORBING; INTERNAL PF	1	Fig. 08	21
061-12049-000	SOUND ABSORBING SHEET; L-FRAME L	1	Fig. 01	40
061-12050-009	SOUND ABSORBING SHEET; L-FRAME U	1	Fig. 01	41
061-12051-005	SOUND ABSORBING SHEET; 1ST LF	1	Fig. 04	44
061-12052-001	SOUND ABSORBING SHEET; 1ST LR	1	Fig. 04	45
061-12053-008	SOUND ABSORBING SHEET; 1ST UF	1	Fig. 04	46
061-12054-004	SOUND ABSORBING SHEET; 1ST UR	1	Fig. 04	47
061-12055-000	SOUND ABSORBING SHEET; 1ST PF F	1	Fig. 03	37
061-12056-007	SOUND ABSORBING SHEET; 1ST PF R	1	Fig. 03	38
061-12058-000	BRACKET; EXFEED	1	Fig. 03	42
061-12062-007	E SW PLATE 2	1	Fig. 04	18
061-12063-003	SUB-FRAME R; REGIST	1	Fig. 10	25
061-12064-000	SOUND ABSORBING; PU SHAFT	2	Fig. 04	48
061-12072-002	STOPPER; ELEVATOR SHAFT	1	Fig. 01	34
061-12076-008	Regist Roller	1	Fig. 10	16
061-12078-000	DE-ELECTRICITY BRUSH; RE-FEED	1	Fig. 10	54
061-17023-000	COOLING CHAMBER; F	1	Fig. 27	4
061-17024-006	COOLING CHAMBER; R1	1	Fig. 27	8

INDEX

Part No.	Part Name	Q'ty	Fig.	No.
061-17025-100	EXHAUST DUCT; R	1	Fig.27	11
061-17027-005	COOLING CHAMBER; R2	1	Fig.27	9
061-17028-001	SHAFT; BP ROLL UP	1	Fig.20	39
061-17030-006	BP ANGLE GAUGE PLATE	1	Fig.20	16
061-17031-002	SHAFT; BP ANGLE ADJUST	1	Fig.20	17
061-17034-001	BP ANGLE INDICATE PIN	1	Fig.20	18
061-17035-202	KG ROLLER; A3	7	Fig.26	8
061-17038-104	KG BASE; S	4	Fig.26	7
061-17039-100	KG BASE; L	2	Fig.26	4
061-17040-109	STAY LR; HDR	1	Fig.25	17
061-17042-101	STAY LF; HDR	1	Fig.25	16
061-17043-000	HH COVER; S	1	Fig.25	15
061-17044-104	BRACKET; HDR PCB	3	Fig.25	23
061-17045-003	HH_POSITION FIX PLATE	1	Fig.11	21
061-17046-000	BUS BRACKET; F	1	Fig.25	3
061-17047-006	BUS BRACKET; R	1	Fig.25	4
061-17048-002	INK BUS BRACKET A; F	3	Fig.25	6
061-17049-009	INK BUS BRACKET A; R	3	Fig.25	7
061-17050-007	INK BUS BRACKET B; F	3	Fig.25	10
061-17051-003	INK BUS BRACKET B; R	3	Fig.25	11
061-17052-000	TUBE GUARD L	2	Fig.25	13
061-17054-002	HEAD COVER; LF	3	Fig.27	22
061-17055-106	HEAD COVER; F	3	Fig.27	23
061-17056-005	STAY FOAM	3	Fig.27	20
061-17057-001	STAY FORM; R	1	Fig.27	21
061-17062-102	HH COVER; L	1	Fig.25	20
061-17064-008	PIN; HH	1	Fig.20	19
061-17065-004	STAY RF; HDR	1	Fig.25	18
061-17066-000	STAY RR; HDR	1	Fig.25	19
061-17067-007	HEAD HOLDER STAY	1	Fig.11	26
061-17071-004	REAR DUCT BASE	6	Fig.27	17
061-17080-003	EXHAUST DUCT; F	1	Fig.27	10
061-17082-006	AIR GUIDE PLATE	1	Fig.26	9
061-17083-002	FAN FOAM	2	Fig.27	7
061-17087-008	BASE; BP ANGLE SHAFT	1	Fig.20	14
061-17089-000	SPRING; BP ANGLE ADJ SHAFT	1	Fig.20	15
061-17090-009	SPONGE; EXHAUST DUCT	1	Fig.27	14
061-17094-004	SPONGE; REAR DUCT3	1	Fig.27	13
061-19001-003	F TENSION ROLLER PLATE A	1	Fig.12	9
061-19002-000	F TENSION ROLLER PLATE B	1	Fig.12	10
061-19003-006	BP FRAME	1	Fig.13	5
061-19005-106	REINFORCE PLATE; BP SIDE FRAME	1	Fig.12	20
061-19006-102	BP PAPER GUIDE	1	Fig.12	21
061-19012-005	WIRE HOOK B	1	Fig.12	38
061-19014-008	TENSIONER PLATE	1	Fig.12	29
061-19018-003	BRACKET; BP WIRE HARNESS	1	Fig.12	36
061-19019-204	BP FRONT COVER	1	Fig.12	60
061-19020-008	BP GUIDE RAIL	1	Fig.12	62
061-19024-208	Bracket ; Transportation Jig	1	Fig.11	28
061-19027-002	BP GUIDE PLATE	1	Fig.12	44
061-19031-000	BRACKET; BP LOWER SENSOR	1	Fig.12	65
061-19032-006	BRACKET; BP UPPER SENSOR	1	Fig.12	64
061-19033-002	SENSOR COVER	2	Fig.12	61
061-19036-001	BP SEAL A	1	Fig.13	8
061-19037-008	BP SEAL B	2	Fig.13	9
061-19038-004	BP SEAL C	2	Fig.13	10
061-19039-000	R TENSION ROLLER PLATE A	1	Fig.12	16
061-19040-009	R TENSION ROLLER PLATE B	1	Fig.12	15
061-19045-000	TENSION SPRING G	2	Fig.12	12
061-19050-004	BELT DRIVEN ROLLER 2	1	Fig.12	2

INDEX

Part No.	Part Name	Q'ty	Fig.	No.
061-19052-007	BELT DRIVE ROLLER 2	1	Fig. 12	5
061-34002-008	DOOR HINGE; L	2	Fig. 34	2
061-34005-007	FRONT DOOR HOOK; L	1	Fig. 34	5
061-34006-100	RELEASE STOPPER; COVER	6	Fig. 34	6
061-34007-204	FRONT COVER; R	1	Fig. 34	8
061-34008-103	DOOR HINGE; R	2	Fig. 34	9
061-34009-207	HEAD COOLING DUCT	1	Fig. 34	12
061-34010-108	FRONT DOOR HOOK; R	1	Fig. 34	13
061-34011-503	INNER COVER; L	1	Fig. 34	15
061-34012-003	PLATE; MAGNET CATCH	2	Fig. 34	7
061-34013-000	DOOR HINGE PLATE; INNER	4	Fig. 34	16
061-34014-405	INNER COVER; M	1	Fig. 34	19
061-34015-100	INNER COVER; LW	1	Fig. 34	20
061-34016-106	Inner Cover ; Head	1	Fig. 34	21
061-34017-005	FIX PLATE; CATCH	1	Fig. 34	22
061-34018-303	INNER COVER; R	1	Fig. 34	26
061-34019-202	INNER COVER; U	1	Fig. 34	28
061-34020-103	INNER COVER; LL	1	Fig. 34	29
061-34021-002	TRAY COVER	3	Fig. 34	32
061-34022-106	TRAY COVER; TRAY NUMBER	3	Fig. 34	36
061-34023-102	LOWER SKIRT; R	1	Fig. 34	39
061-34024-001	LOWER SKIRT; L	1	Fig. 34	40
061-34025-105	REAR COVER	1	Fig. 33	1
061-34026-306	PMS COVER	1	Fig. 33	2
061-34027-108	COOLING DUCT; INK TOWER	1	Fig. 33	3
061-34029-100	R SIDE COVER; U	1	Fig. 33	6
061-34030-109	R SIDE COVER; REAR	1	Fig. 33	7
061-34031-105	R SIDE COVER; M	1	Fig. 33	8
061-34032-101	R SIDE COVER; L	1	Fig. 33	9
061-34033-000	BRACKET U; R SIDE COVER	1	Fig. 33	11
061-34034-007	L SIDE COVER; REAR	1	Fig. 33	12
061-34035-100	L SIDE COVER; L	1	Fig. 33	15
061-34056-000	AIR SEAL; HEAD COOLING DUCT	2	Fig. 34	14
061-34057-104	TOP COVER; R	1	Fig. 33	4
061-34058-003	TOP COVER; L	1	Fig. 33	5
061-34059-000	SPRING; DOOR LOCK	1	Fig. 33	28
061-34060-008	CAM; DOOR LOCK	1	Fig. 33	23
061-34061-004	ROTOR; DOOR LOCK	1	Fig. 33	24
061-34062-000	NOCK; DOOR LOCK	1	Fig. 33	25
061-34063-007	ARM; SOLENOID	1	Fig. 33	29
061-34064-003	LOCK BRACKET	1	Fig. 33	21
061-34065-107	STAY; DOOR LOCK	1	Fig. 33	20
061-34088-000	SOUND ABSORBING; R SIDE COVER L	1	Fig. 33	32
061-34089-006	SOUND ABSORBING; R SIDE COVER M	1	Fig. 33	33
061-34090-004	SOUND ABSORBING; R SIDE COVER U1	1	Fig. 33	34
061-34091-000	SOUND ABSORBING; R SIDE COVER U2	1	Fig. 33	35
061-34092-007	SOUND ABSORBING; R SIDE COVER RA	1	Fig. 33	36
061-34093-003	SOUND ABSORBING; R SIDE COVER RB	1	Fig. 33	37
061-34094-000	SOUND ABSORBING; L SIDE COVER L	1	Fig. 33	38
061-34095-006	SOUND ABSORBING; INNER COVER L	1	Fig. 34	41
061-34096-002	SOUND ABSORBING; INNER COVER MA	1	Fig. 34	42
061-34097-009	SOUND ABSORBING; INNER COVER MB	1	Fig. 34	43
061-34098-005	SOUND ABSORBING; INNER COVER LW	1	Fig. 34	44
061-34099-001	SOUND ABSORBING; INNER COVER LL	1	Fig. 34	45
061-34100-000	SOUND ABSORBING; FRONT DOOR LA	2	Fig. 34	46
061-34101-006	SOUND ABSORBING; FRONT DOOR LB	1	Fig. 34	47
061-34102-002	SOUND ABSORBING; FRONT DOOR LC	1	Fig. 34	48
061-34103-009	SOUND ABSORBING; FRONT DOOR LE	1	Fig. 34	49
061-34104-005	SOUND ABSORBING; FRONT DOOR LF	1	Fig. 34	50
061-34105-001	SOUND ABSORBING; FRONT DOOR LG	1	Fig. 34	51

INDEX

Part No.	Part Name	Q'ty	Fig.	No.
061-34107-004	SOUND ABSORBING; FRONT DOOR RA	1	Fig. 34	52
061-34108-000	SOUND ABSORBING; FRONT DOOR RB	1	Fig. 34	53
061-34109-007	SOUND ABSORBING; FRONT DOOR RC	1	Fig. 34	54
061-34110-005	SOUND ABSORBING; FRONT DOOR RD	1	Fig. 34	55
061-34111-001	SOUND ABSORBING; FRONT DOOR RE	1	Fig. 34	56
061-34112-008	SOUND ABSORBING; FRONT DOOR RF	1	Fig. 34	57
061-34113-004	SOUND ABSORBING; REAR COVER A	1	Fig. 33	39
061-34114-000	SOUND ABSORBING; REAR COVER B	1	Fig. 33	40
061-34115-007	SOUND ABSORBING; REAR COVER C	1	Fig. 33	41
061-34116-003	SOUND ABSORBING; PMS COVER	1	Fig. 33	42
061-34117-000	SOUND ABSORBING; TOP COVER A	2	Fig. 33	43
061-34118-006	SOUND ABSORBING; TOP COVER B	2	Fig. 33	44
061-34120-000	SOUND ABSORBING; TOP COVER D	1	Fig. 33	45
061-34121-007	SOUND ABSORBING; TOP COVER E	1	Fig. 33	46
061-34122-003	SOUND ABSORBING; HEAD COL DUCT	1	Fig. 34	58
061-34134-001	SPRING; DOOR LOCK CAM	1	Fig. 33	26
061-34158-008	JAM RELEASE LABEL; V-TRANF	1	Fig. 34	59
061-34159-004	JAM RELEASE LABEL; U-TRANF	1	Fig. 34	24
061-34160-002	JAM RELEASE LABEL; P-ELEVATE	1	Fig. 34	27
061-34161-009	JAM RELEASE LABEL; FD EJECT	1	Fig. 34	31
061-34162-005	JAM RELEASE LABEL; SB-B	1	Fig. 34	17
061-34163-001	JAM RELEASE LABEL; P-ELEVATE IN	1	Fig. 34	25
061-34168-100	SEAL; TRAY NUMBER	1	Fig. 34	38
061-34169-000	ROTOR GUIDE	1	Fig. 33	27
061-34181-000	JAM RELEASE LABEL; BP	1	Fig. 34	18
061-37003-005	BASE BRACKET; PANEL	1	Fig. 32	11
061-37004-001	BASE PLATE; PANEL	1	Fig. 32	4
061-37005-008	REINFORCE PLATE; PANEL	1	Fig. 32	7
061-37007-000	BRACKET; PANEL	1	Fig. 32	6
061-37008-007	BRACKET; PANEL WIRE HARNESS	1	Fig. 32	12
061-37010-001	TEMPORARY BRACKET; PANEL	1	Fig. 32	13
061-37017-308	PANEL UNIT; H (G)	1	Fig. 32	1
061-50006-102	BRACKET; SUB-POWER SUPPLY	1	Fig. 31	10
061-50007-001	BRACKET; BODY-RELAY PCB	1	Fig. 30	7
061-50008-008	BRACKET L; I-PF PCB	1	Fig. 31	21
061-50009-101	BRACKET U; I-PF PCB	1	Fig. 31	22
061-50010-002	HINGE U; ENGINE	1	Fig. 30	9
061-50011-009	HINGE L; ENGINE	1	Fig. 30	10
061-50012-005	BRACKET L; ENGINE	1	Fig. 30	11
061-50013-001	HINGE U; PMS	1	Fig. 31	6
061-50014-008	HINGE L; PMS	1	Fig. 31	8
061-50015-004	BRACKET U; ENGINE	1	Fig. 30	12
061-50016-000	HINGE L; SUB-POWER	1	Fig. 31	17
061-50017-007	HINGE U; SUB-POWER	1	Fig. 31	18
061-50018-003	BRACKET U; SUB-POWER SUPPLY	1	Fig. 31	19
061-50019-000	BRACKET U; POWER SUPPLY	1	Fig. 30	15
061-50020-008	BRACKET U; PMS	1	Fig. 31	28
061-50022-000	BRACKETRL; OUTER COVER	1	Fig. 31	27
061-50023-007	BRACKET; WIRE HARNESS	1	Fig. 31	24
061-50025-107	HINGE BRACKET U; PMS	1	Fig. 31	7
061-50026-006	GASKET BRACKET V; ENGINE	1	Fig. 30	13
061-50027-100	GASKET BRACKET; SUB-POWER SUPPLY	1	Fig. 31	20
061-50028-009	BRACKET L; PMS	1	Fig. 31	9
061-50029-005	COVER; SUB-POWER SUPPLY	1	Fig. 31	11
061-50034-009	GROUND PLATE	1	Fig. 31	25
061-50036-001	GASKET BRACKET; ENGINE	2	Fig. 30	2
061-50053-003	INSULATION SHEET; SUB-POWER	2	Fig. 31	31
061-50063-106	STOPPER; PMS	1	Fig. 31	30
061-53001-101	USB CABLE; 1.93M	1	Fig. 32	3
061-53002-108	HDMI; 2.03M	1	Fig. 32	2

INDEX

Part No.	Part Name	Q'ty	Fig.	No.
061-53004-003	WIRE HARNESS; IP-HDR	1	Fig. 25	26
061-53006-006	WIRE HARNESS; P-POS. DETECT 2	1	Fig. 11	32
061-53007-002	WIRE HARNESS; BP INTERNAL	1	Fig. 12	67
061-53008-009	WIRE HARNESS; BP POSITION SENSOR	1	Fig. 12	14
061-53012-006	WIRE HARNESS; FD P-GUIDE UNIT	1	Fig. 19	16
061-53016-001	WIRE HARNESS; HEAD COOL FAN RLY	2	Fig. 27	25
061-53017-105	WIRE HARNESS; CA SNR RFID RLY	1	Fig. 21	26
061-53017-105	WIRE HARNESS; CA SNR RFID RLY	1	Fig. 22	33
061-53018-209	WIRE HARNESS; CARTRIDGE ACTU RLY	1	Fig. 21	27
061-53018-209	WIRE HARNESS; CARTRIDGE ACTU RLY	1	Fig. 22	34
061-53023-008	WIRE HARNESS; MACHINE CODE RFID	1	Fig. 30	19
061-53024-101	WIRE HARNESS; P-ELEV MOTOR RLY	1	Fig. 14	24
061-53027-208	WIRE HARNESS; SECONDARY POWER	1	Fig. 25	25
061-53029-103	WIRE HARNESS; HDR	1	Fig. 25	30
061-53034-000	WIRE HARNESS; TOP EDGE SNR2 RLY	1	Fig. 11	30
061-53035-006	WIRE HARNESS; INTER-PF SNR RLY	1	Fig. 08	22
061-53035-006	WIRE HARNESS; INTER-PF SNR RLY	1	Fig. 09	4
061-53036-002	WIRE HARNESS; INTER-PF SNR 1	1	Fig. 09	67
061-53038-005	WIRE HARNESS; WIPER RELAY	1	Fig. 28	50
061-53039-206	WIRE HARNESS; WIPER	1	Fig. 28	49
061-53040-000	WIRE HARNESS; MAINT SENSOR RLY	1	Fig. 28	48
061-53042-002	WIRE HARNESS; HORIZ PF MTR RLY 1	1	Fig. 15	8
061-53044-005	WIRE HARNESS; BP ELEV-MTR RLY	1	Fig. 20	57
061-53046-105	WIRE HARNESS; HDR-ENGINE	1	Fig. 25	28
061-53048-000	WIRE HARNESS; PFT U-LIMIT SENSOR	1	Fig. 04	51
061-53049-007	WIRE HARNESS; INK LEAK DETECTION	1	Fig. 29	23
061-53051-001	WIRE HARNESS; SWITCHBACK UNIT A	1	Fig. 16	53
061-53053-004	WIRE HARNESS; P VOL DET SENSOR	1	Fig. 01	44
061-53054-000	WIRE HARNESS; SWITCHBACK/RE-FEED	1	Fig. 16	51
061-53055-007	WIRE HARNESS; SWITCHBACK UNIT	1	Fig. 16	52
061-53056-003	WIRE HARNESS; SWITCHBACK UNIT B	1	Fig. 17	33
061-53057-000	WIRE HARNESS; BP W LOOSE SW RLY	1	Fig. 20	60
061-53058-006	WIRE HARNESS ; FACE_DOWN_TRAY G	1	Fig. 35	10
061-53065-002	WIRE HARNESS 2; HDR	1	Fig. 25	29
061-53066-009	WIRE HARNESS; PFT U-LIMIT SNR S	1	Fig. 04	50
061-53073-005	WIRE HARNESS; FD EJT FLIPPER RLY	1	Fig. 15	9
061-55003-004	SIDE FRAME R; PAPER ELEVATION	1	Fig. 14	2
061-55006-003	SIDE FRAME F; PAPER ELEVATION	1	Fig. 14	1
061-55008-103	PAPER ELEVATION GUIDE U; DRIVE	1	Fig. 14	3
061-55009-002	PAPER ELEVATION GUIDE L; DRIVE	1	Fig. 14	4
061-55012-100	PAPER ELEVATION GUIDE L; DRIVEN	1	Fig. 14	7
061-55013-107	PAPER ELEVATION GUIDE U; DRIVEN	1	Fig. 14	19
061-55014-200	JAM RELEASE SHAFT; P-ELEVATION	1	Fig. 14	15
061-55015-304	LEVER SPRING F7	1	Fig. 14	18
061-55016-009	BRACKET; U-TRANF DRIVE JOINT	1	Fig. 17	31
061-55017-005	SHAFT; U-TRANF DRIVE JOINT	1	Fig. 17	30
061-55022-009	BRACKET; FLIPPER SENSOR	1	Fig. 15	39
061-55023-005	GUIDE RAIL;UPPER TRANSFER	2	Fig. 15	37
061-55024-001	BRACKET; U-TRANF GUIDE RAIL	2	Fig. 15	38
061-55026-004	GUIDE; UPPER TRANSFER DRIVEN	2	Fig. 15	22
061-55027-108	JAM RELEASE LEVER HANDLE	1	Fig. 15	21
061-55028-104	UPPER TRANSFER GUIDE F; DRIVEN	1	Fig. 15	20
061-55029-100	UPPER TRANSFER GUIDE R; DRIVEN	1	Fig. 15	32
061-55030-001	BRACKET L; U-TRANF GUIDE RAIL	1	Fig. 15	35
061-55031-008	GUIDE RAIL;U-TRANF JAM RELEASE	2	Fig. 15	34
061-55032-004	BRACKET R; U-TRANF GUIDE RAIL	1	Fig. 15	36
061-55034-104	UPPER TRANSFER GUIDE; DRIVE	1	Fig. 15	14
061-55037-006	HOOK CATCH; UPPER TRANSFER	1	Fig. 15	16
061-55038-100	BRACKET; UPPER TRANSFER DRIVE	1	Fig. 15	17
061-55041-003	SIDE FRAME; UPPER TRANSFER	1	Fig. 15	15

INDEX

Part No.	Part Name	Q'ty	Fig.	No.
061-55073-002	REINFORCE PLATE; PAPER ELEVATION	1	Fig. 14	13
061-55077-008	SHAFT; U-TRANF DRIVEN GUIDE	2	Fig. 15	29
061-55079-000	R-SHAFT; U-TRANF DRIVEN GUIDE	1	Fig. 15	30
061-55080-106	LEVER SEAL; P-ELEVATION	1	Fig. 14	14
061-55082-001	SEAL; UPPER TRANSFER	1	Fig. 15	31
061-55085-000	BRACKET; UPPER TRANSFER POS-PIN	1	Fig. 15	18
061-62001-106	FRAME; PAPER EJECTION	1	Fig. 18	1
061-62004-105	FULCRUM BASE PLATE R	1	Fig. 18	3
061-62005-101	EJECTION GUIDE; DRIVE	1	Fig. 18	9
061-62006-205	DRIVE ROLLER D; EJECTION	1	Fig. 18	10
061-62008-208	EJECTION GUIDE; DRIVEN	1	Fig. 18	17
061-62009-107	FLIPPER; FD SB	1	Fig. 18	30
061-62011-004	GEAR; M1X14	1	Fig. 18	32
061-62012-108	LINK PLATE; FLIPPER SOLENOID	1	Fig. 18	33
061-62014-003	SWITCHBACK GUIDE L	1	Fig. 18	38
061-62015-107	SWITCHBACK GUIDE U	1	Fig. 18	37
061-62016-006	BRACKET_EXIT_R	1	Fig. 18	40
061-62017-100	EJECTION DRIVEN M-ROLLER D	2	Fig. 18	18
061-62018-106	EJECTION DRIVEN WING-ROLLER D	4	Fig. 18	20
061-62019-005	BRACKET; FENCE HP SENSOR	1	Fig. 19	6
061-62021-000	BRACKET; DE-ELECTRICITY BRUSH	1	Fig. 18	14
061-62023-002	FACE_DOWN_TRAY G	1	Fig. 35	1
061-62024-009	SWITCHBACK_GUIDE_INNER G	1	Fig. 35	4
061-62025-005	Sub Tray; FD G	1	Fig. 35	3
061-62027-008	Label ; Release Lever ; FD	1	Fig. 35	11
061-62028-004	SUPPORT TRAY ; FD G	1	Fig. 35	2
061-62029-000	EJECTION SUB FENCE; F G	1	Fig. 19	18
061-62030-009	EJECTION SUB FENCE; R G	1	Fig. 19	19
061-62031-200	END WALL G	1	Fig. 18	39
061-62032-001	FD FENCE R	1	Fig. 19	9
061-62033-008	FD FENCE F	1	Fig. 19	8
061-62034-209	FENCE UNIT BASE G	1	Fig. 19	1
061-62036-104	SEAL; JAM RELEASE DIAL FD	1	Fig. 18	16
061-64001-200	SWITCHBACK GUIDE ; DRIVE	1	Fig. 17	1
061-64004-102	RELEASE LEVER SEAL; SWITCHBACK B	1	Fig. 17	12
061-64005-001	UPPER TRANSFER DRIVE ROLLER 6	1	Fig. 17	16
061-64038-007	PULLEY COVER; SB	1	Fig. 16	1
061-64074-003	MOTOR COVER	1	Fig. 16	39
061-64079-102	TENSIONER PLATE; RE-FEED	1	Fig. 16	48
061-64100-004	SB DRIVE ROLLER	1	Fig. 16	38
061-64102-104	SEAL; JAM RELEASE DIAL SB-A	1	Fig. 16	36
061-64103-003	RE-FEED DRIVE ROLLER	1	Fig. 16	34
061-64105-006	SIDE FRAME F; SWITCHBACK A	1	Fig. 16	11
061-64110-107	BRACKET; JAM RELEASE SHAFT	1	Fig. 16	13
061-64111-006	RELEASE LEVER SHAFT; SB-A	1	Fig. 16	17
061-64112-100	SEAL; SB RELEASE LEVER	1	Fig. 16	18
061-64113-106	COVER; SWITCHBACK	1	Fig. 16	12
061-64114-005	SB GUIDE; DRIVE	1	Fig. 16	25
061-64119-104	SB GUIDE; L	1	Fig. 16	28
061-64120-005	SB GUIDE; DRIVEN	1	Fig. 16	21
061-64123-101	TENSIONER PLATE; SWITCHBACK B	1	Fig. 17	22
061-64127-000	BRACKET; SB SENSOR	1	Fig. 16	27
061-64130-000	SIDE FRAME R; SWITCHBACK A	1	Fig. 16	10
061-64132-100	TENSIONER PLATE; SB	1	Fig. 16	44
061-64135-100	BRACKET; SWITCHBACK B MOTOR	1	Fig. 17	18
061-64136-009	SB GUIDE; U	1	Fig. 16	29
061-64137-005	SENSOR BRACKET; OUT SENSOR	1	Fig. 17	5
061-64141-100	RELEASE LEVER; SWITCHBACK B	1	Fig. 17	10
061-64142-009	PULLEY COVER	1	Fig. 17	32
061-64144-001	PLASTIC;GUIDE SUPPORT	3	Fig. 16	19

INDEX

Part No.	Part Name	Q'ty	Fig.	No.
061-65006-001	STAY; U	1	Fig. 09	3
061-65007-008	TRAY TRANSFER U-GUIDE; DRIVE	1	Fig. 09	7
061-65009-000	ROLLER ; INTERNAL P-TRAN; MERGE	1	Fig. 09	15
061-65036-202	P MERGE GUIDE; DRIVEN	1	Fig. 08	5
061-65037-209	COVER; INTERNAL P FEED	1	Fig. 08	13
061-65041-001	TRAY 1 GUIDE; DRIVEN	1	Fig. 09	39
061-65042-008	JAM RELEASE SHAFT	1	Fig. 09	42
061-65043-101	TRAY 1 LEVER	1	Fig. 09	46
061-65043-101	TRAY 1 LEVER	1	Fig. 14	17
061-65044-000	TRAY 1 GUIDE; U	1	Fig. 09	48
061-65045-104	TRAY 1 HINGE; F	1	Fig. 09	49
061-65047-107	TRAY 1 HINGE; R	1	Fig. 09	50
061-65050-000	COVER; MAINTENANCE ARM	1	Fig. 05	64
061-65052-100	JAM DIAL RELEASE SEAL; INTER PF	1	Fig. 09	64
061-65053-000	LABEL; TRAY 1 JAM RELEASE	1	Fig. 09	65
061-65054-006	COVER PLATE; INTERNAL P FEED	1	Fig. 06	52
061-65055-002	FIX PLATE A	1	Fig. 09	60
061-65058-109	TENSIONER; U	1	Fig. 09	27
061-65061-002	TRAY 1 GUIDE; DRIVE	1	Fig. 09	33
061-65065-008	PROTECTION SHEET	2	Fig. 09	61
061-65067-000	PLATE; JAM RELEASE HOOK	1	Fig. 09	47
061-65074-007	SLIP SHEET; VERTICAL TRANSFER	1	Fig. 07	25
061-68001-000	CAM SHAFT; INK CARTRIDGE	1	Fig. 21	12
061-68002-007	SHIELD PLATE; CAM HP SENSOR	1	Fig. 21	16
061-68003-003	BASE PLATE; INK CARTRIDGE HOLDER	1	Fig. 21	9
061-68004-000	REINFORCE PLATE; INK CARTRIDGE	1	Fig. 21	10
061-68005-006	CA PAN	1	Fig. 22	7
061-68006-100	PLATE; INK CARTRIDGE HOLDER	1	Fig. 21	11
061-68007-009	BRACKET; INK CARTRIDGE HOLDER	2	Fig. 21	17
061-68012-002	BRACKET; INK SUPPLY VALVE	1	Fig. 22	13
061-68024-000	JOINT; 5P	1	Fig. 22	24
061-68032-003	ARM PLATE; INK CARTRIDGE	1	Fig. 21	24
061-68035-002	INK TOWER FRAME B; 5C	1	Fig. 24	6
061-68036-106	TANK STAY U; 5C	1	Fig. 24	7
061-68037-005	TANK STAY L; 5C	1	Fig. 24	8
061-68039-008	INK TOWER FULCRUM PLATE; 5C	2	Fig. 24	11
061-68052-004	INK TOWER BRACKET LU; 5C	1	Fig. 24	2
061-68088-009	OF PAN; 5C	1	Fig. 23	8
061-68098-004	INK TOWER BRACKET LL; 5C	1	Fig. 24	1
061-68101-005	DRAIN PAN; 5C	1	Fig. 23	11
061-68102-001	TRAY; INK VALVE	1	Fig. 23	12
061-68144-006	BASE PLATE R; CA PAN	1	Fig. 22	8
061-68145-002	BASE PLATE F; CA PAN	1	Fig. 22	9
061-68148-001	STAY; INK SUPPLY VALVE	2	Fig. 22	23
061-68149-105	INK TOWER FRAME L; 5C	1	Fig. 24	5
061-68150-006	INK TOWER FRAME R; 5C	1	Fig. 24	4
061-68151-002	INK TOWER FRAME T; 5C	1	Fig. 24	10
061-68154-001	BRACKET; AIR PUMP	1	Fig. 24	12
061-68155-008	SOUND ABSORBING SHEET; INK PUMP	1	Fig. 24	13
061-68156-004	INK SUPPLY TUBE K; U	1	Fig. 22	31
061-68157-000	INK SUPPLY TUBE KM; M	2	Fig. 22	19
061-68158-007	INK SUPPLY TUBE K; L	1	Fig. 22	26
061-68159-003	INK SUPPLY TUBE C; U	1	Fig. 22	16
061-68160-001	INK SUPPLY TUBE C; M	1	Fig. 22	17
061-68161-008	INK SUPPLY TUBE C; L	1	Fig. 22	27
061-68162-004	INK SUPPLY TUBE M; U	1	Fig. 22	18
061-68163-000	INK SUPPLY TUBE M; L	1	Fig. 22	28
061-68164-007	INK SUPPLY TUBE Y; U	1	Fig. 22	20
061-68165-003	INK SUPPLY TUBE YG; M	2	Fig. 22	21
061-68166-000	INK SUPPLY TUBE Y; L	1	Fig. 22	29

INDEX

Part No.	Part Name	Q'ty	Fig.	No.
061-68167-006	INK SUPPLY TUBE G; U	1	Fig. 22	22
061-68169-009	INK SUPPLY TUBE G; L	1	Fig. 22	30
061-68170-007	TUBE; F8/F5;460	1	Fig. 23	49
061-68174-002	INK TUBE UPPERSTREAM_K; 5C	1	Fig. 23	16
061-68175-106	INK TUBE DOWNSTREAM_K; 5C	1	Fig. 23	7
061-68176-005	INK TUBE UPPERSTREAM_C; 5C	1	Fig. 23	27
061-68177-001	INK TUBE DOWNSTREAM_C; 5C	1	Fig. 23	28
061-68178-008	INK TUBE UPPERSTREAM_M; 5C	1	Fig. 23	30
061-68179-004	INK TUBE DOWNSTREAM_M; 5C	1	Fig. 23	31
061-68180-002	INK TUBE UPPERSTREAM_Y; 5C	1	Fig. 23	32
061-68181-009	INK TUBE DOWNSTREAM_Y; 5C	1	Fig. 23	33
061-68182-005	INK TUBE UPPERSTREAM_G; 5C	1	Fig. 23	34
061-68183-001	INK TUBE DOWNSTREAM_G; 5C	1	Fig. 23	35
061-68185-004	INK TUBE DOWNSTREAM_K TANK; 5C	1	Fig. 23	23
061-68192-108	INK TOWER BRACKET R; 5C	2	Fig. 24	3
061-68212-001	INK TUBE_K1; 5C	2	Fig. 23	21
061-68213-008	INK TUBE_K2; 5C	2	Fig. 23	22
061-68214-004	TUBE; F8/F5; 55	2	Fig. 24	38
061-68216-007	TUBE; F5/F3; 80	1	Fig. 24	39
061-68219-006	TUBE JOINT S; INK	2	Fig. 23	17
061-68221-000	BRACKET; INK PUMP PCB; 4C	1	Fig. 24	14
061-68222-007	BRACKET; INK PUMP PCB; 1C	1	Fig. 24	16
061-68223-003	TUBE; F8/F5; 80	1	Fig. 24	41
061-68226-100	PROTECTION SHEET; INK PUMP PCB	5	Fig. 24	17
061-69001-209	INK PAN	1	Fig. 28	1
061-69002-000	WIPER BASE	1	Fig. 28	2
061-69003-007	WIPER PLATE	1	Fig. 28	3
061-69004-003	KG LIFTER	4	Fig. 28	14
061-69006-006	ARM SHAFT	1	Fig. 28	16
061-69008-106	GUIDE PLATE; F	1	Fig. 28	28
061-69009-005	BRACKET; OPEN POS. SENSOR	2	Fig. 28	30
061-69010-003	MAINTENANCE SLIDER	2	Fig. 28	18
061-69011-000	MAINTENANCE ARM	2	Fig. 28	27
061-69012-103	WST TANK HOLDER	1	Fig. 29	5
061-69014-009	TRAY; WST TANK	1	Fig. 29	19
061-69021-005	WST TUBE; MAINTENANCE	1	Fig. 29	12
061-69022-001	WST TUBE; INK TOWER	1	Fig. 29	15
061-69023-008	WST TUBE; JOINT	1	Fig. 29	13
061-69025-000	INK ABSORPTIVE SHHET; RR	1	Fig. 29	22
061-69026-007	GEAR COVER	1	Fig. 28	45
061-69027-003	TUBE GUIDE; WST	1	Fig. 29	18
061-69028-000	PIN F; HINGE	1	Fig. 28	22
061-69029-006	ARM GUIDE SHAFT	1	Fig. 28	20
061-69030-004	INK PAN GUIDE	1	Fig. 28	31
061-75114-503	UPPER TRANSFER UNIT-GD; SU	1	Fig. 15	41
061-75115-208	MAINTENANCE UNIT-GD; SU	1	Fig. 28	51
061-75116-000	WST TANK ASSY-GD; SU	1	Fig. 29	1
061-75116-000	WST TANK ASSY-GD; SU	1	Fig. 29	25
061-75117-006	REGIST ROLLER ASSY-GD; SU	1	Fig. 10	55
061-75118-002	PAPER POSITION DET ASSY-GD;SU	1	Fig. 11	33
061-75119-203	SWITCHBACK UNIT B; SU	1	Fig. 17	34
061-75120-503	SWITCHBACK A UNIT; SU	1	Fig. 16	54
061-75123-006	KG BASE S ASSY	4	Fig. 26	10
061-75124-100	KG BASE L ASSY	2	Fig. 26	11
061-75125-203	PAPER ELEVATION UNIT	1	Fig. 14	29
061-75130-002	AIR FILTER ASSY	1	Fig. 24	24
061-75131-106	AIR VALVE ASSY	2	Fig. 24	26
061-75132-005	AIR PUMP ASSY	1	Fig. 24	34
061-75133-109	FLOW CONTROL VALVE ASSY	1	Fig. 24	27
061-75134-105	INK SUPPLY VALVE K ASSY	1	Fig. 22	35

INDEX

Part No.	Part Name	Q'ty	Fig.	No.
061-75135-101	INK SUPPLY VALVE C ASSY	1	Fig. 22	36
061-75136-108	INK SUPPLY VALVE M ASSY	1	Fig. 22	37
061-75137-104	INK SUPPLY VALVE Y ASSY	1	Fig. 22	38
061-75138-100	INK SUPPLY VALVE G ASSY	1	Fig. 22	39
061-75139-107	COMMON AIR CHAMBER ASSY; P	1	Fig. 24	32
061-75140-008	COMMON AIR CHAMBER ASSY; NP	1	Fig. 24	33
061-75141-004	EXIT HOSE ASSY; INKPAN	1	Fig. 28	54
061-75142-000	WST CAP SET	1	Fig. 29	26
061-75143-201	INK BUS; L	3	Fig. 25	31
061-75144-305	INK BUS; R	3	Fig. 25	32
061-75145-107	VERTICAL TRANSFER UNIT	1	Fig. 07	1
061-75146-006	GUIDE ROLLER ASSY	1	Fig. 10	56
061-75147-100	BP DRIVEN ROLLER ASSY	1	Fig. 12	48
061-75148-009	BP MOTOR ASSY	1	Fig. 12	33
061-75149-005	COOLING FAN ASSY; F	1	Fig. 27	26
061-75150-003	COOLING FAN ASSY; R	1	Fig. 27	27
061-75151-000	WIPE ASSY-GD; SU	1	Fig. 28	52
061-75152-103	WIPER MOTOR ASSY	2	Fig. 28	8
061-75153-002	REGIST MOTOR ASSY; SU	1	Fig. 10	48
061-75154-009	BP EL MOTOR ASSY-GD	1	Fig. 20	64
061-75155-005	MAINTENANCE DRIVE ASSY-GD; SU	1	Fig. 28	53
061-75156-001	INK PAN DRIVE MOTOR	1	Fig. 28	44
061-75157-202	FRONT DOOR LOCK SOLENOID ASSY	1	Fig. 33	48
061-75158-403	PRE & NEG-PRESSURE TANK ASSY II	5	Fig. 23	1
061-75259-005	INK CARTRIDGE JOINT ASSY_K; SU	1	Fig. 22	40
061-75260-003	INK CARTRIDGE JOINT ASSY_C; SU	1	Fig. 22	41
061-75261-000	INK CARTRIDGE JOINT ASSY_M; SU	1	Fig. 22	42
061-75262-006	INK CARTRIDGE JOINT ASSY_Y; SU	1	Fig. 22	43
061-75263-002	INK CARTRIDGE JOINT ASSY_G; SU	1	Fig. 22	44
067-50006-106	PCB;X5-HDR;A3	3	Fig. 25	24
067-50009-008	PCB;X5-BODY	1	Fig. 30	8
067-50010-006	PCB;X5-I-PF	1	Fig. 31	23
067-53030-008	WIRE;INNER PU MOTOR RELAY 2	1	Fig. 06	8
067-65009-004	PLASTIC;FRONT FENCE;TRAY	1	Fig. 05	13
067-65010-002	PLASTIC;MAIN UNIT;TRAY	1	Fig. 05	2
067-65011-009	PLASTIC;REAR FENCE;TRAY	1	Fig. 05	17
067-75125-002	PMS PCB; FT	1	Fig. 31	14
067-75318-005	PAPER FEED TRAY; SU	1	Fig. 05	1
067-75383-001	PCB;X5-ENGINE;H	1	Fig. 30	5
068-50007-207	PSU;PS33-NWW	1	Fig. 30	22
068-50008-009	ASSY;HTR-CTR-UNIT	1	Fig. 30	23
068-53003-008	WIRE;TANK BEFORE NEAR FULL SNR RLY	1	Fig. 29	24
068-53004-004	WIRE;FD EJECTION UNIT 2	1	Fig. 18	43
068-53005-000	WIRE;FD FEED SENSOR RLY 2	1	Fig. 18	44
068-55004-109	ROLLER;DRIVEN ASSY	4	Fig. 14	8
068-55004-109	ROLLER;DRIVEN ASSY	6	Fig. 15	26
068-55013-108	ROLLER;ASCENDING TRANSFER	2	Fig. 14	20
068-55014-104	ROLLER;UPPER TRANSFER 1	1	Fig. 15	3
068-55015-100	ROLLER;UPPER TRANSFER 2	2	Fig. 15	1
068-64001-007	ROLLER;DRIVEN 9	4	Fig. 16	4
068-64001-007	ROLLER;DRIVEN 9	2	Fig. 17	7
068-75002-005	MISC;SSD-GL;SU	1	Fig. 31	15
068-75010-008	STRIPPER II ASSY	1	Fig. 03	50
068-75011-004	TRANSFER BELT II ; SU	1	Fig. 12	19
068-75012-000	BELT PLATEN UNIT II; SU	1	Fig. 12	1
068-75012-000	BELT PLATEN UNIT II; SU	1	Fig. 13	18
068-75013-007	FD EJECTION UNIT-GL ; SU	1	Fig. 18	45
068-75014-003	FD FENCE UNIT-GL; SU	1	Fig. 19	17
068-75015-000	INK TOWER UNIT-GI ; SU	1	Fig. 23	3
068-75015-000	INK TOWER UNIT-GI ; SU	1	Fig. 24	46

INDEX

Part No.	Part Name	Q'ty	Fig.	No.
068-75016-006	CONTROLLER PCB UNIT ; H2	1	Fig. 31	32
068-75017-002	INTERNAL PAPER TRANSFER UNIT-GL:SU	1	Fig. 08	24
068-75017-002	INTERNAL PAPER TRANSFER UNIT-GL:SU	1	Fig. 09	1
068-75018-009	UPPER TRANSFER MOTOR 2 ASSY-GL ; S	1	Fig. 15	7
068-75018-009	UPPER TRANSFER MOTOR 2 ASSY-GL ; S	1	Fig. 17	35
068-75019-005	FRONT DOOR L ASSY-GL ; SU	1	Fig. 34	1
068-75020-003	BP MOVABLE WIRE HARNESS-GL ; SU	1	Fig. 12	68
444-30008-100	SENSOR; LG-248NL1	1	Fig. 01	36
444-30008-100	SENSOR; LG-248NL1	3	Fig. 04	1
444-30008-100	SENSOR; LG-248NL1	4	Fig. 05	61
444-30008-100	SENSOR; LG-248NL1	2	Fig. 06	33
444-30008-100	SENSOR; LG-248NL1	1	Fig. 19	7
444-30008-100	SENSOR; LG-248NL1	5	Fig. 22	10
444-30008-100	SENSOR; LG-248NL1	3	Fig. 28	13
444-30008-100	SENSOR; LG-248NL1	3	Fig. 29	8
444-30008-100	SENSOR; LG-248NL1	1	Fig. 33	30
444-30010-007	SENSOR; LG285D1	1	Fig. 05	52
444-30017-206	OJ-611-A8	1	Fig. 12	18
444-30019-004	SENSOR; LG248D2	1	Fig. 11	11
444-33010-008	PS119ED1/SENSOR/PS119ED1	1	Fig. 18	5
444-33012-000	SENSOR; GP2A210LCSJF	1	Fig. 15	40
444-33013-007	SENSOR ; PS124TD1	2	Fig. 02	4
444-33013-007	SENSOR ; PS124TD1	1	Fig. 07	3
444-33013-007	SENSOR ; PS124TD1	1	Fig. 08	6
444-33013-007	SENSOR ; PS124TD1	3	Fig. 09	9
444-33013-007	SENSOR ; PS124TD1	1	Fig. 14	5
444-33013-007	SENSOR ; PS124TD1	2	Fig. 16	8
444-33013-007	SENSOR ; PS124TD1	1	Fig. 17	4
444-33013-007	SENSOR ; PS124TD1	1	Fig. 18	24
444-33013-007	SENSOR ; PS124TD1	1	Fig. 35	9
444-40000-000	SENSOR ; LG283L1-RS	2	Fig. 01	39
444-43010-103	RPR-220-PCB	1	Fig. 11	17
451-00010-007	MOTOR; DNQ10M79W25F	1	Fig. 20	55
451-00012-107	MOTOR; BH80BT56-02	1	Fig. 12	34
451-00017-001	MOTOR; DNQ10MF6W22F	1	Fig. 17	19
451-20006-308	SOLENOID WR2	5	Fig. 22	15
451-20008-300	SOLENOID_SR3	3	Fig. 24	28
451-20011-000	FAN; E1033L24BCYP-28	4	Fig. 13	13
451-20017-105	FAN; E1033L24BEYP-30	4	Fig. 27	5
451-40017-004	SENSOR; LG285L2	2	Fig. 12	63
451-40017-004	SENSOR; LG285L2	1	Fig. 21	22
451-40020-005	SENSOR; OF-11T-N23; (LOWER)	2	Fig. 10	32
451-40021-001	SENSOR (RCV); OF-11R1-N23	2	Fig. 10	34
451-50004-008	CIS; U8R216-6028	2	Fig. 11	29
451-50005-004	SUB-POWER SUPPLY; SWF240P-24	2	Fig. 31	13
451-60025-003	GROUND WIRE; 200	1	Fig. 12	37
451-60046-000	WIRE SADDLE; LWS-1316A	2	Fig. 25	21
451-60046-000	WIRE SADDLE; LWS-1316A	1	Fig. 27	16
488-90030-303	GROUND WIRE ; J3-55-R3	1	Fig. 07	26
490-20007-205	MOTOR/TD3357-240	1	Fig. 04	33
490-20007-205	MOTOR/TD3357-240	1	Fig. 09	16
490-33015-100	MOTOR; PM42L-048-ZVS6	1	Fig. 19	5
490-50009-008	SOLENOID; TDS-10AL-38	1	Fig. 33	31
490-50011-100	SOLENOID; TDS-09AL-508	1	Fig. 18	35
600-08168-205	BEARING; SC890ZZNR	4	Fig. 12	7
600-50057-006	BEARING; 2F-FLAW678AZZ1/1K	2	Fig. 01	4
600-50057-006	BEARING; 2F-FLAW678AZZ1/1K	2	Fig. 07	7
600-50057-006	BEARING; 2F-FLAW678AZZ1/1K	8	Fig. 09	13
600-50057-006	BEARING; 2F-FLAW678AZZ1/1K	2	Fig. 10	10
600-50057-006	BEARING; 2F-FLAW678AZZ1/1K	4	Fig. 14	21

INDEX

Part No.	Part Name	Q'ty	Fig.	No.
600-50057-006	BEARING; 2F-FLAW678AZZ1/1K	6	Fig. 15	2
600-50057-006	BEARING; 2F-FLAW678AZZ1/1K	4	Fig. 16	37
600-50057-006	BEARING; 2F-FLAW678AZZ1/1K	2	Fig. 17	15
600-50057-006	BEARING; 2F-FLAW678AZZ1/1K	2	Fig. 18	11
601-10195-004	BEARING; DDLF-1910ZZR	2	Fig. 10	18
601-10195-004	BEARING; DDLF-1910ZZR	4	Fig. 12	4
607-10006-000	METAL; F6X8X4; 10X1	2	Fig. 02	35
607-11003-005	METAL; F4X6/5. 6X5. 9; 9X1	2	Fig. 18	31
607-15013-005	METAL; F8 X 12/10 X 12; 12 X 2	1	Fig. 06	51
607-15016-004	METAL; F8X11/10X5. 5	1	Fig. 04	38
607-15016-004	METAL; F8X11/10X5. 5	2	Fig. 17	26
607-16001-000	METAL; F10X15/14X6; 18X2	3	Fig. 04	26
607-16001-000	METAL; F10X15/14X6; 18X2	2	Fig. 10	11
607-60002-006	METAL; 8	4	Fig. 06	4
610-10011-000	ONE WAY HINGE	1	Fig. 02	30
611-90009-008	PULLEY; P16-S2M-6. 3	2	Fig. 16	40
611-90009-008	PULLEY; P16-S2M-6. 3	1	Fig. 18	25
611-90028-002	PULLEY; S3M-18	1	Fig. 15	5
611-90030-104	PULLEY; S3M-16	2	Fig. 15	11
611-90032-000	PULLEY ; S2M-28	1	Fig. 09	17
611-90035-009	PULLEY; 21S2M10	1	Fig. 12	35
611-90036-005	PULLEY; 59S2M10	1	Fig. 12	31
611-90045-004	PULLEY; S2M-25X12	1	Fig. 17	20
612-00008-102	GEAR ; M1X20X8	3	Fig. 06	5
612-10009-107	GEAR; M1X24	1	Fig. 01	13
612-10021-107	GEAR; MO. 8X33X7. 4	1	Fig. 04	30
612-10023-002	GEAR; M1X50X6	1	Fig. 02	3
612-10060-005	GEAR ; M1X36X4	2	Fig. 05	23
612-10066-003	GEAR; M1X20X4	1	Fig. 18	12
612-10067-000	GEAR; M1X48+M1X18	1	Fig. 19	4
612-10068-006	GEAR; MO. 5X90+M1X26	1	Fig. 19	3
612-11300-107	GEAR; MO. 8X34X8. 5	2	Fig. 04	25
612-12315-000	GEAR; M1X31X6	1	Fig. 06	44
612-80006-008	GEAR; MO. 8X25+MO. 8X14	1	Fig. 05	32
612-80011-001	GEAR; MO. 8X23+MO. 8X14	1	Fig. 01	16
612-80011-001	GEAR; MO. 8X23+MO. 8X14	1	Fig. 28	37
612-80012-008	GEAR; MO. 8X30+MO. 8X14	1	Fig. 01	15
612-80012-008	GEAR; MO. 8X30+MO. 8X14	1	Fig. 05	33
612-80013-004	GEAR; MO. 8X29+M1X14	1	Fig. 01	14
612-80052-000	GEAR ; MO. 8X31+MO. 8X14	1	Fig. 05	31
613-10006-008	PULLEY; M1X20+32S2M	1	Fig. 18	27
613-10013-004	GEAR PULLEY; M1X21+33S2M	1	Fig. 16	50
621-00010-009	BELT; 40-S2M-132	1	Fig. 18	29
621-00011-005	BELT; 80-S2M-230	1	Fig. 12	32
621-00013-008	BELT ; 70-S2M-202	1	Fig. 10	46
634-00005-003	COLLAR	2	Fig. 12	46
635-00001-005	STEPPED SCREW ; F6X1. 8 ; M3X4	1	Fig. 10	50
635-00002-001	STEPPED SCREW: 6X2. 2; M4X2. 5	2	Fig. 03	11
635-00002-001	STEPPED SCREW: 6X2. 2; M4X2. 5	1	Fig. 06	31
635-00004-004	STEPPED SCREW ; F8X2. 3 ; M4X4. 4	6	Fig. 04	11
635-00004-004	STEPPED SCREW ; F8X2. 3 ; M4X4. 4	4	Fig. 06	29
635-00424-003	THUMBSCREW; M4x1	2	Fig. 21	25
635-10002-107	STEPPED SCREW; F4X4. 5; M3X4	8	Fig. 13	12
635-10008-105	STEPPED SCREW; F6X5; M3X5	1	Fig. 16	20
635-17423-108	STEPPED SCREW; F4X2. 2; M3X4	2	Fig. 10	28
635-17523-102	STEPPED SCREW; DIA. 5*2; M3*3	6	Fig. 13	4
635-17613-209	STEP SCREW; D6X1. 5; M3X4. 5	2	Fig. 16	47
638-90002-104	WASHER; 6. 5X15X0. 2	1	Fig. 03	13
639-00007-002	WASHER ; 8X22X1. 5	1	Fig. 18	28
639-00008-009	WASHER; 6X19X1P	2	Fig. 15	12

INDEX

Part No.	Part Name	Q'ty	Fig.	No.
651-00018-009	METALF8X13/12X5;16X2	1	Fig. 01	31
651-00018-009	METALF8X13/12X5;16X2	2	Fig. 20	38
651-00018-009	METALF8X13/12X5;16X2	1	Fig. 28	17
651-00020-003	FBx12/10. 8x14; 16x2	1	Fig. 04	37
651-00025-005	P NUT	20	Fig. 13	11
651-00025-005	P NUT	2	Fig. 23	15
651-00025-005	P NUT	10	Fig. 28	6
651-00027-008	METAL; F696ZZ1	2	Fig. 20	45
651-00031-005	SCREW; SHOLDEK 4143	1	Fig. 11	24
651-00037-003	HEAD SCREW	1	Fig. 10	19
651-00055-001	WORM WHEEL	1	Fig. 20	46
651-00056-008	GEAR; MANUAL	1	Fig. 20	53
651-00062-008	WORM GEAR	1	Fig. 20	43
651-00082-009	GEAR ; MO. 8X37+M1X15G	1	Fig. 05	35
651-00097-006	WASHER ; 6. 2X9. 5X0. 5	4	Fig. 18	19
651-00098-002	BEARING ; 685ZZA	8	Fig. 14	10
651-00098-002	BEARING ; 685ZZA	12	Fig. 15	42
651-00098-002	BEARING ; 685ZZA	8	Fig. 16	22
651-00098-002	BEARING ; 685ZZA	4	Fig. 17	14
651-00098-002	BEARING ; 685ZZA	4	Fig. 18	46
651-00195-008	BELT; 40-S2M-144	1	Fig. 14	27
651-00199-003	GEAR; M1X22	1	Fig. 07	21
651-00200-001	PULLEY; 45S2M	2	Fig. 14	25
651-00200-001	PULLEY; 45S2M	2	Fig. 16	42
651-00200-001	PULLEY; 45S2M	1	Fig. 17	27
651-00219-004	BELT; 60-S2M-284	1	Fig. 09	18
651-00220-002	PULLEY; 32S2M	2	Fig. 09	20
651-00247-008	GEAR; MO. 8X41+M1X14	1	Fig. 28	35
651-00248-004	GEAR; MO. 8X35+MO. 8X18	2	Fig. 28	34
651-00249-000	GEAR; M1X38	1	Fig. 28	36
651-00252-001	GEAR; MO. 8X40+M1X22	1	Fig. 06	43
651-00254-004	GEAR; BP EL MOTOR	1	Fig. 20	48
651-00255-000	GEAR; M1X16	1	Fig. 02	11
651-00256-007	GEAR; M1X20	1	Fig. 02	31
651-00257-003	GEAR;m0. 8X36+m0. 8X14G	1	Fig. 05	34
651-00258-000	BELT; 60-S3M-120	1	Fig. 15	6
651-00259-006	GEAR PULLEY; MO. 8X30+16S3M	1	Fig. 15	4
651-00260-004	BELT; 60-S3M-318	1	Fig. 15	13
651-00262-007	BELT; 60-S2M-248	1	Fig. 09	22
651-00263-003	PULLEY A; 32S2M+M08X38	1	Fig. 09	23
651-00264-000	GEAR; MO. 8X38	1	Fig. 09	21
651-00265-006	PULLEY B; 32S2M+M08X38	1	Fig. 09	19
651-00266-002	GEAR; M1X34+45S2M	1	Fig. 17	21
651-00267-009	BELT; 60-S2M-344	1	Fig. 17	25
651-00269-001	BELT; 60-S2M-340	1	Fig. 16	43
651-00270-000	GEAR; M1X34X8. 2	1	Fig. 17	17
651-00272-002	BELT; 40-S2M-118	1	Fig. 14	26
651-00274-005	IDLER PULLEY; 16	1	Fig. 09	26
651-00278-000	GEAR; M1X18	1	Fig. 04	34
651-00279-007	GEAR ASSY; M1X35	1	Fig. 04	42
651-00281-001	GEAR ASSY; M1X46	1	Fig. 04	40
651-00283-004	GEAR ASSY; M1X28+M1X36	1	Fig. 04	39
651-00296-106	BELT; 60-S2M-216	1	Fig. 16	49
651-00304-001	TORQUE LIMITTER 8000	2	Fig. 20	34
651-00310-001	STEPPED SCREW; 6X4;M4X8. 5	2	Fig. 05	57
651-00312-004	GEAR; M1X26	1	Fig. 10	44
651-00315-003	PULLEY; 1X26+54S2M	1	Fig. 10	49
651-00318-002	BELT; 70-S2M-176	1	Fig. 10	45
651-00321-003	SPACER; WSB-315SPE	10	Fig. 31	16
651-11001-000	CAP NUT TYPE F WS-5x5	2	Fig. 12	13

INDEX

Part No.	Part Name	Q'ty	Fig.	No.
660-00002-004	MAGNET CATCH ; SM50-P	1	Fig. 02	37
660-00002-004	MAGNET CATCH ; SM50-P	2	Fig. 34	10
660-05112-100	CATCH; TL-117	2	Fig. 34	3
665-04054-005	SQUARE BUSHING;SB-2718	1	Fig. 18	8
665-04068-200	EDGING SADDLE;TSB-1909L	2	Fig. 09	6
699-04003-107	SHEET; FRONT DOOR DET. SENSOR	1	Fig. 19	11