



[Compliance and Copyright](#)

[Safety Notes](#)

[Setting Up the Letter Opener](#)

[Meet the DL50 Letter Opener](#)

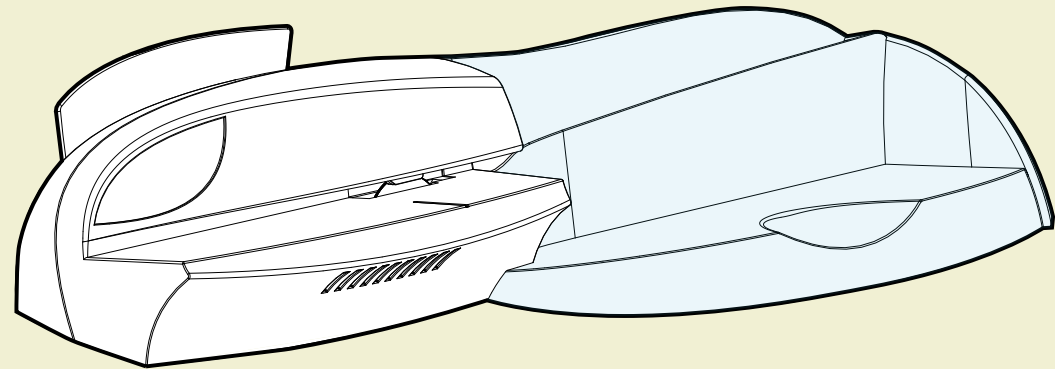
[Opening an Envelope](#)

[Maintenance and  
Troubleshooting](#)

[Specifications](#)

[Getting Help](#)

## ***DL50™ Letter Opener***



**Operator Guide  
International English Edition**

[Print](#)

[Exit](#)

## NOTICE

The use of this information by the recipient or others for purposes other than the repair, adjustment or operation of Pitney Bowes equipment may constitute an infringement of patent and/or other intellectual property rights of Pitney Bowes or others. Pitney Bowes assumes no responsibility for any such use of the information.

Except as provided in writing, duly signed by an officer of Pitney Bowes, no license, either express or implied, under any Pitney Bowes or any third party's patent, copyright, or other intellectual property rights is granted by providing this information.

SV62218 Rev. A

First Edition, September, 2008.

©2008 Pitney Bowes Inc. All rights reserved.

This book may not be reproduced in whole or in part in any fashion or stored in a retrieval system of any type or transmitted by any means, electronically or mechanically, without the express written permission of Pitney Bowes. We have made every reasonable effort to assure the accuracy and usefulness of this manual, however we can not assume responsibility for errors or omissions or liability for the misuse or misapplication of our products.

DL50 and Pitney Bowes Supply Line are trademarks or registered trademarks of Pitney Bowes, Inc.

## Approvals Electromagnetic Compatibility

### United States

**NOTE:** This equipment has been tested and found to comply with the limits for a Class B digital device, pursuant to part 15 of the FCC rules. These limits are designed to provide reasonable protection against interference in a residential installation. This equipment generates, uses, and can radiate radio frequency energy and, if not installed and used in accordance with the instruction manual, may cause interference to radio communications. However, there is no guarantee that interference will not occur in a particular installation. If this equipment does cause interference to radio or television reception, which can be determined by turning the equipment off and on, the user is encouraged to try to correct the interference by one or more of the following measures:

- Reorient or relocate the receiving antenna.
- Increase the separation between the equipment and receiver.
- Connect the equipment into an outlet on a circuit different from that to which the receiver is connected.
- Consult the dealer or an experienced radio/TV technician

**CAUTION:** Changes or modifications to this equipment not expressly approved by the party responsible for compliance (Pitney Bowes) could void the user's authority to operate the equipment.

### Canada

This Class B digital apparatus complies with Canadian ICES-003. Cet appareil numérique de la classe B est conforme à la norme NMB-003 du Canada.

### European Union (CE)



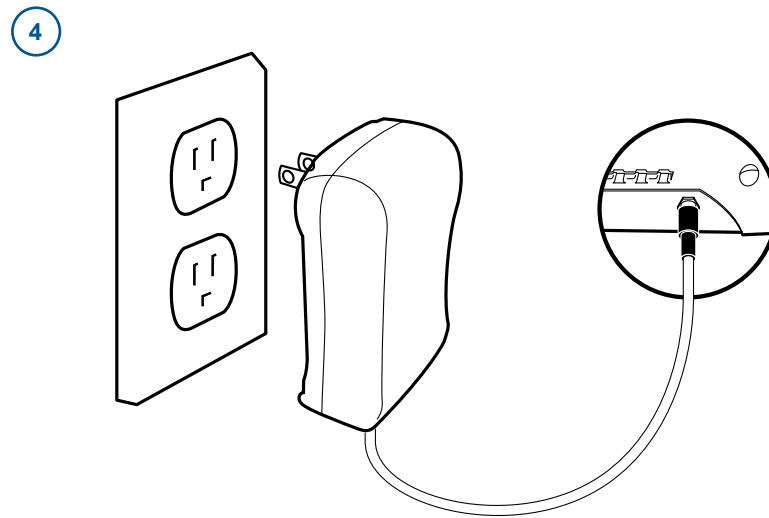
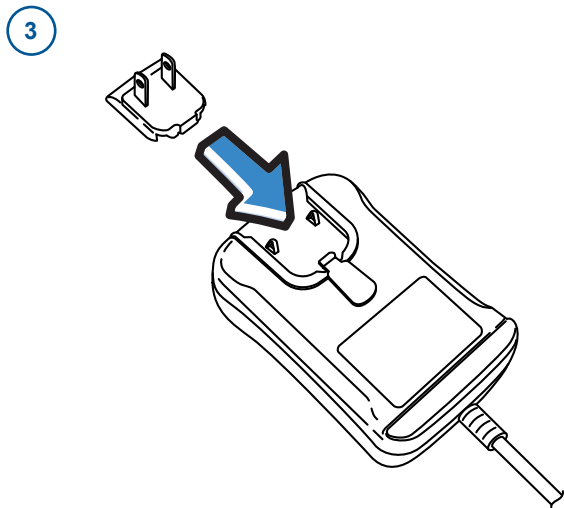
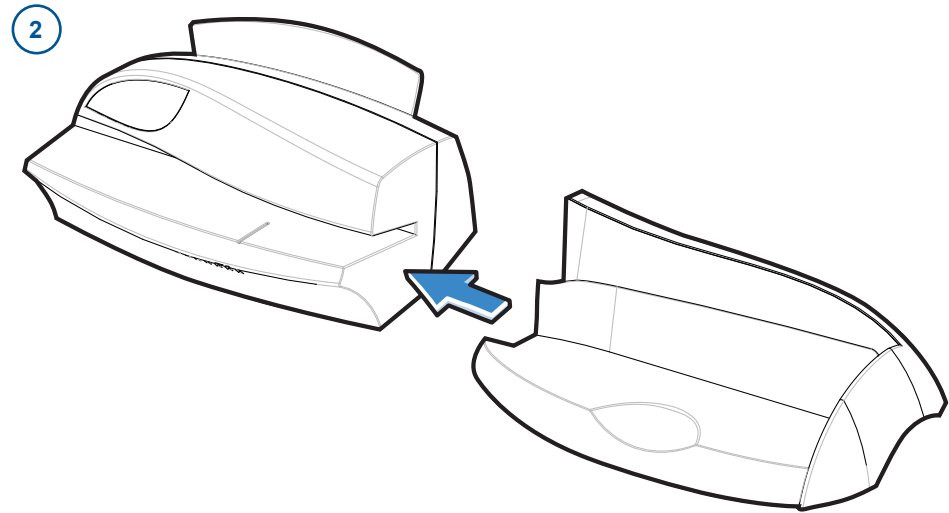
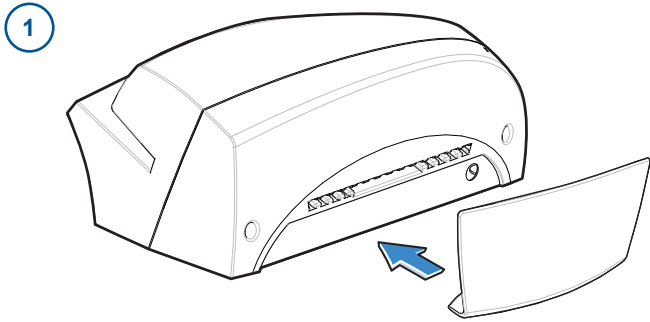
It is certified that this product complies with all applicable Directives of the European Union.

Use only the AC Power Adapter supplied with the product. For a formal Declaration of Conformity please contact Pitney Bowes Compliance Engineering Department, Pitney Bowes Limited, Elizabeth Way, Harlow, Essex CM19 5BD England. Telephone +44 (0)1279 426731

Follow the normal safety precautions for all office equipment:

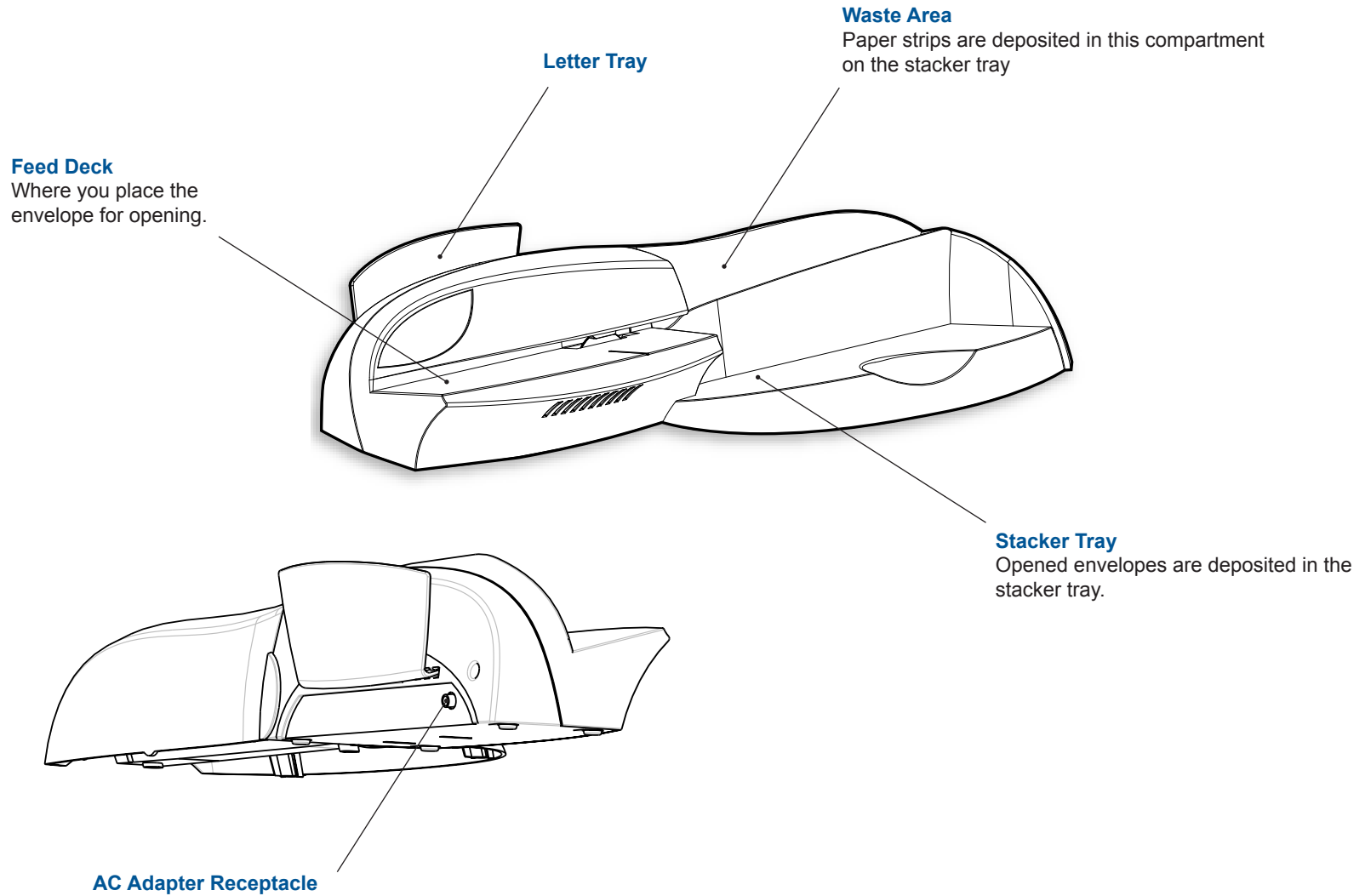
- Use only Pitney Bowes approved supplies, in particular aerosol dusters. Improper storage and use of aerosol dusters or flammable aerosol dusters, can cause an explosive-like condition that could result in a personal injury and/or property damage. Never use aerosol dusters labeled flammable and always read instructions and safety precautions on the duster container label.
- Material Safety Data Sheets can be obtained on the web or from our Supply Line™. Refer to the Contact Information List for more information.
- Avoid touching moving parts or materials while the machine is in use. Keep hands, loose clothing, jewelry and long hair away from all moving parts.
- Do not remove covers or defeat safety interlock switches. Covers enclose hazardous parts that should only be accessed by properly trained service personnel. Immediately report to service any damaged or non-functioning components that renders the unit unsafe.
- Place the unit in an accessible location to allow for proper venting of the equipment and to facilitate servicing.
- Use the AC adaptor/power supply included with this letter opener. Third-party adaptors may damage the letter opener.
- Connect the AC adaptor into a wall outlet located near the machine and easily accessible.
- The AC adaptor is the primary means to disconnect the machine from the AC power source.
- Do not route the AC adaptor cords over sharp edges or trapped between furniture.
- Be certain the area in front of the wall outlet into which the AC adaptor is connected is free from obstruction.
- Before clearing a jam, be sure machine mechanisms come to a stop.
- When removing jammed material, avoid using too much force to protect against minor personal injury and damaging equipment.
- To prevent overheating, do not cover the vent openings.
- Avoid using wall outlets that are controlled by wall switches, or shared with other equipment. If a wall outlet controlled by a wall switch is used, mail could be interrupted if the letter opener is plugged in when the wall switch is used to turn power off.
- Operation of this equipment without periodic maintenance will inhibit optimum operating performance and could cause the equipment to malfunction. Contact your machine supplier for required service schedule.
- Read all instructions before attempting to operate the equipment.
- Use this equipment only for its intended purpose.
- Always follow the specific occupational safety and health standards for your workplace.

**IMPORTANT:** Please review the Safety Notes before setting up the DL50.



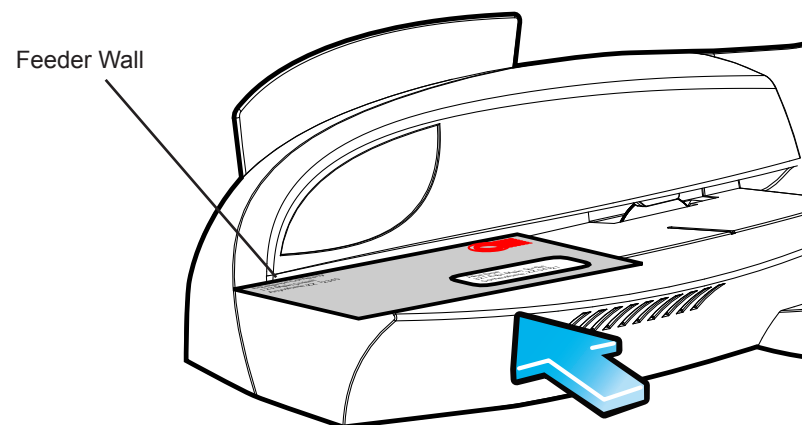
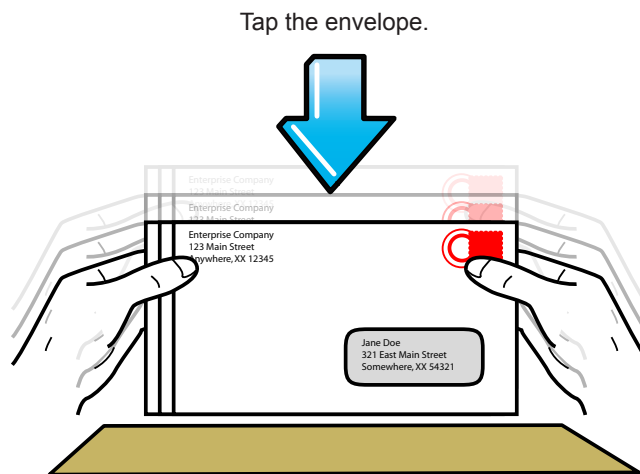
NOTE: Attach the appropriate adapter.

The DL50 Letter Opener cleanly opens an envelope by cutting a thin paper strip off of the top. The DL50 then stacks the envelope, and separates the paper strips into the waste area on the stacker tray.



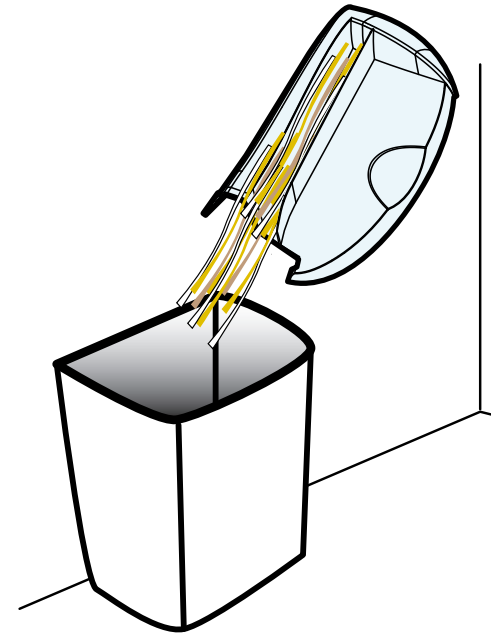
Follow the steps below to open an envelope.

1. Tap the envelope so that contents fall away from the edge of the envelope to be opened.  
**IMPORTANT:** Make sure that coins, staples, paper clips, or other objects that may damage the knives of the letter opener are tapped away from the edge of the envelope to be opened.
2. Place the envelope on the feed deck so the edge to be opened is against the feeder wall.
3. Slide the envelope to the right. The letter opener will open the envelope and deposit it in the stacker tray.



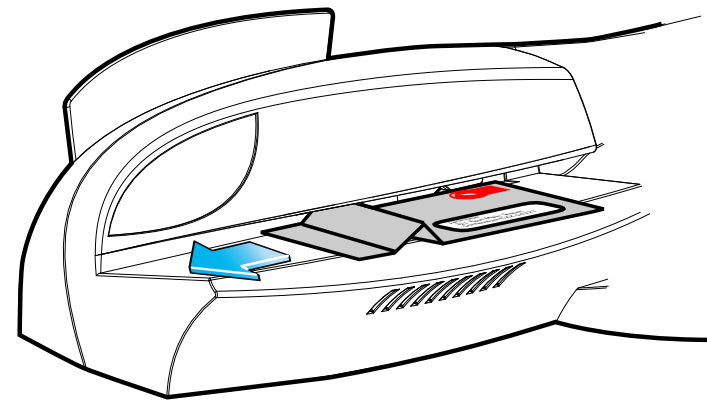
### ***Emptying the Stacker Tray***

Remove the stacker tray and empty the waste area frequently, as a large accumulation of paper strips can interfere with proper operation of the letter opener.



### ***Clearing a Jam***

1. Unplug the power cord to stop the letter opener from running.
2. Remove the envelope by pulling back to the left.
3. Plug the power cord back in to resume processing mail.



**Equipment Specifications**

Physical Dimensions	<i>With Stacker Tray</i> Height: 4.53 in. (11.5 cm) Depth: 9.84 in. (25 cm) Length: 23.6 in. (60 cm)	<i>Without Stacker Tray</i> Height: 4.53 in. (11.5 cm) Depth: 7.09 in. (18 cm) Length: 10.6 in. (27 cm)
Weight	<i>With Stacker Tray</i> 3.02 lbs. (1370g)	<i>Without Stacker Tray</i> 2.16 lbs. (980g)
Electrical	100-240 VAC, 50/60 Hz	
Acoustical Noise	64 dBA	
Throughput	Up to 20 letters per minute	
Product Life	5 years or 20,000 cycles	
Environmental Limits	<p><i>Operating Limits °F (°C)</i>                      Temperature: 55 (13) to 95 (35)                      Humidity: 8% to 95%                      Maximum Wet Bulb Temperature: 80 (27)</p> <p><i>Storage Limits °F (°C)</i>                      Temperature: 15 (-9) to 120 (49)                      Humidity: 5% to 95%                      Maximum Wet Bulb Temperature: 85 (29)</p> <p><i>Transit (&gt;24h) Limits °F (°C)</i>                      Temperature: -40 (-40) to 140 (60)                      Humidity: 5% to 100%                      Maximum Wet Bulb Temperature: 85 (29)</p>	

**Material Specifications**

Envelope Size	Min.: 3 in. (76.2 mm) x 5 in. (127 mm) Max.: 10.24 in. (260 mm) x 12.99 in. (330 mm)
Envelope Thickness	Min.: 0.008 in. (0.20 mm) Max.: 0.24 in. (6 mm)



### ***USA Contacts***

Product Name - DL50

- For frequently asked questions, go to: **www.pb.com** and click on **Customer Support**.
- To place requests for service or training, go to: **www.pb.com** and click on **My Account**.
- To view and pay invoices online, go to: **www.pb.com** and click on **My Account**.
- To view inventory, go to: **www.pb.com** and click on **My Account**.
- For direct questions, call: **1.800.522.0020**. Customer Service Representatives are available Monday through Friday, 8:00 AM - 8:00 PM ET.

### ***Canada Contacts***

Product Name - DL50

- For frequently asked questions or to order supplies, go to: **www.pitneybowes.ca**
- For direct questions, call: **1.800.672.6937**. Customer Service Representatives are available Monday through Friday, 8:30 AM - 4:00 PM ET.

### ***Other Country Contacts***

Contact information is given in a separate publication supplied with the product.